



# ZELDA WIDESPREAD FAUCET INSTALLATION

## BEFORE YOU BEGIN

We recommend consulting a professional if you are unfamiliar with installing plumbing fixtures. Signature Hardware accepts no liability for any damage to the faucet, plumbing, sink, counter top, or for personal injury during installation.

Observe all local plumbing and building codes.

Unpack and inspect the faucet for damage. If any damage is found, contact our Customer Relations team at 1-866-855-2284.

## GETTING STARTED

- Ensure that you have gathered all the required materials that are needed for the installation.
- For these instructions, it is assumed that the old faucet has been completely removed and any necessary repairs or modifications to the water supply have been completed.

## TOOLS AND MATERIALS:



Plumbers Tape



Thread Sealant



Phillips Screwdriver



Adjustable Wrench



Small Bucket

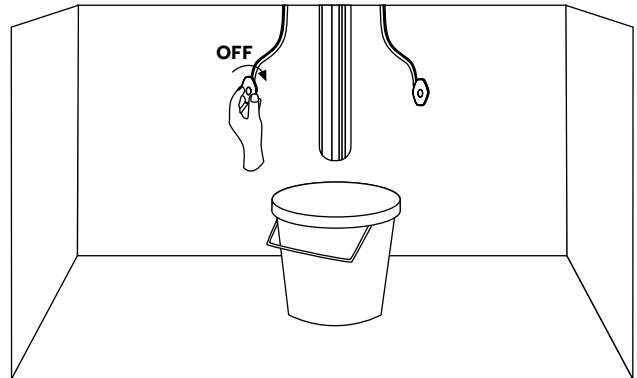


Basin Wrench

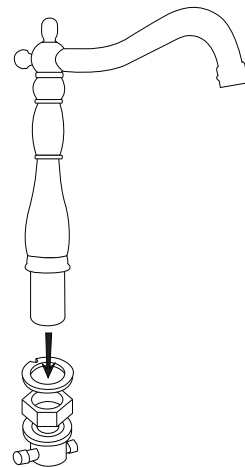
## INSTALLATION

1. Ensure that the water supply below your sink is completely shut off by turning the shutoff valves all the way to the right.

**Tip:** Place a small bucket below your workspace to catch any water that may drip during the installation process.



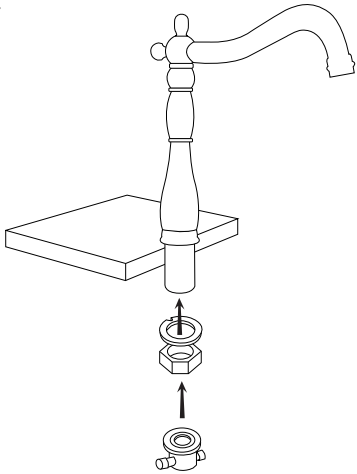
2. Remove the T-connector, lock nut, metal washer, and rubber washer from the spout's threaded shank. Set the spout into the center faucet hole.



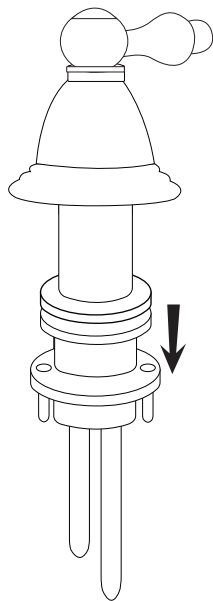


# ZELDA WIDESPREAD FAUCET INSTALLATION

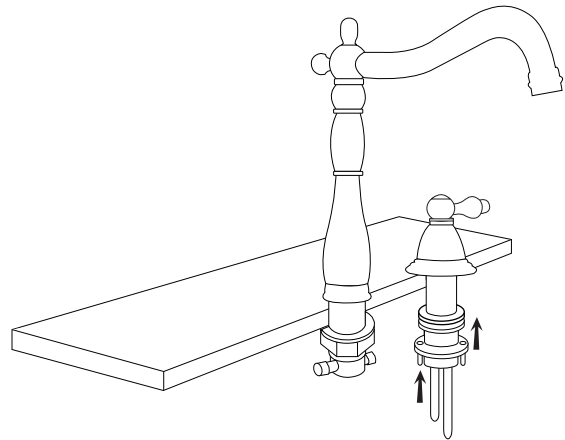
3. From below, slide the rubber washer followed by the metal washer back onto the threaded shank. Secure using the lock nut, then reattach the T-connector. Tighten firmly using a basin wrench or adjustable wrench.



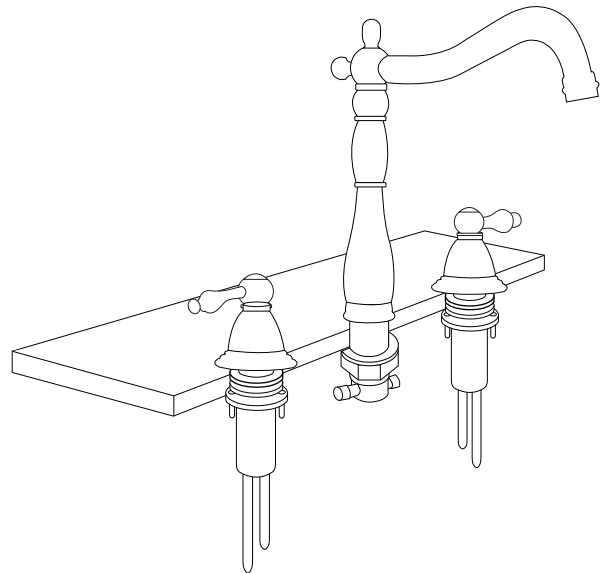
4. Remove the lock nut, metal washer, and rubber washer from the valve stem labeled 'cold.' Insert the stem into the faucet hole on the right.



5. From below, slide the rubber washer back onto the valve stem followed by the metal washer. Secure the stem by hand-tightening the lock nut. Firmly tighten the screws on the lock nut using a Phillips screwdriver.



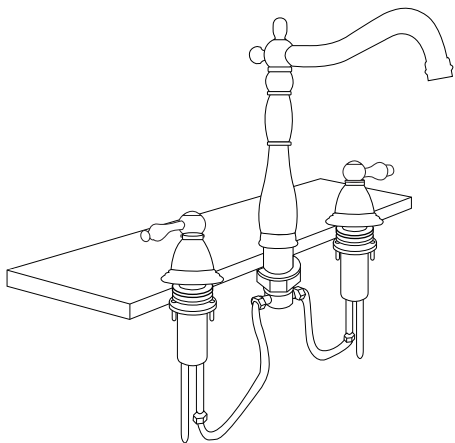
6. Repeat steps 4 and 5 for installing the 'hot' valve stem into the left faucet hole.



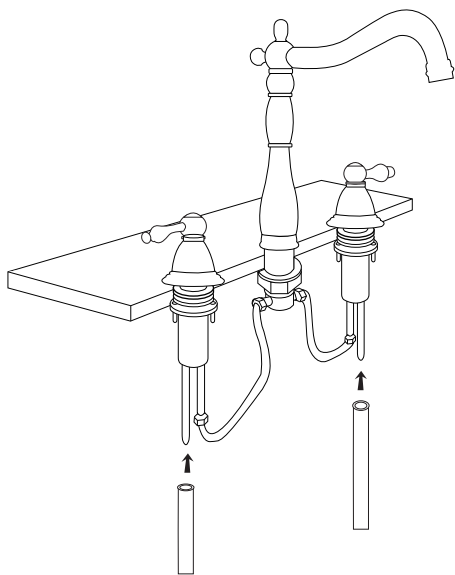


## ZELDA WIDESPREAD FAUCET INSTALLATION

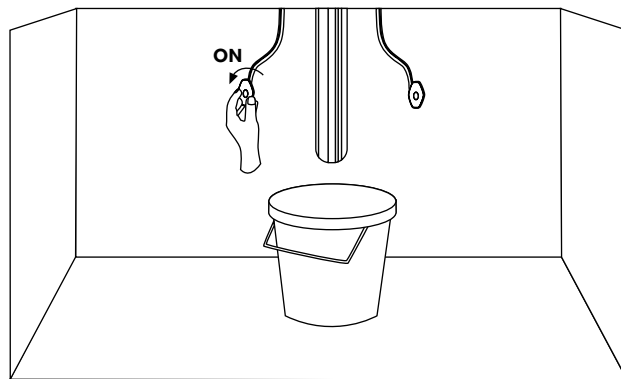
7. Use the provided braided water lines to connect the valve stems to the T-connector on the spout. Use an adjustable wrench to tighten, but be careful not to overtighten. Apply thread sealant or plumber's tape to each threaded connection before attaching.



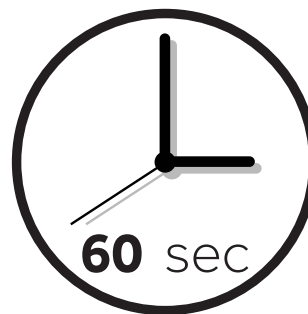
8. Attach the main water lines to the valve stems. Use an adjustable wrench to tighten, but be careful not to overtighten. Apply thread sealant or plumber's tape to each threaded connection.



9. Once installation is complete, turn the main water supply back on. Check for any leaks underneath.



10. Proceed to sink drain installation. Once the drain is installed, turn the faucet on for approximately 60 seconds. Check for any leaks. Test both hot and cold water to ensure they are running properly.

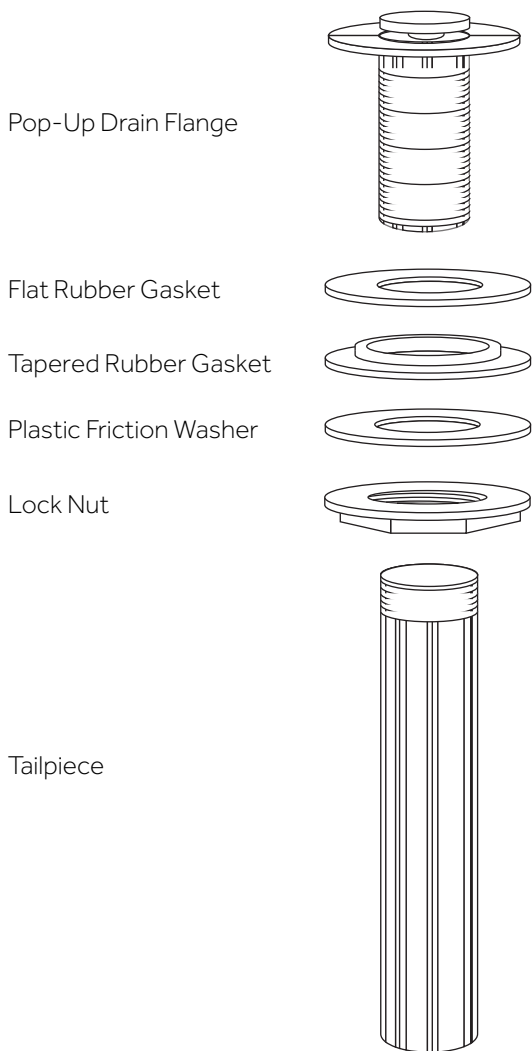




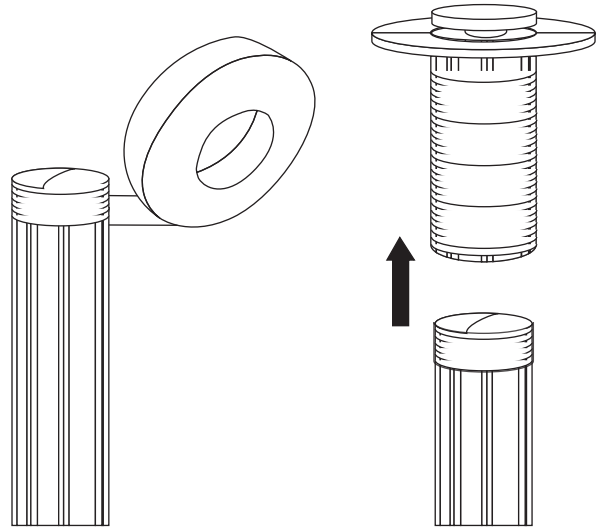
# ZELDA WIDESPREAD FAUCET INSTALLATION

## DRAIN INSTALLATION

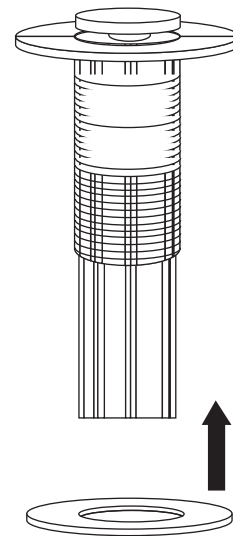
1. Dissassemble the drain assembly and lay the parts aside, in the same order they were removed. See the illustration below as a reference if needed.



2. Apply plumber's tape to the threading on the tailpiece, then reattach the tail piece to the pop-up drain flange.



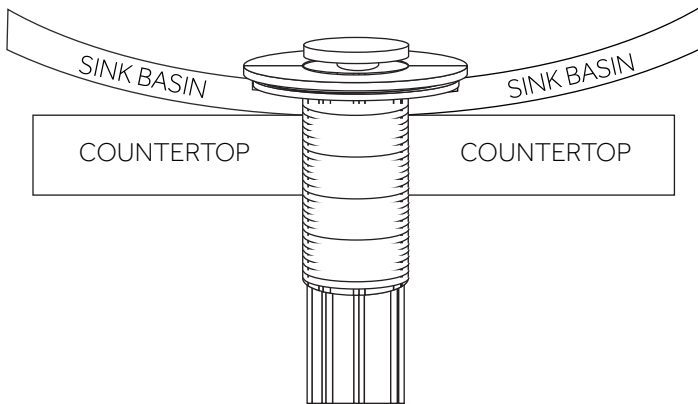
3. Slide the flat rubber gasket up the tailpiece until it meets the lip of the pop-up drain flange.



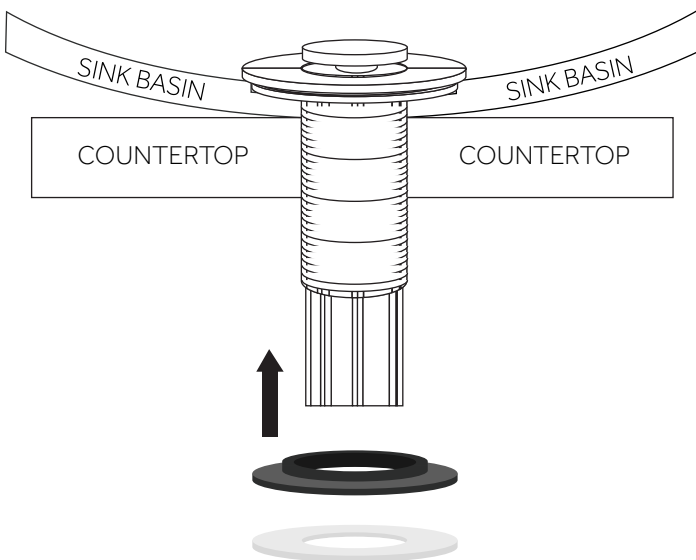


# ZELDA WIDESPREAD FAUCET INSTALLATION

4. Insert the drain flange and tailpiece through the top of your sink's drain hole.



5. From under your counter, slide the tapered rubber gasket followed by the plastic friction washer onto the tailpiece until they meet your sink or countertop. Be sure that the tapered side of the rubber washer is facing up.



6. Thread the lock nut onto the drain flange. Hand tighten until secure, then finish tightening with a basin wrench once the drain is properly aligned.

**Important:** Be careful not to overtighten, which could crack a porcelain sink or stone countertop.

