



VINTAGE WALL-MOUNT FAUCET INSTALLATION

BEFORE YOU BEGIN

We recommend consulting a professional if you are unfamiliar with installing bathroom fixtures and plumbing. Signature Hardware accepts no liability for any damage to the floor, walls, plumbing, or personal injury during installation.

For the following installation instructions, it is assumed that any old fixture has been removed and the main water supply is prepared for faucet installation.

Unpack and inspect the item for damage. If any damage is found, contact our Customer Relations team at 1-866-855-2284.

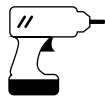
GETTING STARTED

- Ensure that you have gathered all of the required materials that are needed for the installation.
- Shut off the main water supply where the new faucet is being installed.

TOOLS AND MATERIALS:



Plumber's Tape



Drill



Thread Sealant



Tape Measure



Level

Hex Wrench
(provided)Phillips
ScrewdriverShort Deck
Screws

PLANNING

Use the faucet's PDF specification sheet as a reference when planning your installation. The specification sheet can be found and downloaded from the product page on our website.

Because the faucet specification measurements are approximate and slight variations may occur, we highly recommend performing any rough-in procedures with the faucet on site.

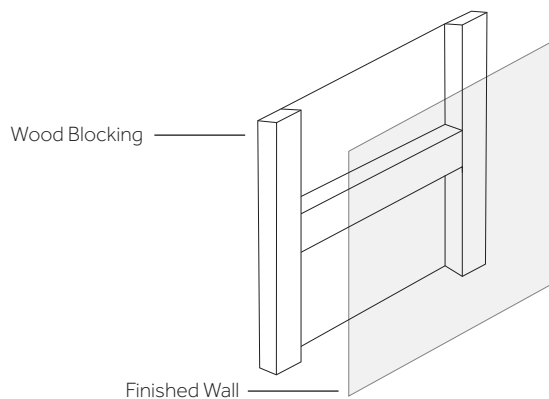


VINTAGE WALL-MOUNT FAUCET INSTALLATION

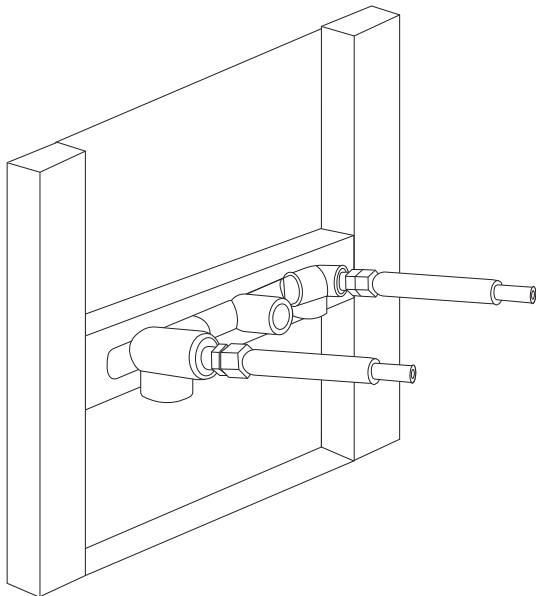
INSTALLATION

1. Prepare for installation by installing wood blocking between the two studs where the faucet will mount.

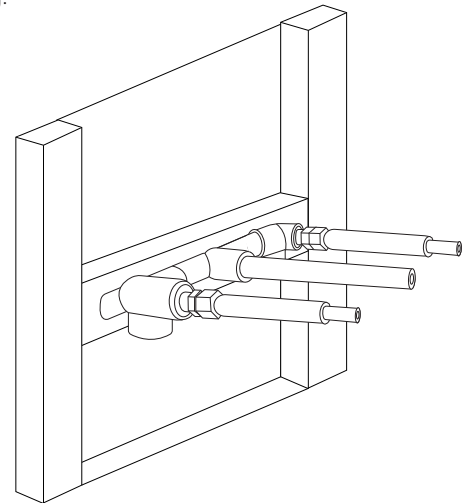
Important: Take into consideration the thickness of your finished wall materials, such as tile and cement board, when calculating measurements.



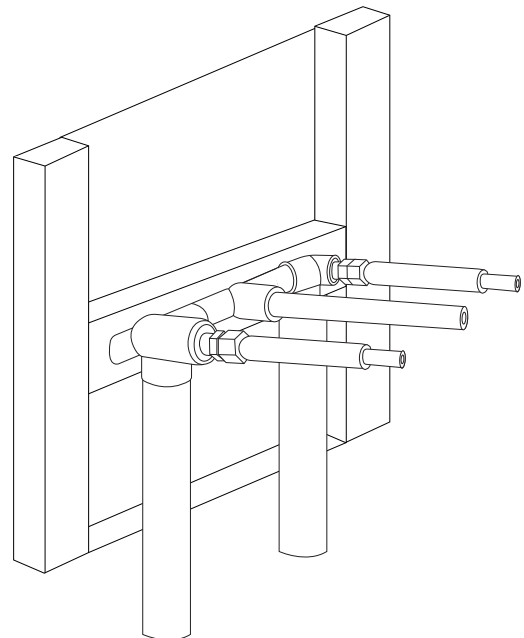
2. Mount the valve body in its prepared location. Attach the valve body to the wood blocking using short deck screws. Use a level to ensure that the valve is mounted straight.



3. Thread the spout's supply tube into the center valve outlet. Tighten firmly using an adjustable wrench. Apply plumber's tape or thread sealant to the threads before attaching.



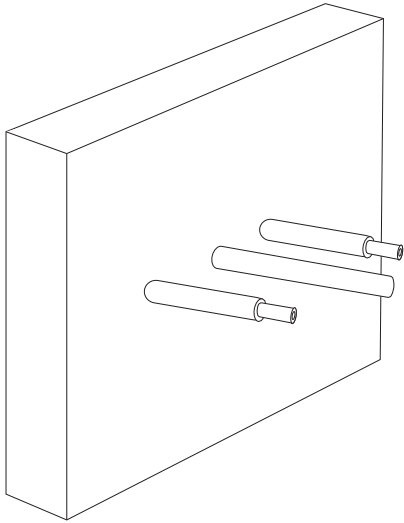
4. Connect the water lines to the faucet body. Use plumber's tape or thread sealant to ensure a watertight connection. If soldering copper pipe, consult a professional.





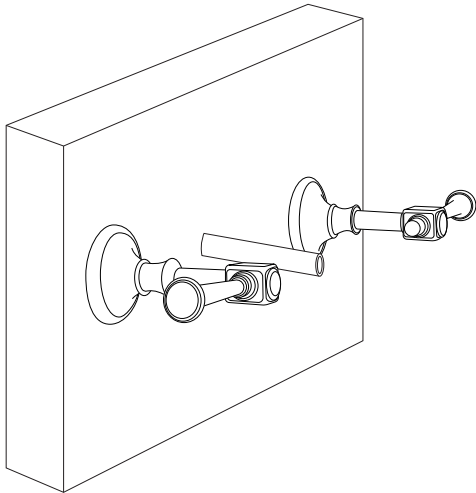
VINTAGE WALL-MOUNT FAUCET INSTALLATION

5. Complete the construction of your wall before moving on. Once your finished wall has been completed, proceed to step 6.



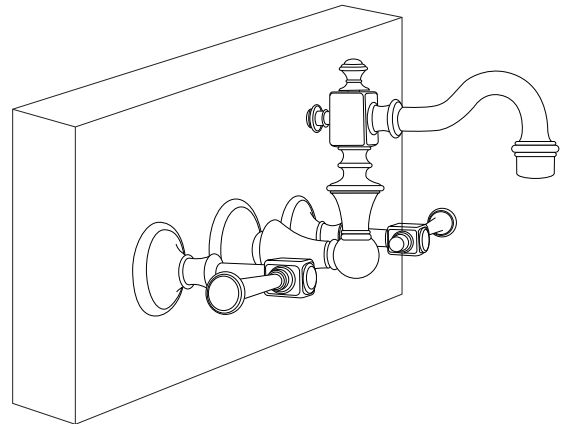
6. Once your finished wall has been completed, attach the faucet handles to the installed stems. Slide the handle onto its corresponding stem, then thread the base onto the stem until hand-tight.

Important: If the base of the handle does not reach the wall, the stem can be trimmed to size.

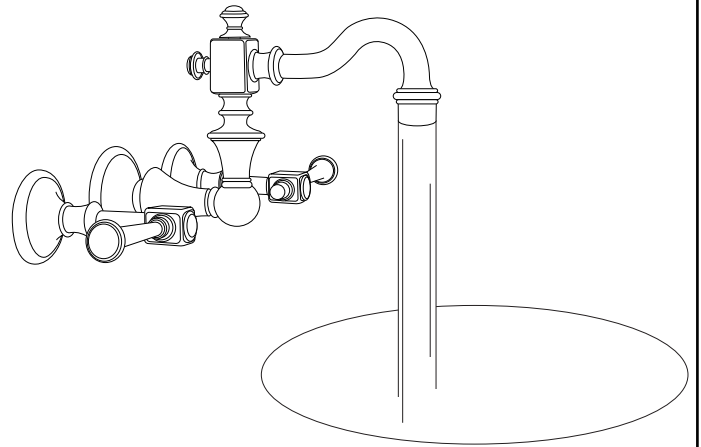


7. Attach the spout by sliding it onto the installed supply tube. Once in place, tighten the set screw on the bottom of the spout using the provided hex wrench.

Important: If the base of the spout does not reach the wall, the supply tube can be trimmed to size.



8. Proceed to drain installation. Once installation of the drain is complete, turn on the main water supply. Turn the water on to allow any dust or loose sediment to clear the system. Allow the water to flow through the spout for approximately 60 seconds. Check for leaks. Reattach the aerator once testing is complete.

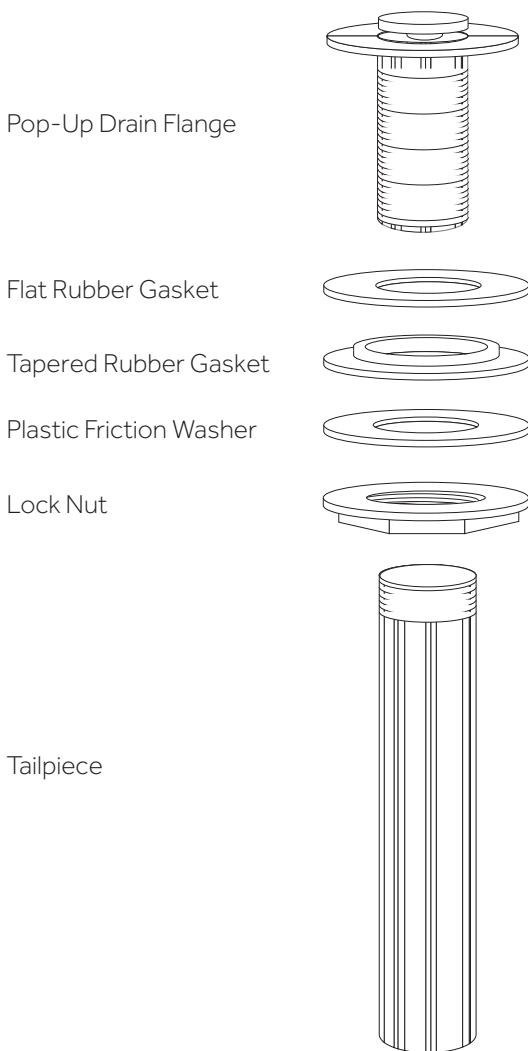




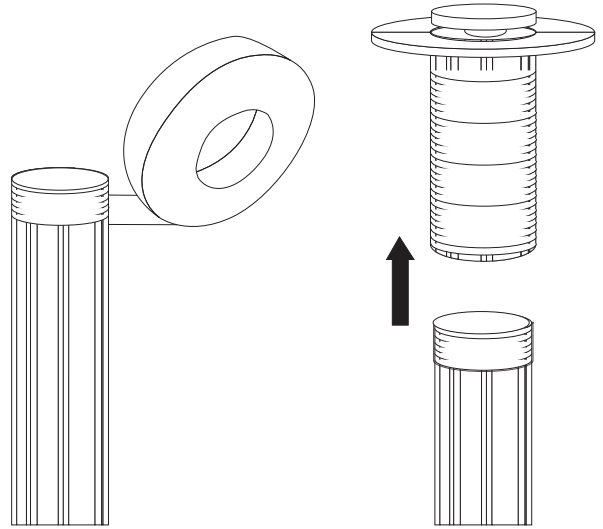
VINTAGE WALL-MOUNT FAUCET INSTALLATION

DRAIN INSTALLATION

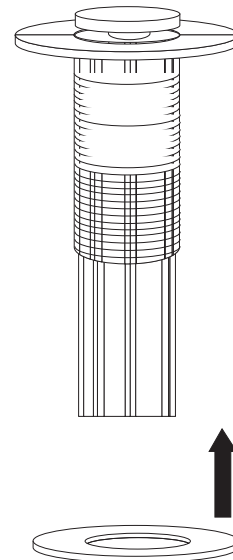
1. Dissassemble the drain assembly and lay the parts aside, in the same order they were removed. See the illustration below as a reference if needed.



2. Apply plumber's tape to the threading on the tailpiece, then reattach the tail piece to the pop-up drain flange.



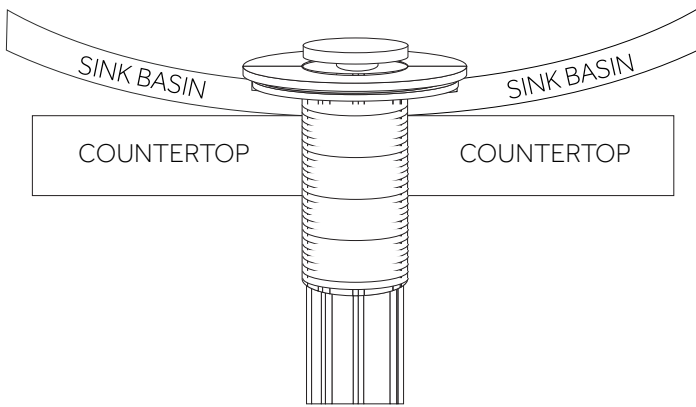
3. Slide the flat rubber gasket up the tailpiece until it meets the lip of the pop-up drain flange.



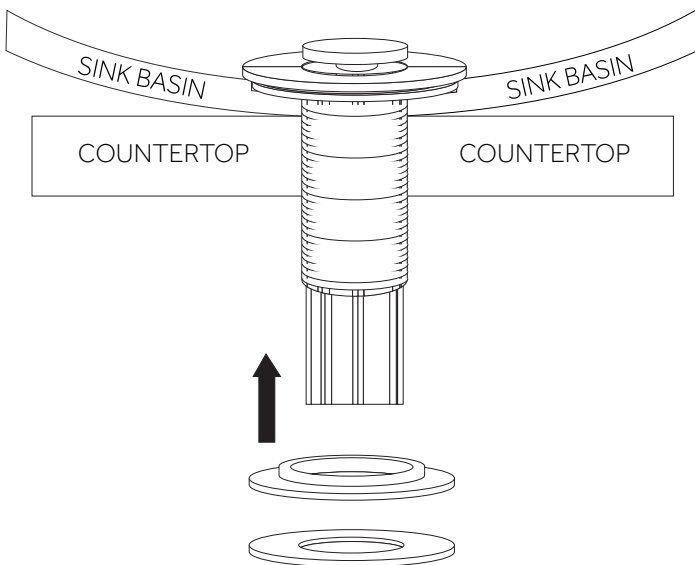


VINTAGE WALL-MOUNT FAUCET INSTALLATION

4. Insert the drain flange and tailpiece through the top of your sink's drain hole.



5. From under your counter, slide the tapered rubber gasket followed by the plastic friction washer onto the tailpiece until they meet your sink or countertop. Be sure that the tapered side of the rubber washer is facing up.



6. Thread the lock nut onto the drain flange. Hand tighten until secure, then finish tightening with a basin wrench once the drain is properly aligned.

Important: Be careful not to overtighten, which could crack a porcelain sink or stone countertop.

