



# SHOWER PANEL INSTALLATION INSTRUCTIONS

## BEFORE YOU BEGIN

We recommend consulting a professional if you are unfamiliar with installing plumbing fixtures. Signature Hardware accepts no liability for any damage to the plumbing, floor, walls, tub, or for personal injury during installation.

Observe all local plumbing and building codes.

Unpack and inspect the item for shipping damage. If any damage is found, contact our Customer Relations team at 1-866-855-2284.

---

## GETTING STARTED

- Ensure that you have gathered all the required materials that are needed for the installation.
- Before you begin, the main water supply to your home should be shut off.

## TOOLS AND MATERIALS:



Plumbers  
Tape



Tape Measure



Level



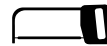
Adjustable  
Wrench



Drill



Pencil or  
Marker



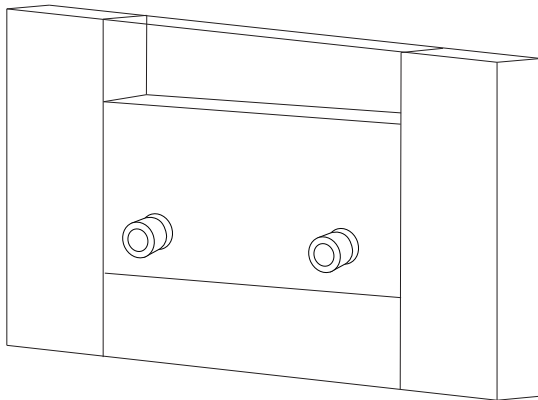
Hacksaw



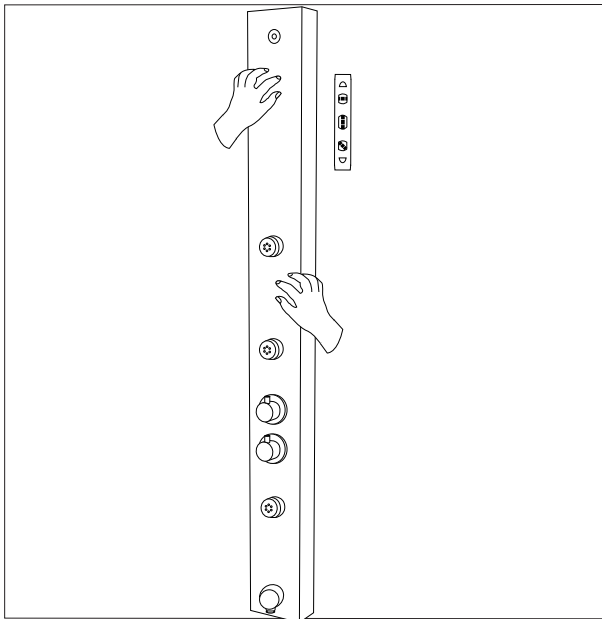
# SHOWER PANEL INSTALLATION INSTRUCTIONS

## INSTALLATION

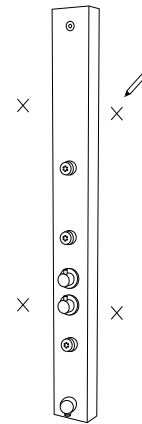
1. Before installation, complete the in-wall plumbing. The hot and cold water lines should be prepared 4"-5" on-center. Male fittings will be needed to make the connection to the shower panel's water lines.



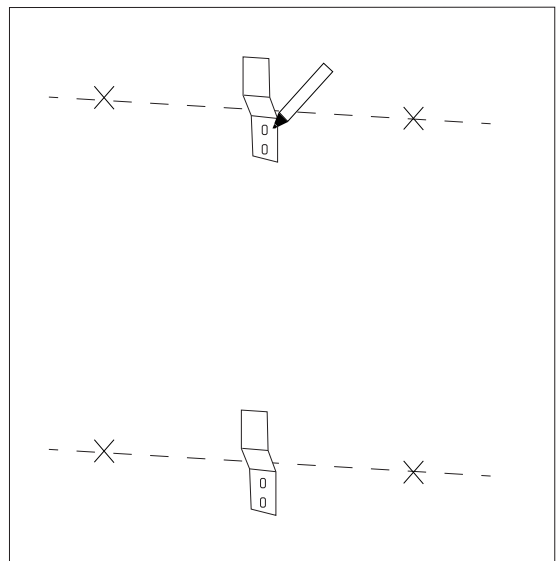
2. With the assistance of another person, hold the shower panel up to the wall at the desired mounting location. Use a level to ensure that the shower panel is aligned straight.



3. Once properly positioned, mark the location of the mounting brackets on the wall. Use the decorative screw covers on the sides of the shower panel as a reference. Make a small mark on each side of the panel, then set the shower panel aside. Draw a horizontal line from one mark to the next, using a level for guidance.



4. Hold the provided mounting brackets up to the marked locations on the wall. Center each of the mounting brackets on their marked horizontal lines and mark the locations of the mounting holes on the wall.

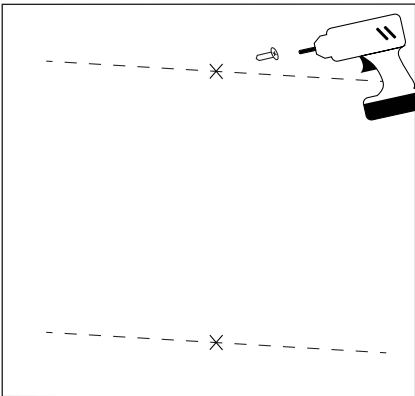




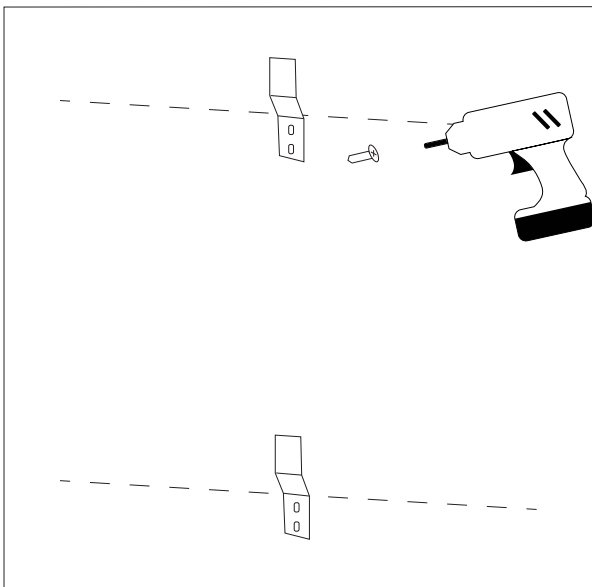
# SHOWER PANEL INSTALLATION INSTRUCTIONS

5. Drill pilot holes into the wall at the marked mounting hole locations. Insert one of the provided anchors into each of the holes.

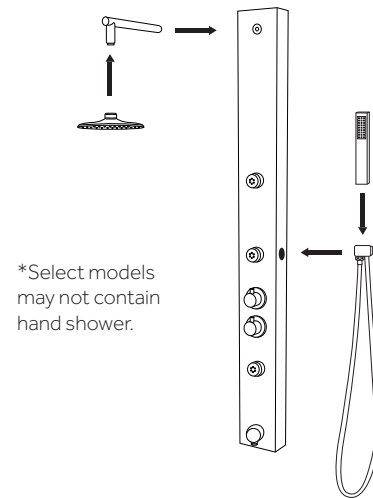
**Important:** If drilling through tile, you must use a masonry drill bit. Drill very carefully to avoid cracking the tile.



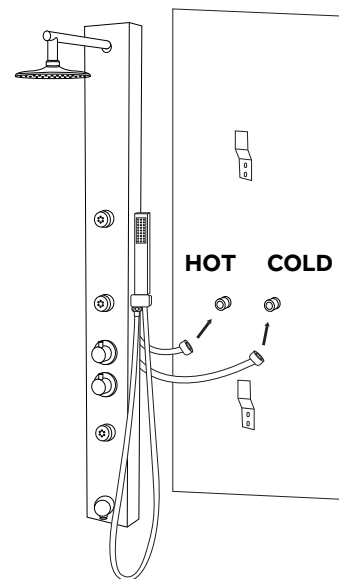
6. Attach the mounting bracket to the wall as shown, using the provided screws.



7. Attach the shower arm, shower head, hand shower cradle, hand shower hose, and hand shower to the panel. Apply plumber's tape to all threaded connections and tighten firmly with an adjustable wrench.



8. Connect the shower panel's water lines to their installed male fittings on the wall. Ensure that you are connecting the hot and cold lines appropriately. Apply plumber's tape to the threads before attaching. Tighten using an adjustable wrench.





# SHOWER PANEL INSTALLATION INSTRUCTIONS

9. Hang the shower panel onto the installed mounting brackets. Once hung, Turn the panel on for testing. Check each shower function including shower head, body jets, and hand shower if applicable. Check for any leaks. Turn off once testing is complete.

