



RYLE WIDESPREAD FAUCET INSTALLATION

BEFORE YOU BEGIN

We recommend consulting a professional if you are unfamiliar with installing plumbing fixtures. Signature Hardware accepts no liability for any damage to the faucet, plumbing, sink, counter top, or for personal injury during installation.

Observe all local plumbing and building codes.

Unpack and inspect the faucet for shipping damage. If any damage is found, contact our Customer Relations team at 1-866-855-2284.

GETTING STARTED

- Ensure that you have gathered all the required materials that are needed for the installation.
- For these instructions, it is assumed that the old faucet has been completely removed and any necessary repairs or modifications to the water supply have been completed.

TOOLS AND MATERIALS:



Plumbers
Tape



Thread
Sealant



Phillips
Screwdriver



Adjustable
Wrench



Small
Bucket



Basin
Wrench

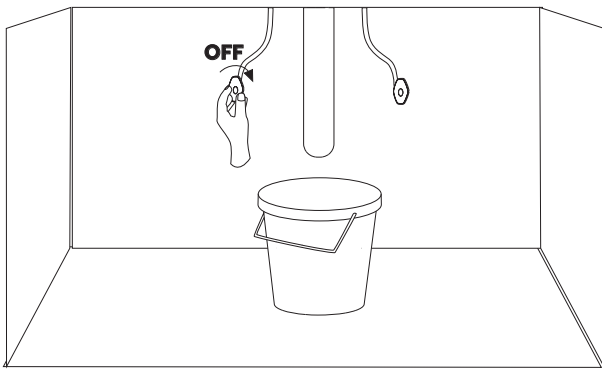


RYLE WIDESPREAD FAUCET INSTALLATION

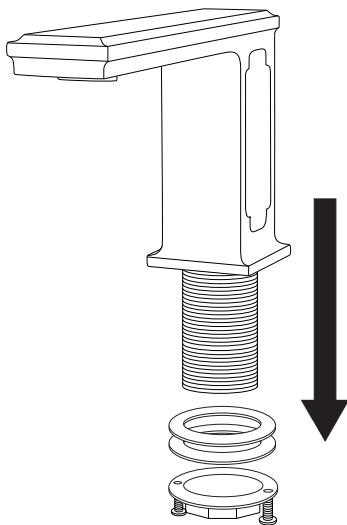
INSTALLATION

1. Ensure that the water supply below your sink is completely shut off by turning the valve all the way to the right.

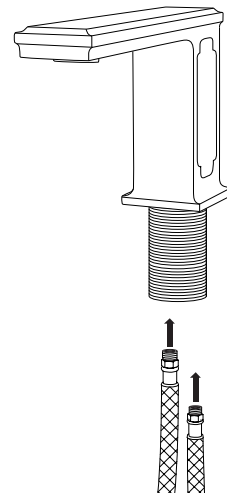
Tip: Place a small bucket below your workspace to catch any water that may drip during the installation process.



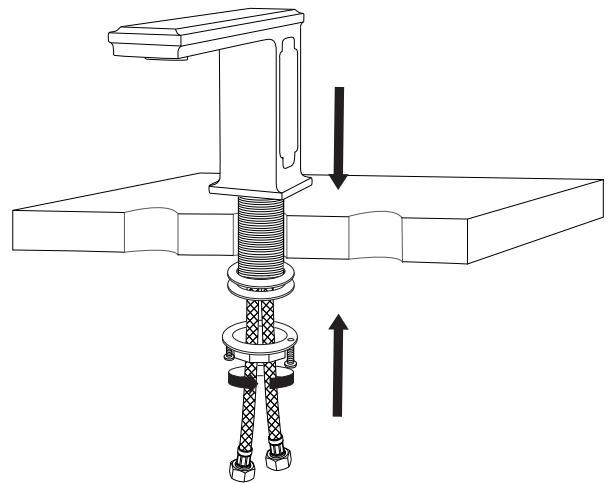
2. Remove the lock nut, metal washer, and rubber washer from the faucet spout.



3. Attach the provided braided water lines to the faucet. Tighten firmly, but be cautious not to overtighten.



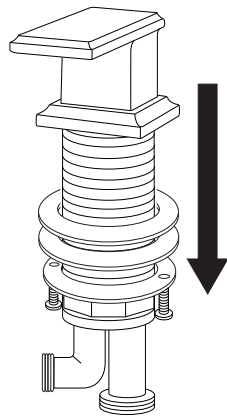
4. Insert the faucet into its prepared mounting hole. From below, slide the rubber washer and metal washer back onto the threaded shank. Hand tighten the lock nut firmly, then tighten the two screws attached to the lock nut with a screwdriver.



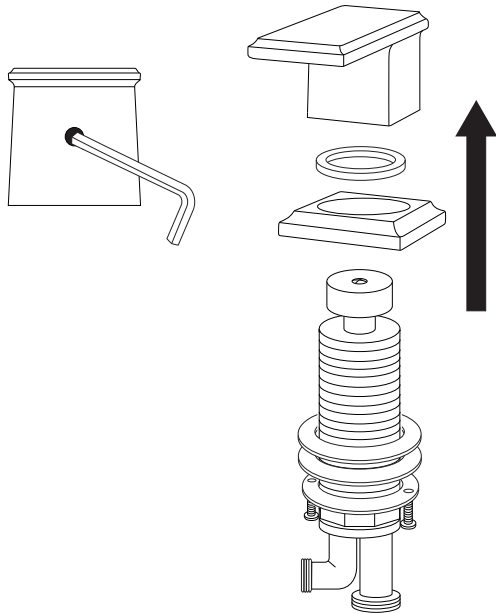


RYLE WIDESPREAD FAUCET INSTALLATION

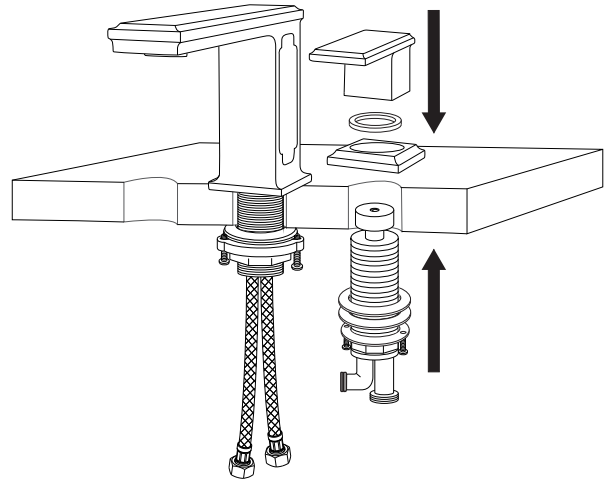
5. The faucet's valve stems are labeled by colored stickers – blue for cold and red for hot. On the cold valve stem, loosen the lock nut to its furthest point at the bottom of the stem. Slide the metal washer and rubber washer down as well.



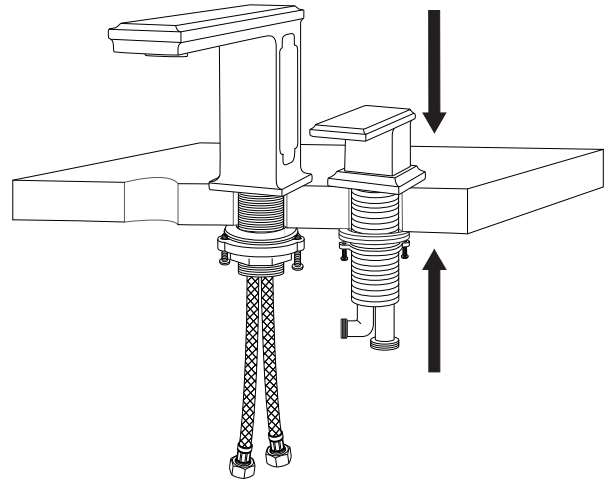
6. Remove the handle from the stem by loosening the set screw with the provided hex wrench, then pulling free. Remove the plastic friction ring, then unthread the handle base from the stem as well.



7. From below, insert the valve stem through the right-side faucet hole. From above the counter, reattach the handle assembly in the reverse order that it was removed.



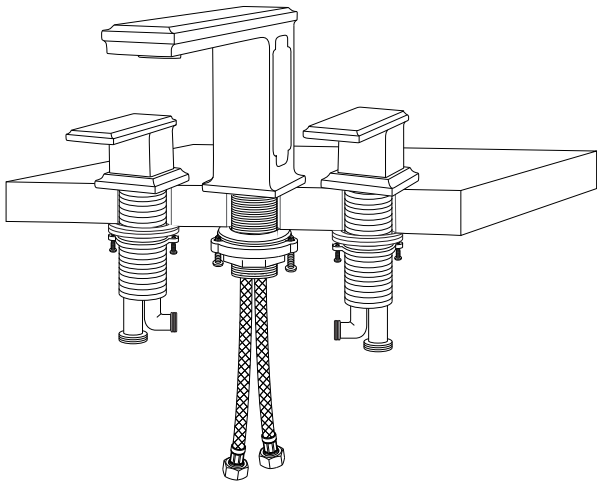
8. From below, position the stem so that the outlet on the side of the stem is pointing inward, towards the T-connector. While holding in place, hand tighten the lock nut firmly, then tighten the two screws attached to the lock nut with a screwdriver.



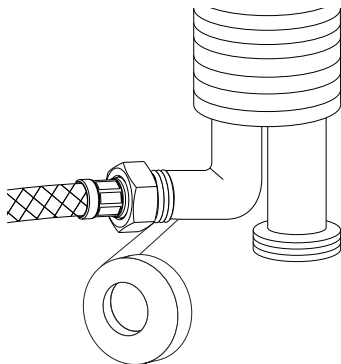


RYLE WIDESPREAD FAUCET INSTALLATION

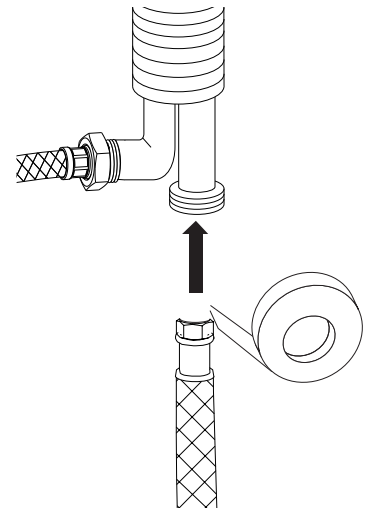
9. Repeat steps 6-8 to install the hot valve stem into the left-side faucet hole.



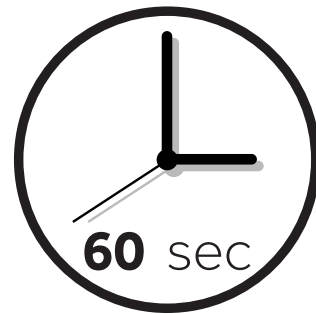
10. Connect the spout's braided water lines to their corresponding valve stem. Use an adjustable wrench to tighten, but be careful not to overtighten. Apply thread sealant or plumber's tape to each threaded connection before attaching.



11. Connect the main water supply lines to the valve stems. Apply plumber's tape or thread sealant to the threads before tightening.



12. Proceed to drain installation. Once completed, turn the faucet on and allow the water to flow for approximately 60 seconds. Ensure that there are no leaks, and that both hot and cold water are running properly.

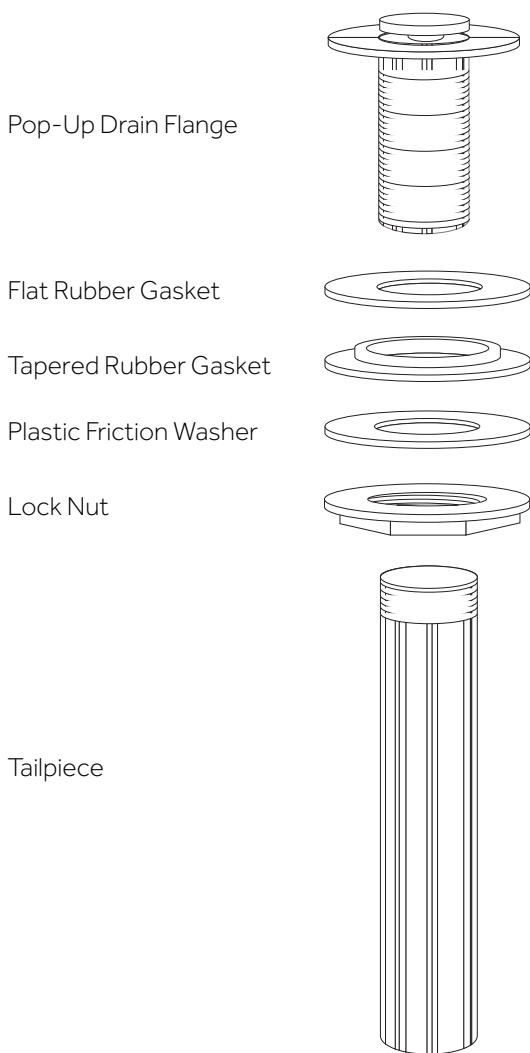




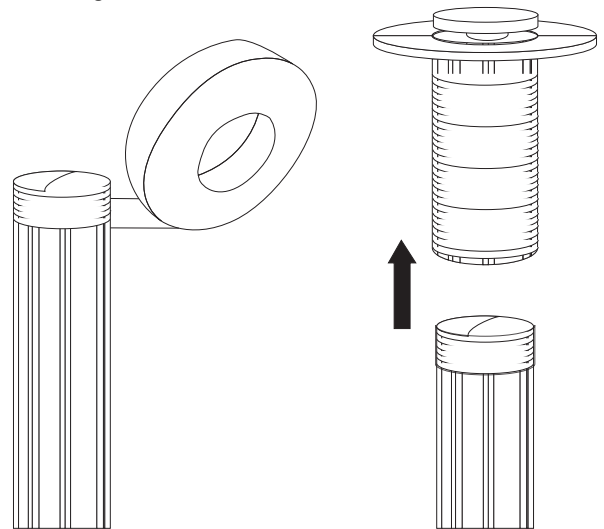
RYLE WIDESPREAD FAUCET INSTALLATION

DRAIN INSTALLATION

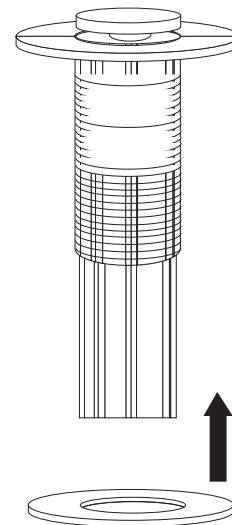
1. Dissassemble the drain assembly and lay the parts aside, in the same order they were removed. See the illustration below as a reference if needed.



2. Apply plumber's tape to the threading on the tailpiece, then reattach the tail piece to the pop-up drain flange.



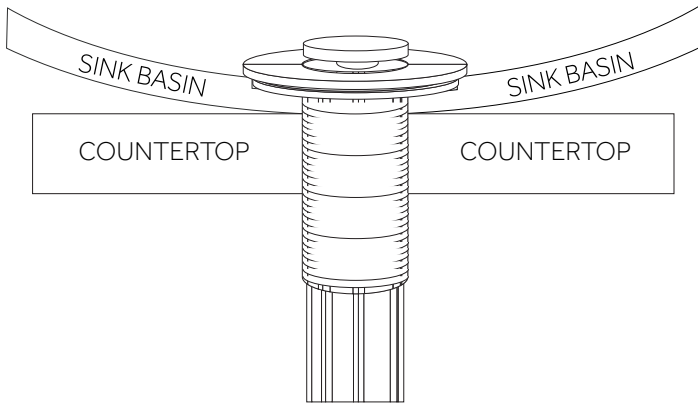
3. Slide the flat rubber gasket up the tailpiece until it meets the lip of the pop-up drain flange.



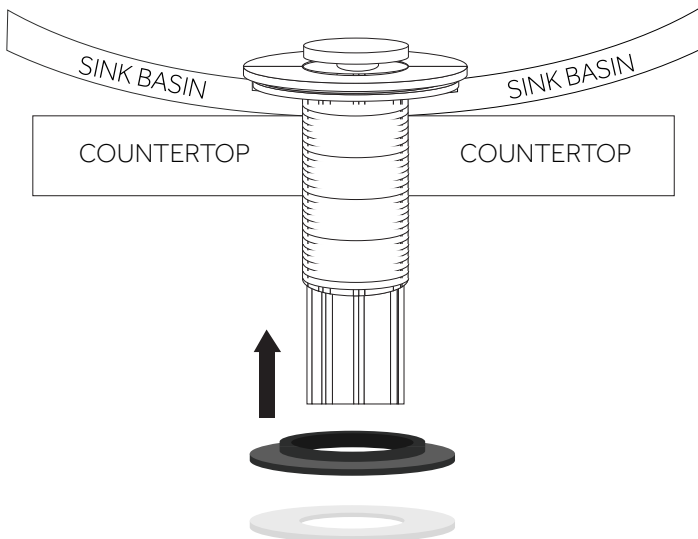


RYLE WIDESPREAD FAUCET INSTALLATION

4. Insert the drain flange and tailpiece through the top of your sink's drain hole.



5. From under your counter, slide the tapered rubber gasket followed by the plastic friction washer onto the tailpiece until they meet your sink or countertop. Be sure that the tapered side of the rubber washer is facing up.



6. Thread the lock nut onto the drain flange. Hand tighten until secure, then finish tightening with a basin wrench once the drain is properly aligned.

Important: Be careful not to overtighten, which could crack a porcelain sink or stone countertop.

