



RACHEL KITCHEN FAUCET INSTALLATION

BEFORE YOU BEGIN

We recommend consulting a professional if you are unfamiliar with installing plumbing fixtures. Signature Hardware accepts no liability for any damage to the faucet, plumbing, sink, counter top, or for personal injury during installation.

Observe all local plumbing and building codes.

Unpack and inspect the faucet for shipping damage. If any damage is found, contact our Customer Relations team at 1-866-855-2284.

GETTING STARTED

- Ensure that you have gathered all the required materials that are needed for the installation.
- For these instructions, it is assumed that the old faucet has been completely removed and any necessary repairs or modifications to the water supply have been completed.

TOOLS AND MATERIALS:



Plumbers
Tape



Thread
Sealant



Phillips
Screwdriver



Adjustable
Wrench



Small
Bucket

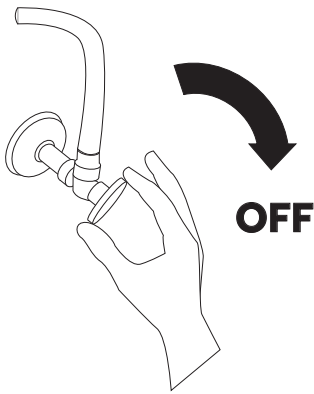


RACHEL KITCHEN FAUCET INSTALLATION

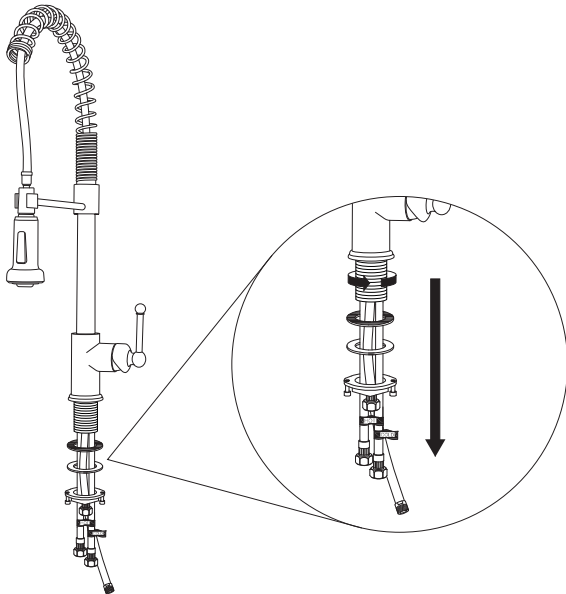
INSTALLATION

1. Ensure that the water supply below your sink is completely shut off.

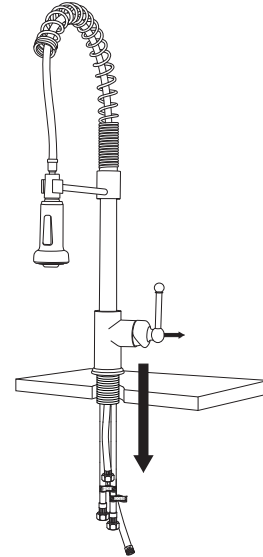
Tip: Place a small bucket below your workspace to catch any water that may drip during the installation process.



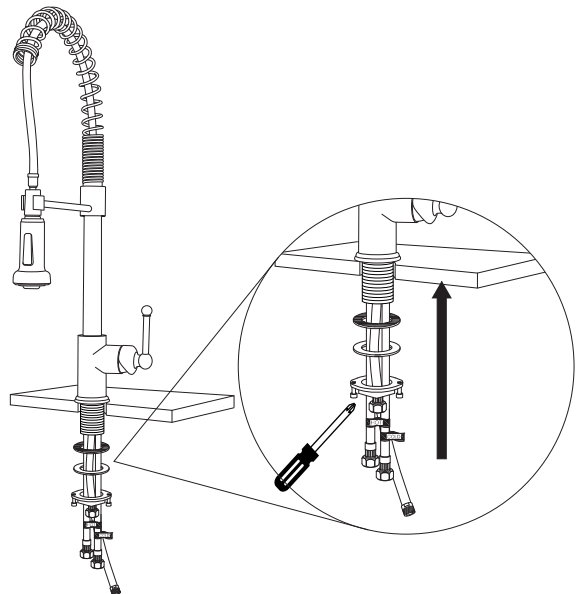
2. Remove the lock nut, metal washer, and rubber washer from the faucet. Ensure that the threaded shank is tightened firmly into the base of the faucet.



3. Insert the faucet body into its prepared mounting hole. Position the faucet so that the handle is on the right, as shown.



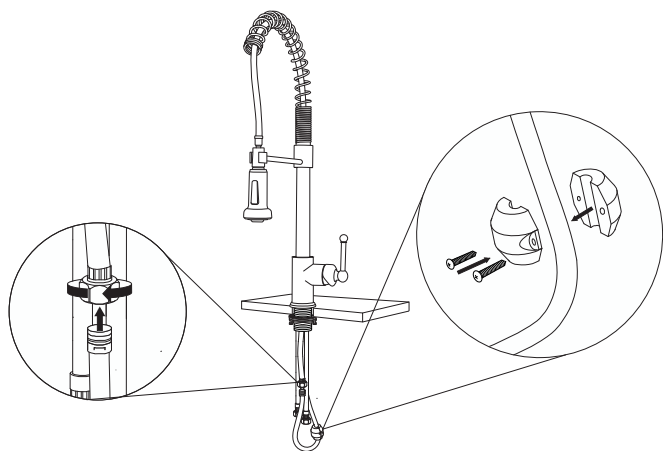
4. From below, slide the rubber washer back onto the faucet followed by the metal washer. Thread the locknut back on until hand-tight. Finish securing by tightening the two screws attached to the lock nut with a Phillip's screwdriver.



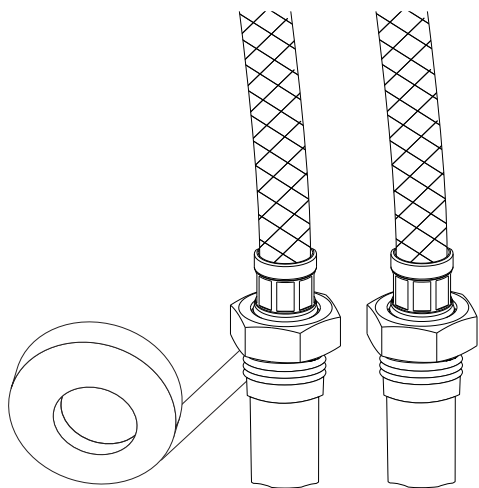


RACHEL KITCHEN FAUCET INSTALLATION

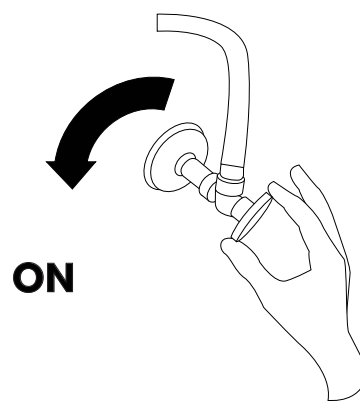
5. Attach the hand sprayer's braided hose (longest hose) to its inlet as shown. Apply plumber's tape or thread sealant to the threads before attaching. Tighten firmly using an adjustable wrench, but be careful not to overtighten. Attach the provided weight to the hose where the hose bends.



5. Connect the faucet's water lines to the main water supply. Apply plumber's tape or thread sealant to the threads before attaching. Ensure that you are connecting the hot and cold lines accordingly.



6. Once installation is complete, turn the main water supply back on from underneath your sink. Check for any leaks.



7. Remove the hand sprayer by unthreading it from the sprayer hose. Turn the faucet on for approximately 60 seconds to remove any dust or loose sediment from the water lines, and to ensure that there are no leaks. Check to ensure that both hot and cold water are running properly. Reattach the sprayer and turn it back on. Allow the sprayer to run for another 60 seconds, and check for any leaks.

