



# MELLWOOD WIDESPREAD FAUCET INSTALLATION

## BEFORE YOU BEGIN

We recommend consulting a professional if you are unfamiliar with installing plumbing fixtures. Signature Hardware accepts no liability for any damage to the faucet, plumbing, sink, counter top, or for personal injury during installation.

Observe all local plumbing and building codes.

Unpack and inspect the faucet for shipping damage. If any damage is found, contact our Customer Relations team at 1-866-855-2284.

---

## GETTING STARTED

- Ensure that you have gathered all the required materials that are needed for the installation.
- For these instructions, it is assumed that the old faucet has been completely removed and any necessary repairs or modifications to the water supply have been completed.

## TOOLS AND MATERIALS:



Plumbers  
Tape



Thread  
Sealant



Flathead  
Screwdriver



Adjustable  
Wrench



Small  
Bucket



Basin  
Wrench

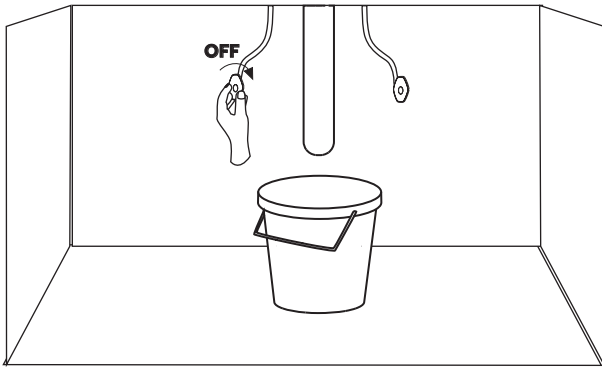


# MELLWOOD WIDESPREAD FAUCET INSTALLATION

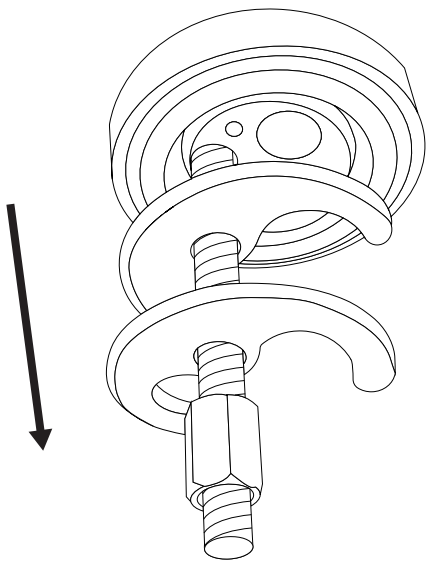
## INSTALLATION

1. Ensure that the water supply below your sink is completely shut off by turning the valve all the way to the right.

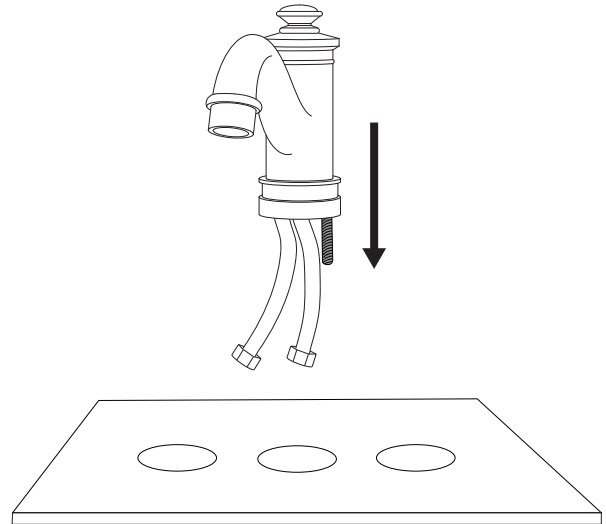
**Tip:** Place a small bucket below your workspace to catch any water that may drip during the installation process.



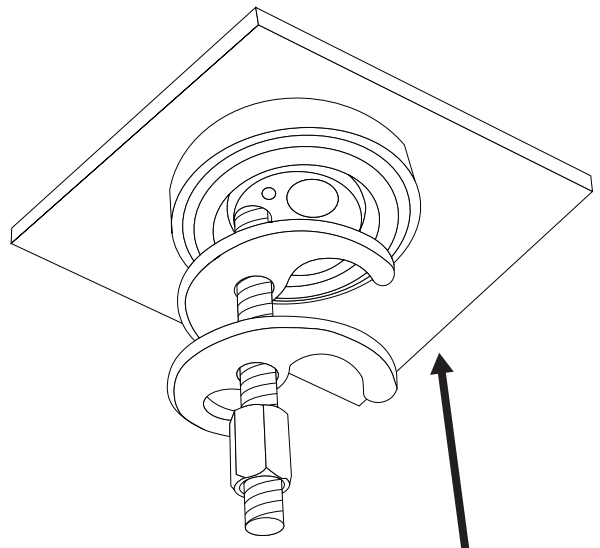
2. Remove the brass lock nut, metal washer, and rubber washer from the threaded mounting post of the spout. Use a flathead screwdriver to ensure the mounting post is tightened firmly into the base of the faucet.



3. Insert the faucet spout into its prepared mounting hole.



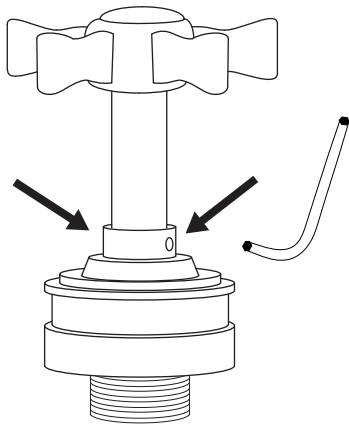
4. From below, slide the rubber washer and metal washer onto the mounting post. Hand tighten the lock nut, then finish tightening using an adjustable wrench.



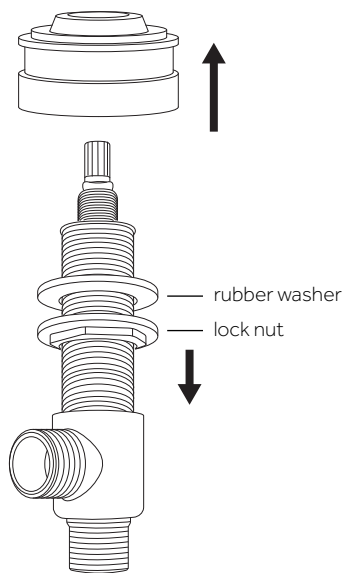


# MELLWOOD WIDESPREAD FAUCET INSTALLATION

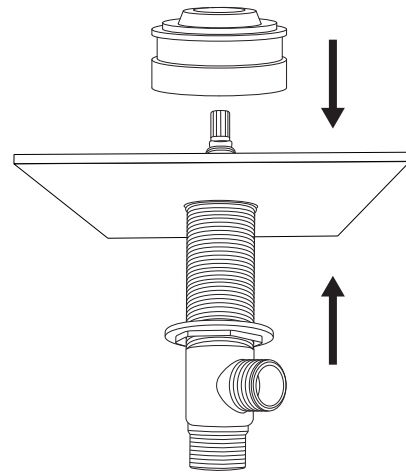
5. The faucet's valve stems are labeled by porcelain identifiers on each handle. On the cold valve stem, remove the handle by loosening the two set screws as shown below. Use the provided hex wrench.



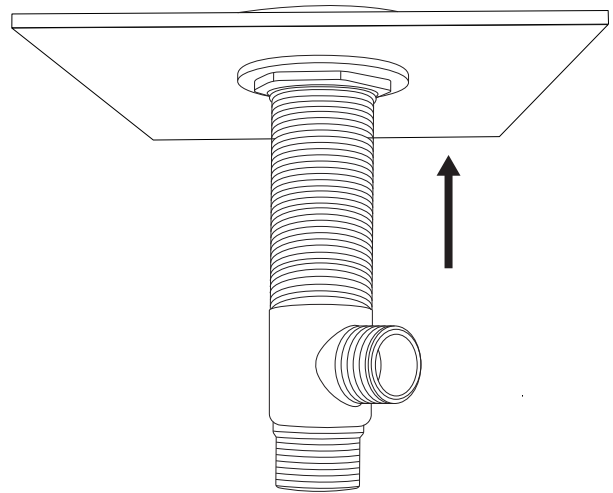
6. Remove the handle base by unthreading from the top of the stem. Then, loosen the lock nut to its furthest point at the bottom of the stem. Slide the rubber washer to bottom as well.



7. From beneath the counter top, insert the valve stem through the right-side faucet hole. From above the counter top, thread the handle base back onto the stem until hand-tight.



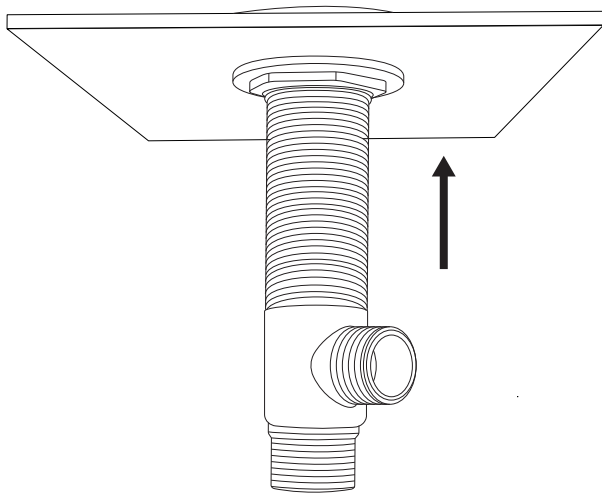
8. From below, hand tighten the lock nut until secure. Finish tightening using a basin wrench.



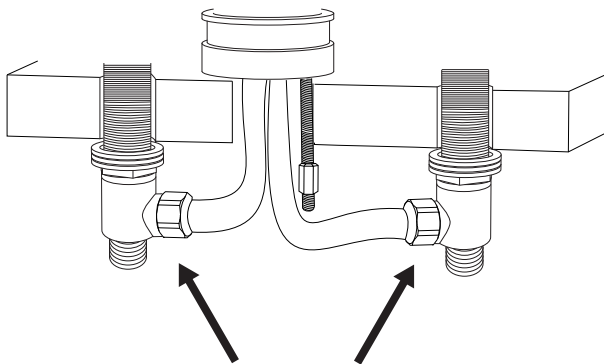


# MELLWOOD WIDESPREAD FAUCET INSTALLATION

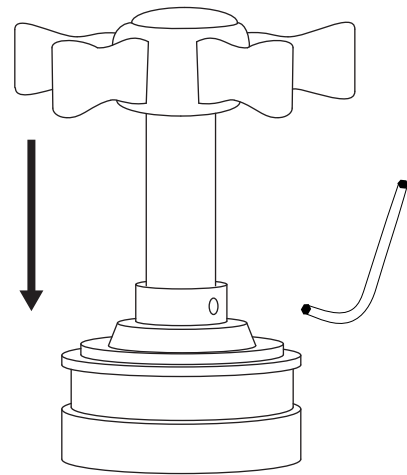
9. Repeat steps 5-8 to install the hot valve stem into the left-side faucet hole.



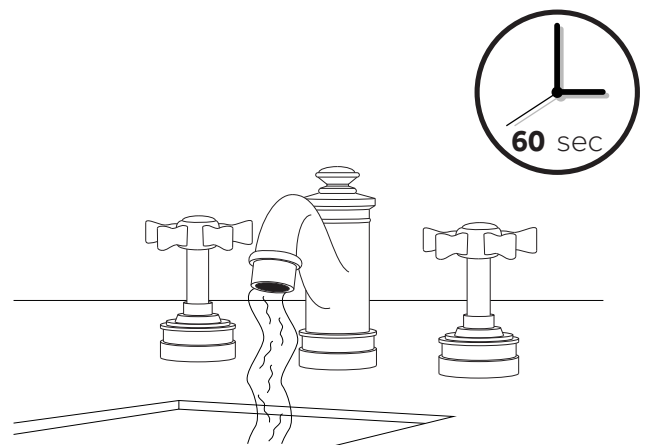
10. Connect the braided water lines on the spout to the installed valve stems, as shown. Use an adjustable wrench to tighten, but be careful not to overtighten. Apply thread sealant or plumber's tape to each threaded connection before attaching.



11. Reattach the handles to each valve stem. Ensure that each handle is aligned properly while in the 'off' position.



12. Connect the main water supply lines to the valve stems. Apply plumber's tape or thread sealant to the threads before tightening. Proceed to the drain installation. Once complete, turn the faucet on and allow the water to flow for approximately 60 seconds. Ensure that there are no leaks, and that both hot and cold water are running properly.

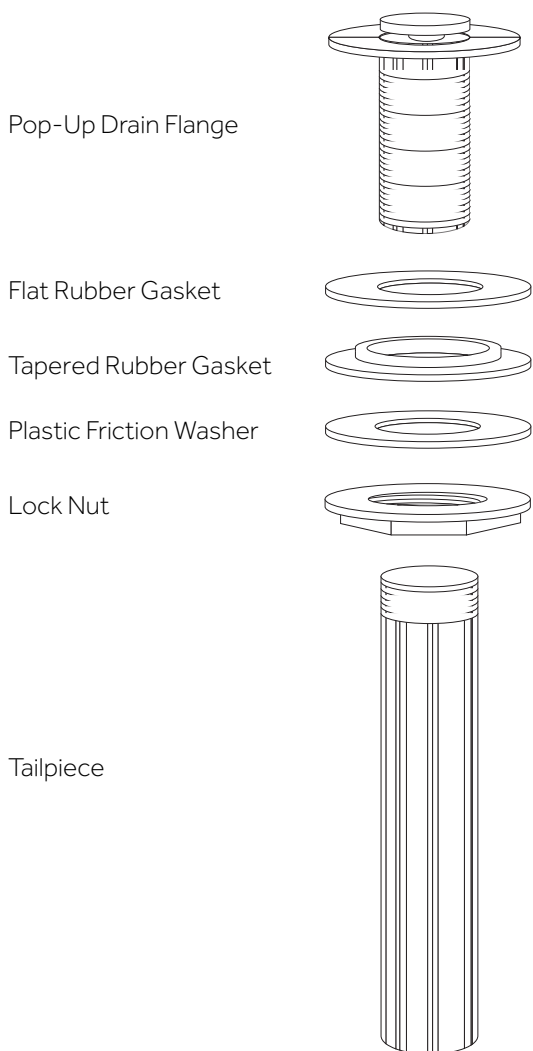




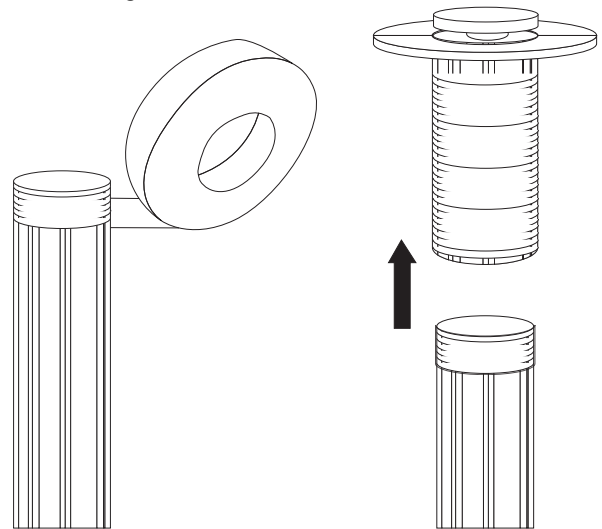
# MELLWOOD WIDESPREAD FAUCET INSTALLATION

## DRAIN INSTALLATION

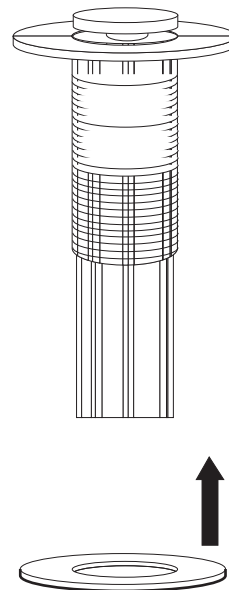
1. Dissassemble the drain assembly and lay the parts aside, in the same order they were removed. See the illustration below as a reference if needed.



2. Apply plumber's tape to the threading on the tailpiece, then reattach the tail piece to the pop-up drain flange.



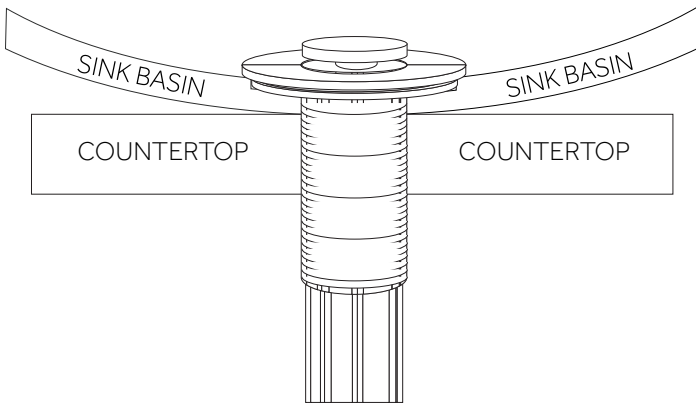
3. Slide the flat rubber gasket up the tailpiece until it meets the lip of the pop-up drain flange.



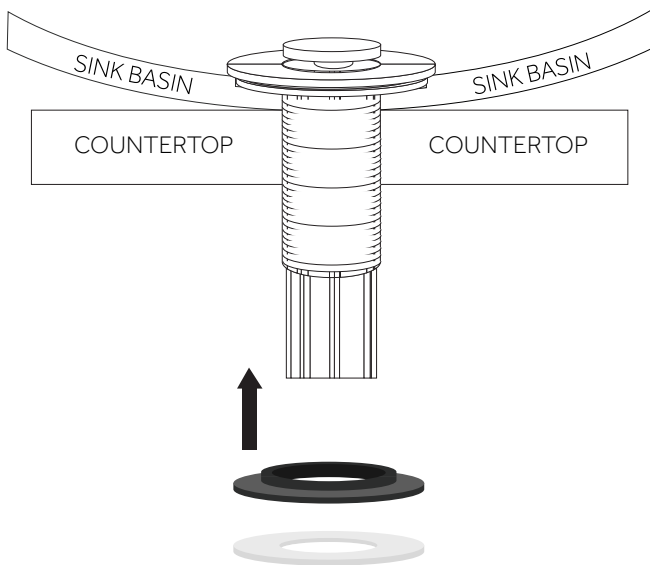


# MELLWOOD WIDESPREAD FAUCET INSTALLATION

4. Insert the drain flange and tailpiece through the top of your sink's drain hole.



5. From under your counter, slide the tapered rubber gasket followed by the plastic friction washer onto the tailpiece until they meet your sink or countertop. Be sure that the tapered side of the rubber washer is facing up.



6. Thread the lock nut onto the drain flange. Hand tighten until secure, then finish tightening with a basin wrench once the drain is properly aligned.

**Important:** Be careful not to overtighten, which could crack a porcelain sink or stone countertop.

