



EUBANKS BIDET TOILET SEAT INSTALLATION

BEFORE YOU BEGIN

We recommend consulting a professional if you are unfamiliar with installing plumbing fixtures. Signature Hardware accepts no liability for any damage to the product, plumbing, toilet, wall, floor, or for personal injury during installation.

Observe all local plumbing and building codes.

Unpack and inspect the items for shipping damage. If any damage is found, contact our Customer Relations team at 1-866-855-2284.

GETTING STARTED

- Ensure that you have gathered all the required materials that are needed for the installation.
- For these instructions, it is assumed that the old toilet seat has been completely removed and any necessary repairs or modifications have been completed.

TOOLS AND MATERIALS:



Plumbers
Tape



Thread
Sealant



Adjustable
Wrench



Phillips
Screwdriver

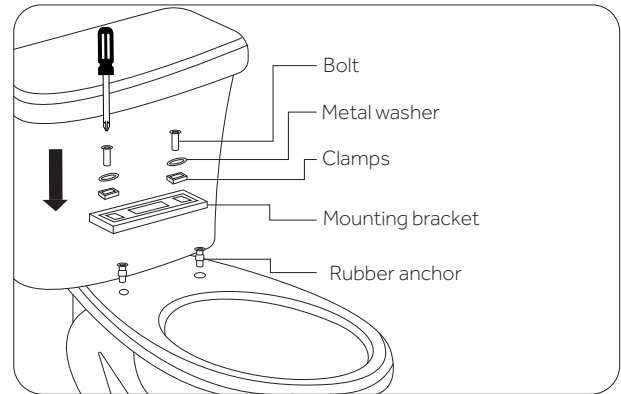


EUBANKS BIDET TOILET SEAT INSTALLATION

INSTALLATION

Mounting Bracket Installation (Fig.1):

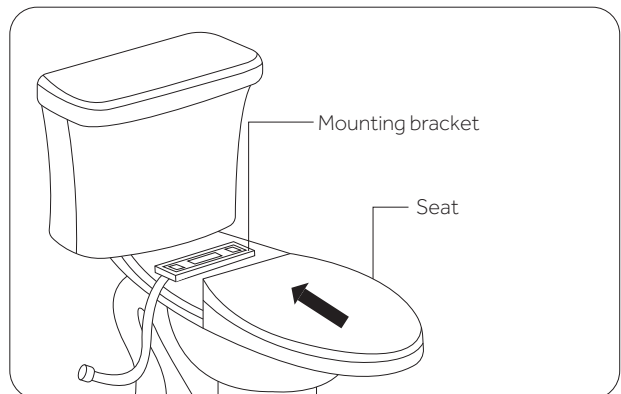
1. Insert the rubber anchors into the toilet's seat mounting holes.
2. Place the mounting bracket over the mounting holes,
3. Secure the mounting bracket to the toilet using the provided clamps, rubber washers, and screws, as shown. Tighten using a screwdriver.



Seat Installation (Fig. 2):

1. Place the seat onto the toilet bowl.
2. Slide the seat onto the mounting bracket, as shown.

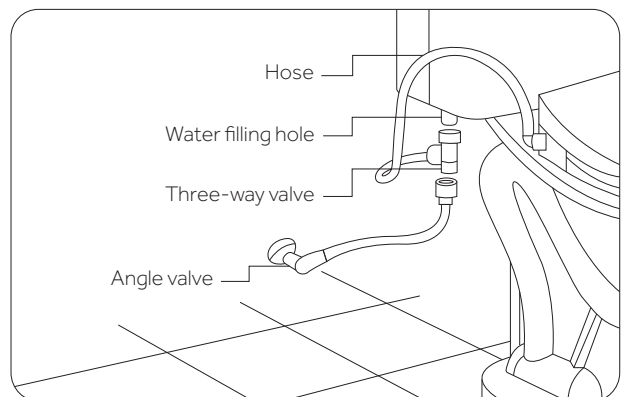
NOTE: If the seat will not fasten to the mounting bracket, the bracket may need to be adjusted. Loosen the screws and adjust as needed.



Hose Installation (Fig. 3):

1. Connect the three-way valve and hose to the inlet of the toilet seat.
2. Using a second hose, connect the opposite end of the three-way valve to the toilet's main shutoff valve on the wall, as shown.

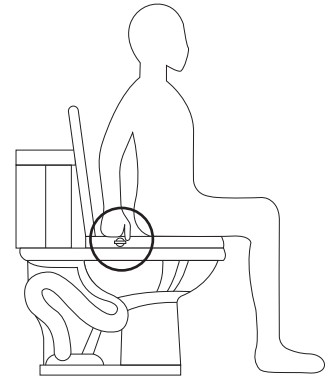
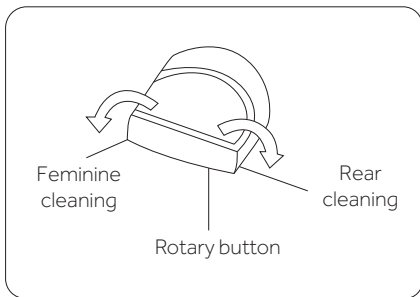
NOTE: Apply plumber's tape or thread sealant to each threaded connection.





EUBANKS BIDET TOILET SEAT INSTALLATION

OPERATING INSTRUCTIONS



CLEANING AND MAINTENANCE

Inlet Filter Cleaning:

1. Before you begin, shut off the toilet's main water supply valve.
2. Disconnect the water hose connected to the toilet seat's inlet.
3. Remove the filter using needle nose pliers, as shown. Clean by rinsing under warm water. Use a brush if needed.
4. Reinsert the filter, and reattach the hose. Turn the water supply back on.

