

CORNER TUB INSTALLATION INSTRUCTIONS

BEFORE YOU BEGIN

We recommend consulting a professional if you are unfamiliar with installing bathroom fixtures and plumbing. Signature Hardware accepts no liability for any damage to the floor, walls, plumbing, or personal injury during installation.

Observe all local plumbing and building codes.

Unpack and inspect the tub for any damage. If any damage is found, contact our Customer Relations team at 1.866.855.2284

GETTING STARTED

- Ensure that you have gathered all of the required materials that are needed for the installation.
- Ensure that your bathroom floor is adequately supported, and the finished floor is level.
- Keep the plumbing connections around the tub easily accessible for any future maintenance that may be necessary.

PLANNING

Use the tubs's PDF specification sheet as a reference when planning your layout. The specification sheet can be found and downloaded from the product page on our website.

Because the tub specification measurements are approximate and slight variations may occur, we highly recommend performing any rough-in procedures with the tub on site. For on-site rough-in information, go to the appropriate drain installation section.

TOOLS AND MATERIALS



Drill



Level



Tape Measure



Plumber's Tape



Pencil



Hacksaw



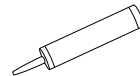
Thread Sealant



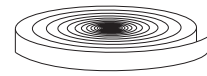
Damp Cloth



Adjustable Wrench



Silicone Sealant
(100% Neutral Care)



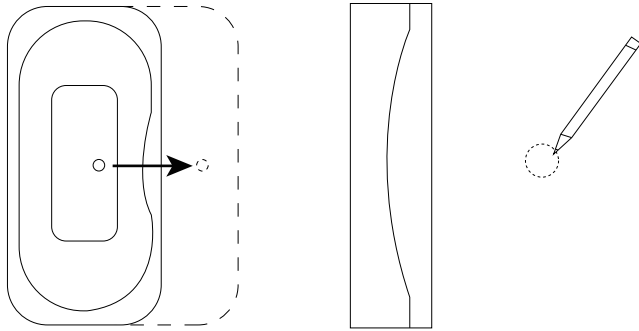
Tiling Flange



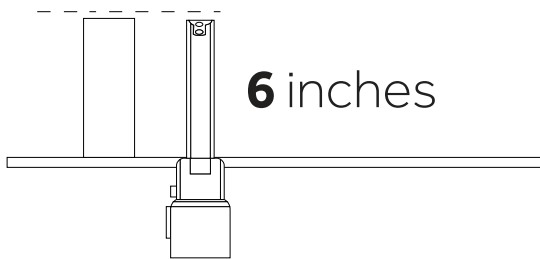
CORNER TUB INSTALLATION INSTRUCTIONS

INSTALLATION

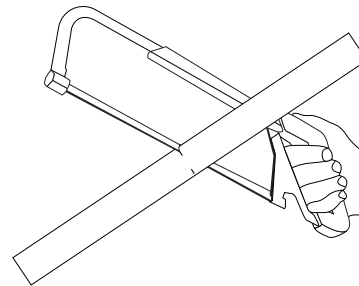
1. Set the tub in the desired installation location and mark the drain hole location on the floor.



2. Move the tub away from the installation location so that the plumbing can be installed. The drain pipe should extend approximately 6" above the finished floor.

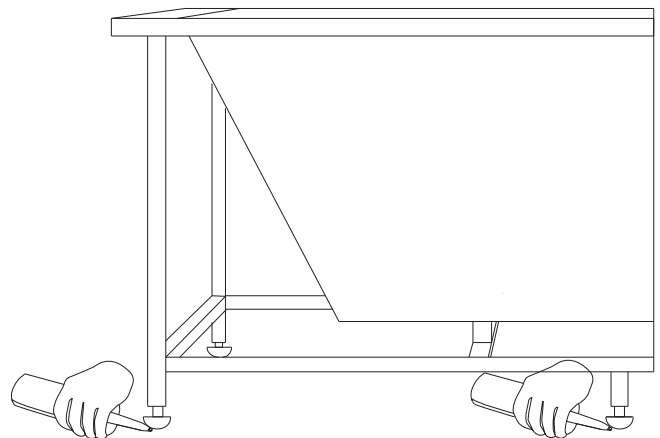


3. When the floor is finished, measure and cut the drain pipe to the appropriate length depending on the type of drain being used, and the distance from the floor to the drain hole.



4. Carefully set the tub in position and adjust the tub feet as necessary until level. Once level, apply a generous bead of silicone on the bottom of the feet. This will prevent the tub from shifting after installation.

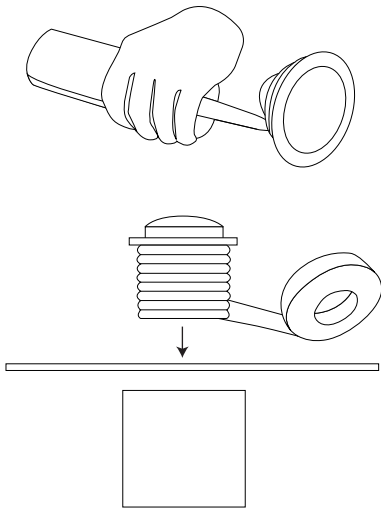
Tip: Plan for the bottom of the tub to sit approximately 1/8" above the finished floor so that the weight of the tub, water, and bather are fully supported by the tub feet rather than the tub walls.



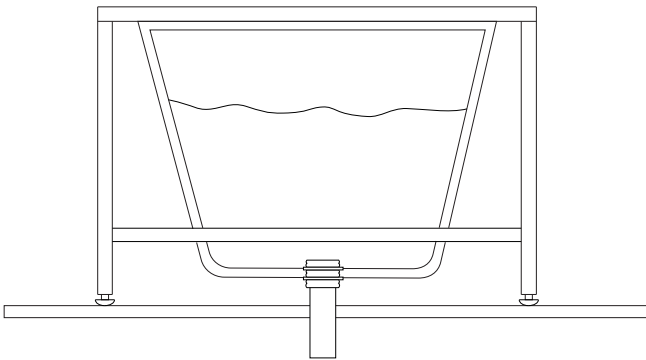


CORNER TUB INSTALLATION INSTRUCTIONS

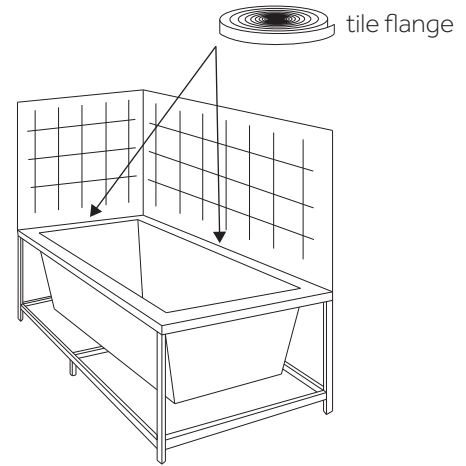
5. Apply 100% neutral cure silicone sealant to the underside of the drain flange and thread it through the tub and into the drain pipe. Apply thread sealant or plumber's tape to the threaded connection to ensure a water-tight seal. Tighten by hand. Wipe away any excess sealant using a damp cloth.



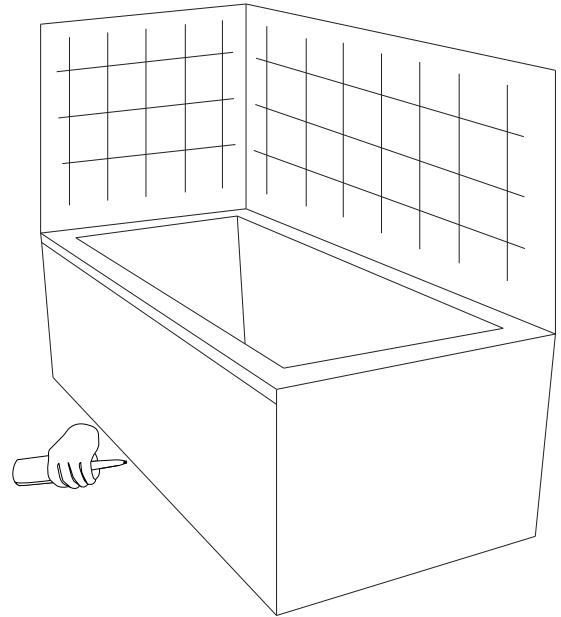
6. Fill the tub with water to check for any leaks from the connections. Verify that the drain is working properly.



7. Install a tile flange (not provided) around the rim of the tub, where the tub meets the wall and tile. This will prevent water from getting trapped behind or underneath the tub.



7. Finish the installation by installing the tub skirt. Use the provided brackets and hardware to attach. Run a bead of silicone around the bottom edge of the tub, where the tub meets the floor, to prevent water from getting underneath.





CORNER TUB INSTALLATION INSTRUCTIONS

CLEANING AND MAINTENANCE

Wash your tub using a gentle soap, such as dishwashing liquid, and warm water. Do not use any abrasive cleaning pads or materials. We recommend the use of a soft sponge or microfiber washcloth. Vinegar can be used to remove hard water buildup and mildew. Rinse with warm water and dry with a clean, soft cloth. To maintain the glossy tub finish, we recommend buffing your tub every three months with white polishing compound.

SCRATCH REMOVAL

1. Using a damp sponge, wash the area with warm water and dish washing liquid. Rinse thoroughly with warm water.
2. Do not use any type of abrasive cleaning pads or chemicals. Read the labels on your cleaners to be sure they are gentle enough to be used on your acrylic tub.
3. Apply circular, even strokes to the scratched area using dampened 800 and 1200 grit sandpaper.
4. Wipe the area clean with a damp sponge and rinse thoroughly.
5. Apply an acrylic polishing compound and water with a soft, clean cloth. Rub in a circular motion to polish and buff the area.
6. Wipe off any excess residue and rinse the tub with warm water. Dry the surface with a clean, soft cloth.