

FREY 48" VANITY

WITH VESSEL SINK

SKU: 949567, 949570, 949571

BEFORE YOU BEGIN

We recommend consulting a professional if you are unfamiliar with installing plumbing fixtures. Signature Hardware accepts no liability for any damage to the vanity, plumbing, countertop, sink, or for personal injury during installation.

Observe all local plumbing and building codes.

Unpack and inspect the product for shipping damage. If any damage is found, contact our Customer Relations team at 1-866-855-2284.

GETTING STARTED

- Ensure that you have gathered all the required materials that are needed for the installation.

TOOLS AND MATERIALS:



Silicone Sealant
(100% Neutral Cure)



Damp Cloth

HARDWARE LIST



Screw
M6x20 - 16pcs



Washer
19x2 - 16pcs



Allen wrench
4mm - 1pc

For Warranty information, please visit: signaturehardware.com/services/warranty

REVISED 01/28/2021
CODES: 531236, 531237, 531238

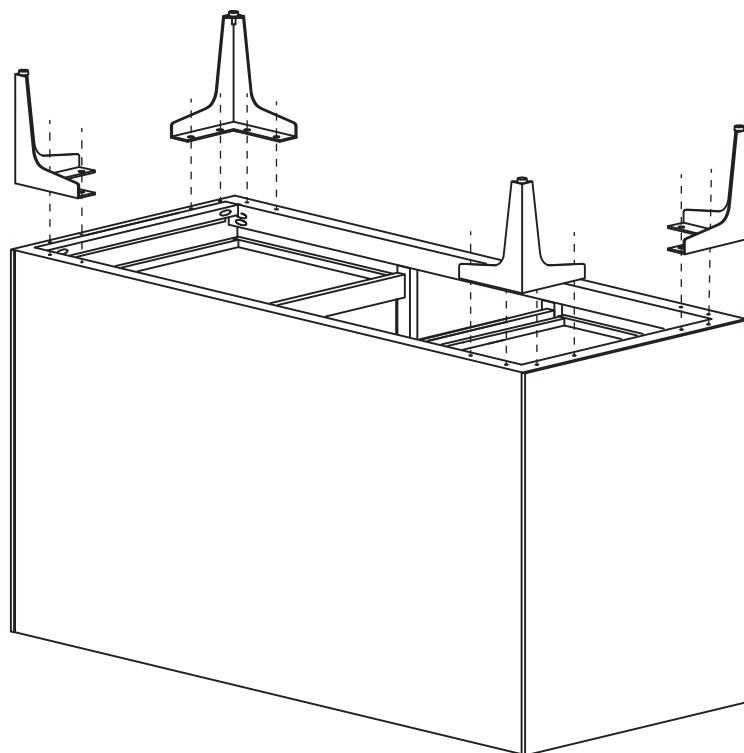
FREY 48" VANITY

WITH VESSEL SINK

SKU: 949567, 949570, 949571

INSTALLATION

1. Turn vanity cabinet upside down on soft surface. Align mounting holes in feet with mounting points on vanity cabinet.

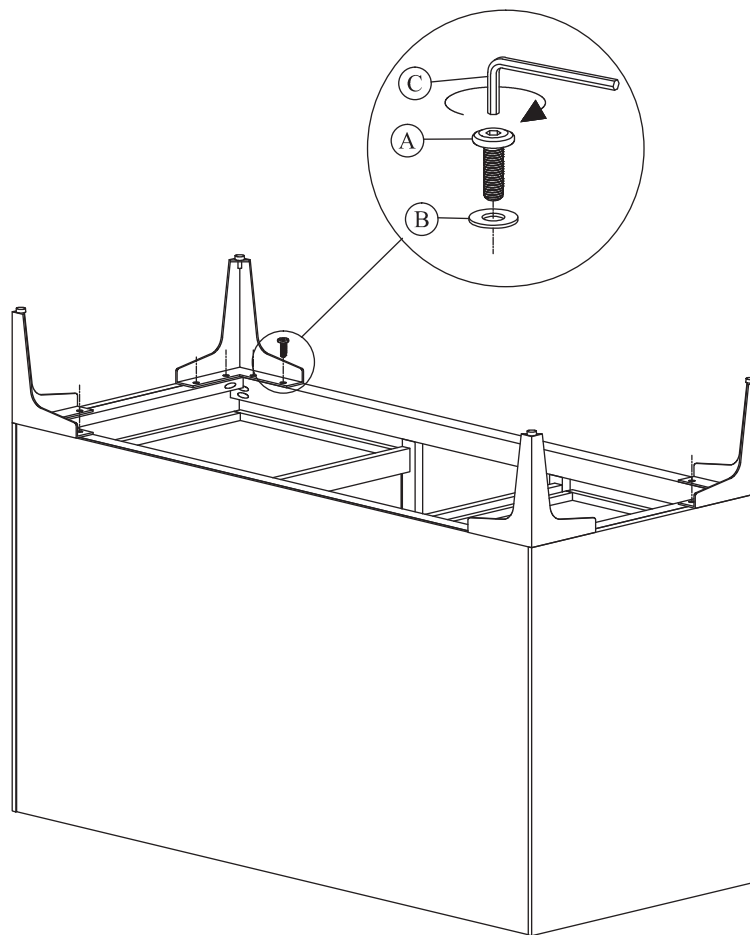


FREY 48" VANITY

WITH VESSEL SINK

SKU: 949567, 949570, 949571

2. Using provided allen wrench (C) fasten feet to vanity cabinet with washer (B) and screw (A) as shown.



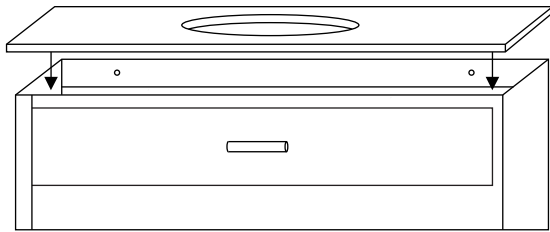
FREY 48" VANITY

WITH VESSEL SINK

SKU: 949567, 949570, 949571

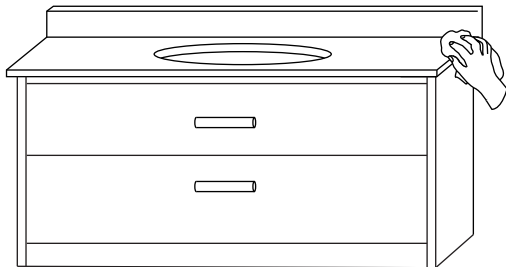
COUNTERTOP INSTALLATION

1. Apply a bead of silicone sealant around the top edge of the vanity cabinet.

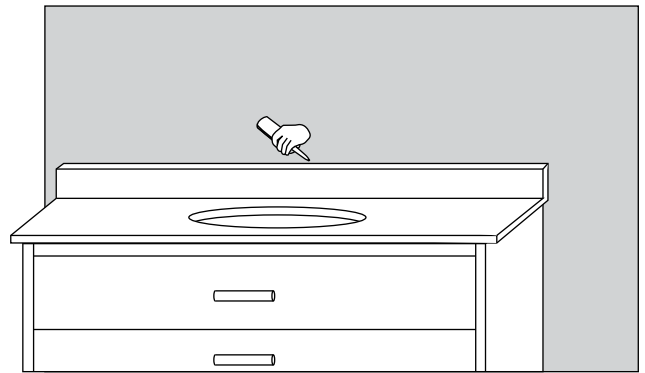


2. With assistance from another person, slowly and carefully set the countertop onto the vanity cabinet. Once positioned, press firmly into place. Wipe away any excess sealant using a damp cloth.

Important: The countertop is very fragile. Take caution when handling, and have someone assist you.



3. If you are installing a side-splash and/or back-splash, place a generous amount of silicone sealant on the back of it and press it into place against your bathroom wall. Fill any gaps that are left with silicone sealant. Wipe away any excess sealant with a damp cloth.



4. Let the assembled vanity sit for 24 hours to allow all the silicone sealant to fully dry. Once dry, proceed to the installation of your faucet and drain.

Note: In some situations, it may be necessary to cut the inner cabinet shelves to allow space for your drain's P-traps.

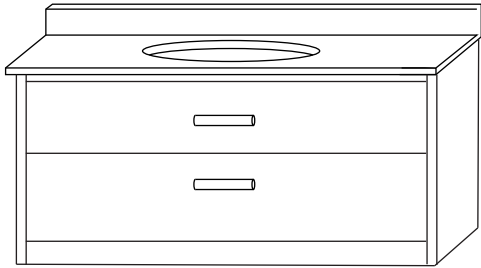


FREY 48" VANITY

WITH VESSEL SINK

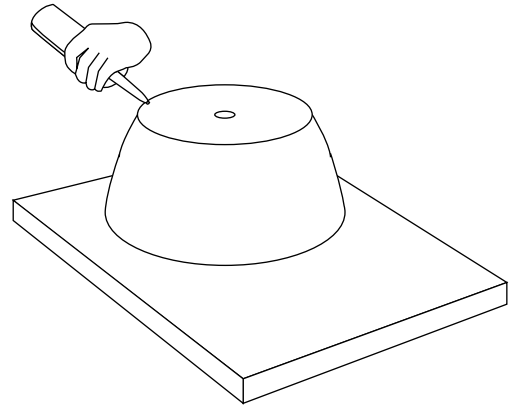
SKU: 949567, 949570, 949571

5. For stone tops, such as marble and granite, it is recommended that you apply a high-quality sealer to protect from staining and discoloration. Stone sealer should be reapplied once or twice per year, depending upon usage.

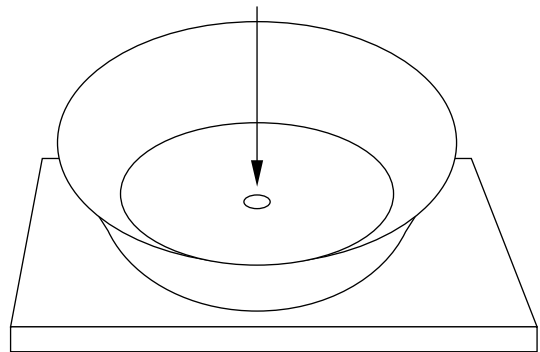


SINK INSTALLATION

1. Carefully place your vessel sink upside down on the countertop. Apply a generous amount of silicone sealant to the base of the sink where it will rest on the counter.



2. Turn the sink right-side-up and position over the 2" drain hole.

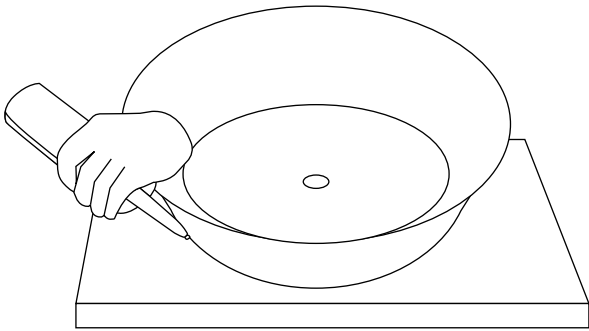


FREY 48" VANITY

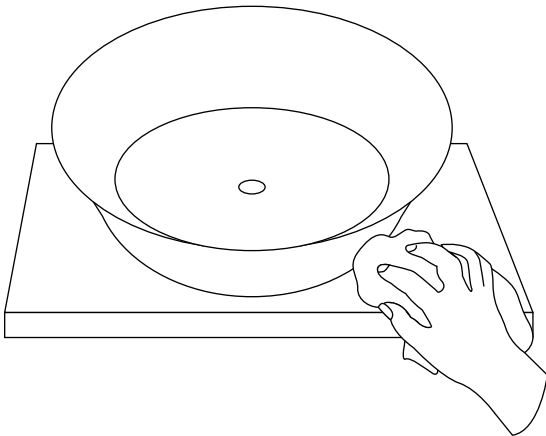
WITH VESSEL SINK

SKU: 949567, 949570, 949571

3. If desired, apply a continuous bead of silicone sealant around the perimeter of the sink base for additional stability.



4. Remove any excess sealant to complete the sink installation.



5. Let the assembled vanity sit for 24 hours to allow all the silicone sealant to fully dry. Once dry, proceed to the installation of your faucet and drain assemblies.

Note: In some situations, it may be necessary to cut the inner cabinet shelves to allow space for your drain's P-traps.

