

LENTZ

SHOWER SYSTEM WITH RAINFALL SHOWER HEAD & HAND SHOWER - KNOB HANDLE

SKU: 953088-K



CONTENTS

PRESSURE BALANCE VALVE TRIM	PAGE 2
PB ROUGH-IN VALVE	PAGE 3
DIVERTER VALVE TRIM	PAGE 4
DIVERTER ROUGH-IN VALVE	PAGE 5
SHOWER HEAD	PAGE 6
WALL SHOWER ARM	PAGE 7
HAND SHOWER	PAGE 8
SLIDE BAR	PAGE 9
HOSE	PAGE 10
WATER SUPPLY ELBOW	PAGE 11

FEATURES

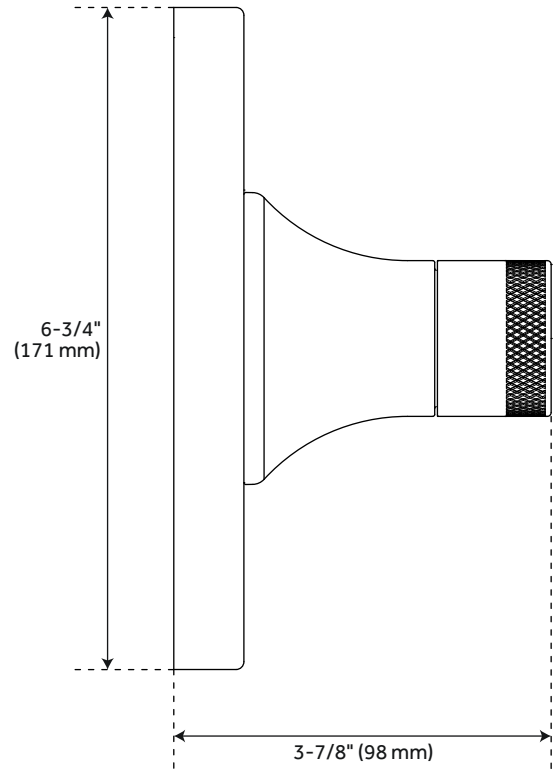
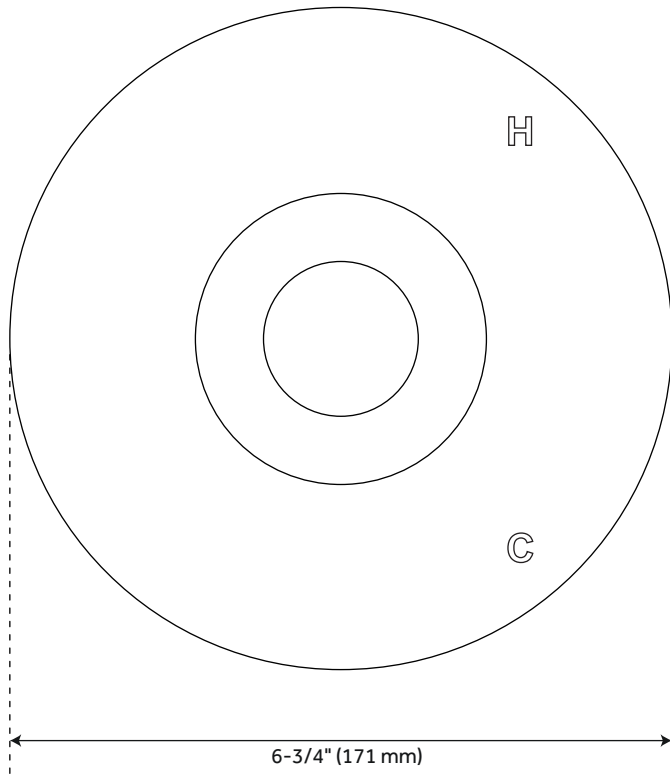
- Design: Modern
- Shape: Round
- Installation Type: Wall Mount
- Handle Type: Knob
- Assembly Required: No
- Metal Handles
- Single Function Shower Head (Full Spray)
- Easy Clean Rubber Nozzles
- Brass Ball-Joint
- Brass Constructed Shower Arm
- Water Supply Elbow:
 - 1/2" Female Wall Connection
 - 1/2" Male Hose Connection
- Optional Pressure Balance Rough-In Valve:
 - Pressure Balance Valve with Integral Stops
 - One-Piece Cartridge Design for Ease of Maintenance
 - Back-to-Back Capability
 - Ceramic Disc Valve Cartridge
 - Cast Bronze Valve Body
 - Adjustable Temperature Limit Stop
 - Quick Remove Plaster Guard
 - Easy Mounting Brackets
- Optional Diverter Rough-In Valve:
 - Six Total Settings Allow for Shared Water Flow Between Outlets, Giving You the Ability to Use Two Functions at Once
 - Ceramic Cartridge
 - Available Single-Function Diverter Valve Cartridge Restricts Water Flow to One Outlet at a Time
 - For Installations Only Requiring 2 Outlets, the 3rd Outlet may be Looped into One of the Existing Pipes
 - Brass Valve Body

REVISED 05/24/2021

LENTZ

PRESSURE BALANCE VALVE TRIM

SKU: 953088-K



FEATURES

Material: Brass
Length: 6-3/4"
Height: 6-3/4"
Depth: 3-7/8"

CODES/STANDARDS

cUPC
ASME A112.18.1/CSA B125.1
Massachusetts Accepted

LISTED ID:

SHLZ8010LH, SHLZPBKNOB

PRODUCT IMAGE



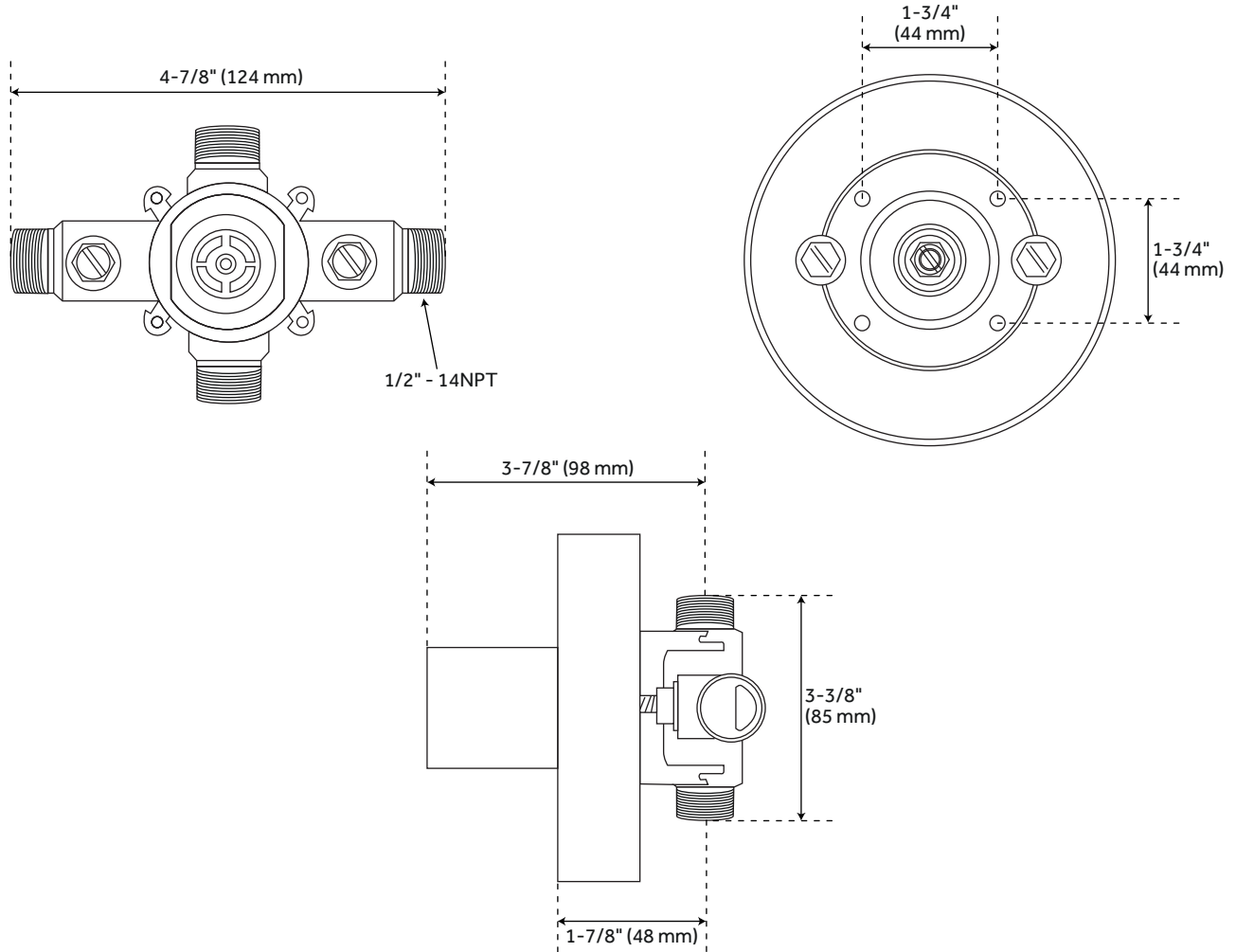
All dimensions and specifications are nominal and may vary. Use actual products for accuracy in critical situations.

PAGE 2
Code: SHLZ8010LH, SHLZPBKNOB

LENTZ

OPTIONAL ROUGH-IN VALVE FOR PRESSURE BALANCE SHOWER VALVE TRIM

SKU: 953088-K



FEATURES

Material: Bronze
NPT Connection: 1/2"

CODES/STANDARDS

cUPC
ASME A112.18.1/CSA B125.1
ASSE 1016 Type P
Massachusetts Accepted

LISTED ID:

SH4001

PRODUCT IMAGE



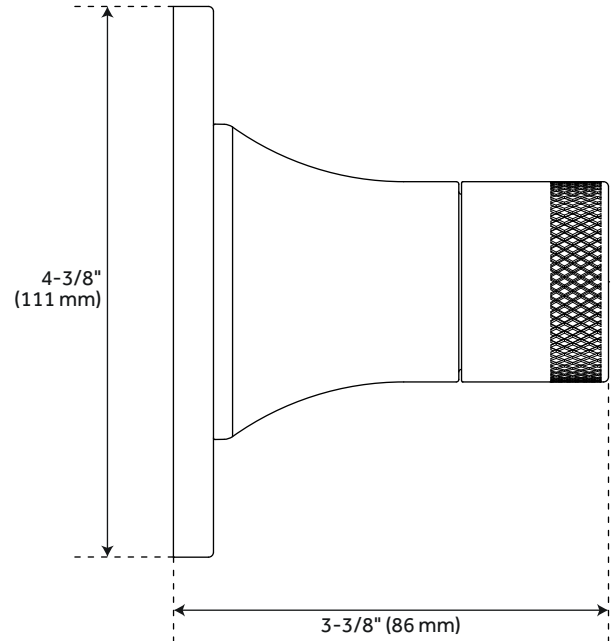
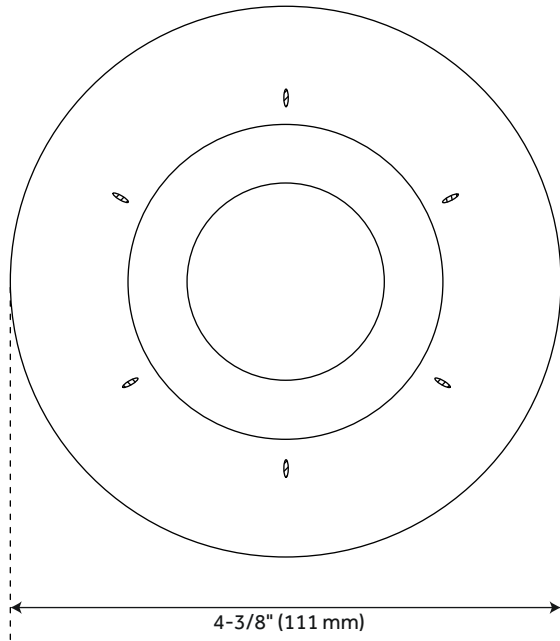
All dimensions and specifications are nominal and may vary. Use actual products for accuracy in critical situations.

PAGE 3
Code: SH4001

LENTZ

DIVERTER VALVE TRIM

SKU: 953088-K



FEATURES

Material: Brass
Length: 4-3/8"
Height: 4-3/8"
Depth: 3-3/8"

CODES/STANDARDS

cUPC
ASME A112.18.1/CSA B125.1
Massachusetts Accepted

LISTED ID:

SHLZ9005LH, SHLZTVKNOB

PRODUCT IMAGE



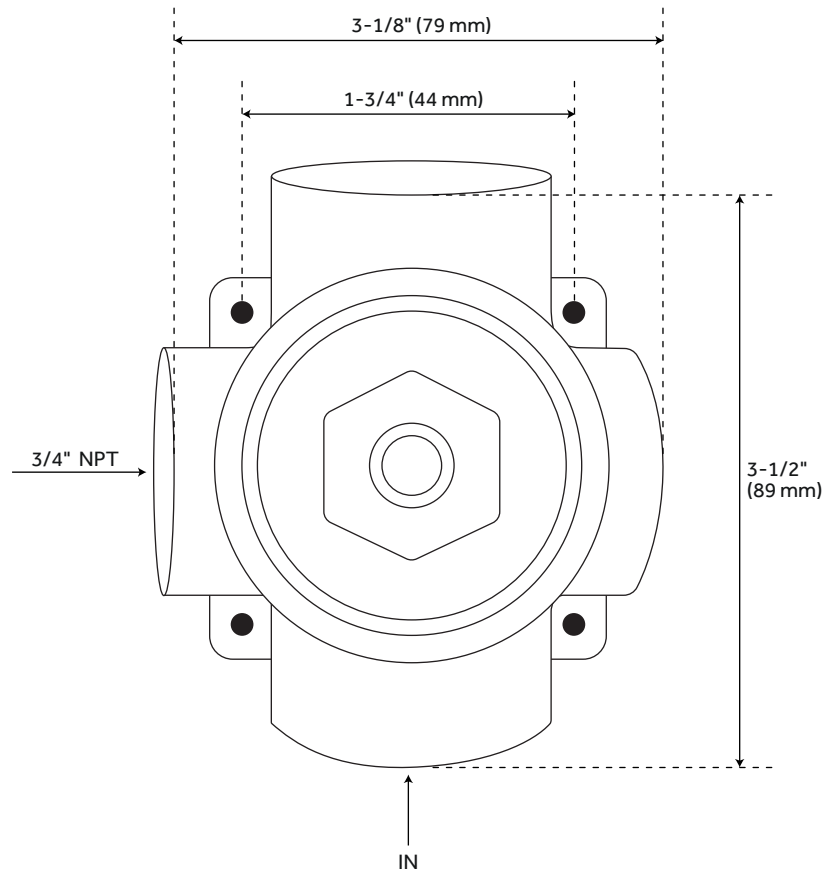
All dimensions and specifications are nominal and may vary. Use actual products for accuracy in critical situations.

PAGE 4
Code: SHLZ9005LH, SHLZTVKNOB

LENTZ

OPTIONAL ROUGH-IN VALVE FOR DIVERTER VALVE TRIM

SKU: 953088-K



FEATURES

Material: Brass
NPT Connection: 3/4"

CODES/STANDARDS

cUPC
ASME A112.18.1/CSA B125.1
Massachusetts Accepted

PRODUCT IMAGE



LISTED ID:

SH6103



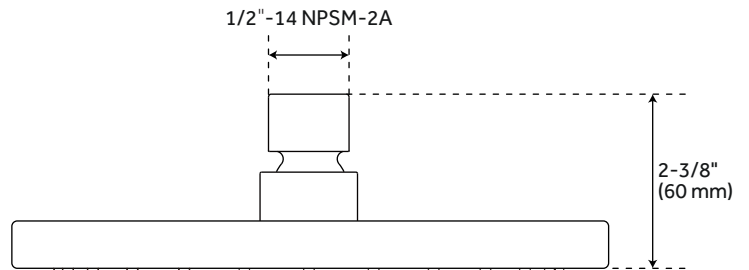
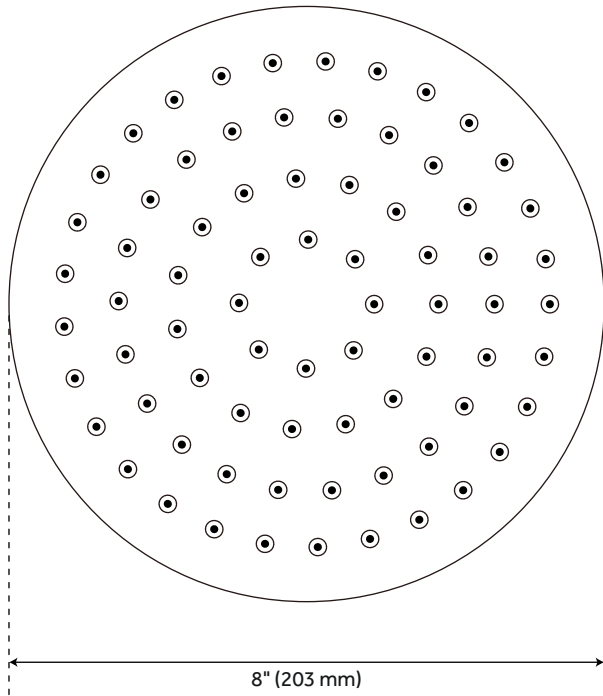
All dimensions and specifications are nominal and may vary. Use actual products for accuracy in critical situations.

PAGE 5
Code: SH6103

LENTZ

WALL-MOUNT RAINFALL SHOWER HEAD

SKU: 953088-K



FEATURES

Material: ABS
Diameter: 8"
Height: 2-3/8"
Connection Type: 1/2"-14 NPSM-2A
Rainfall Shower Head Flow Rate:
1.8 gpm (6.8L/min) Max @ 80 psi

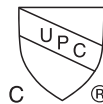
CODES/STANDARDS

cUPC
ASME A112.18.1/CSA 125.1
CEC Listed
WaterSense
Massachusetts Accepted

LISTED ID:

SHRSB820RG

PRODUCT IMAGE



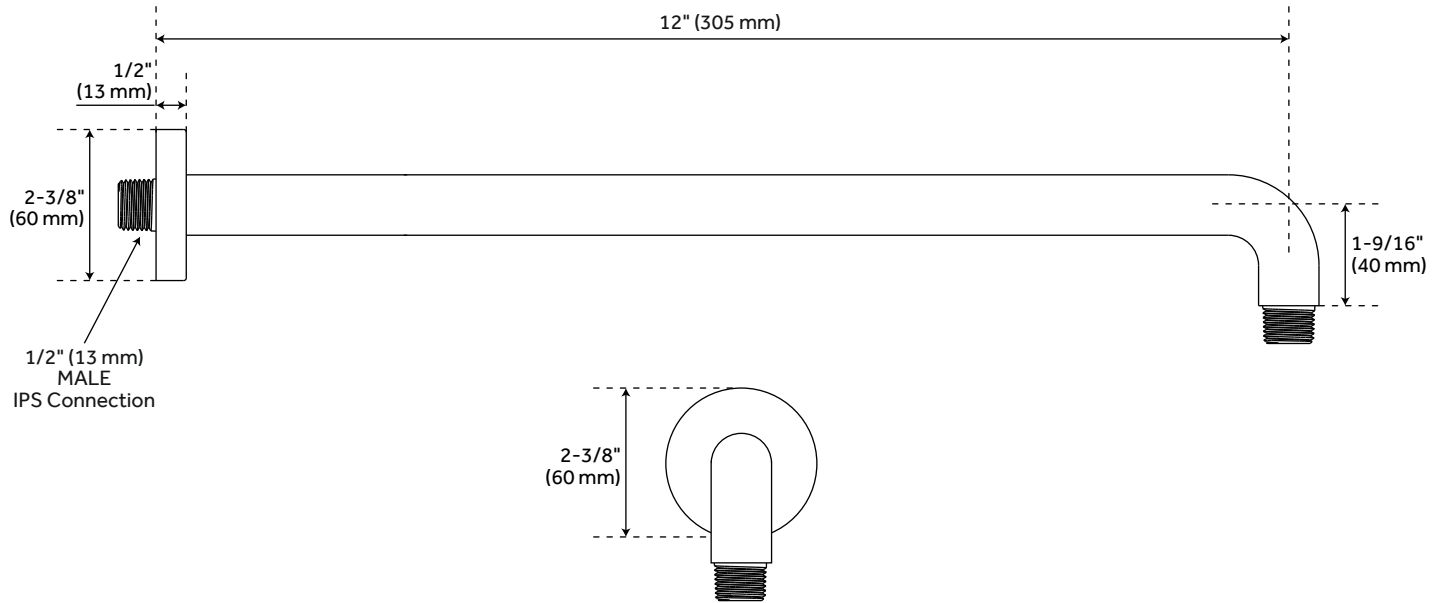
All dimensions and specifications are nominal and may vary. Use actual products for accuracy in critical situations.

PAGE 6
Code: SHRSB820RG

LENTZ

WALL-MOUNT SHOWER ARM

SKU: 953088-K



FEATURES

Material: Brass
Length: 12"
Height: 1-9/16"
Base Plate Diameter: 2-3/8"
Escutcheon Included
IPS: 1/2"

CODES/STANDARDS

cCSAus
ASME A112.18.1/CSA B125.1
Massachusetts Accepted

LISTED ID:

SHRSA120

PRODUCT IMAGE



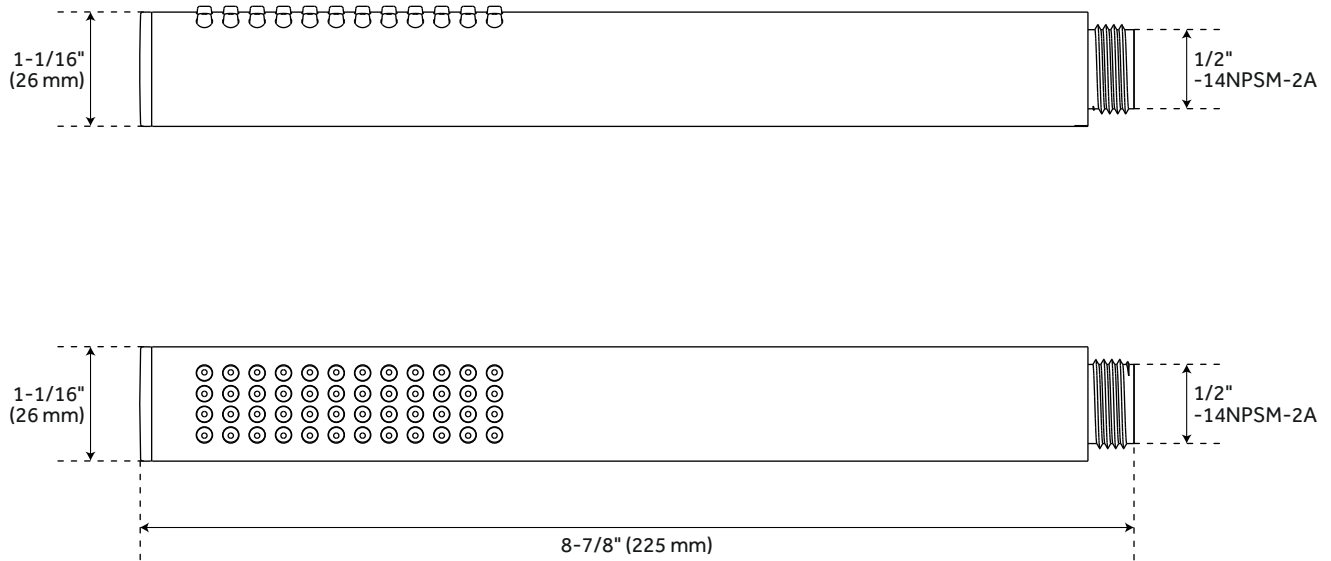
All dimensions and specifications are nominal and may vary. Use actual products for accuracy in critical situations.

PAGE 7
Code: SHRSA120

LENTZ

HAND SHOWER

SKU: 953088-K



FEATURES

Material: ABS
Length: 1-1/16"
Width: 1-1/16"
Height: 8-7/8"

CODES/STANDARDS

cUPC
ASME A112.18.1/CSA B125.1
WaterSense
CEC Listed
Massachusetts Accepted

LISTED ID:

SHHS4030G

PRODUCT IMAGE



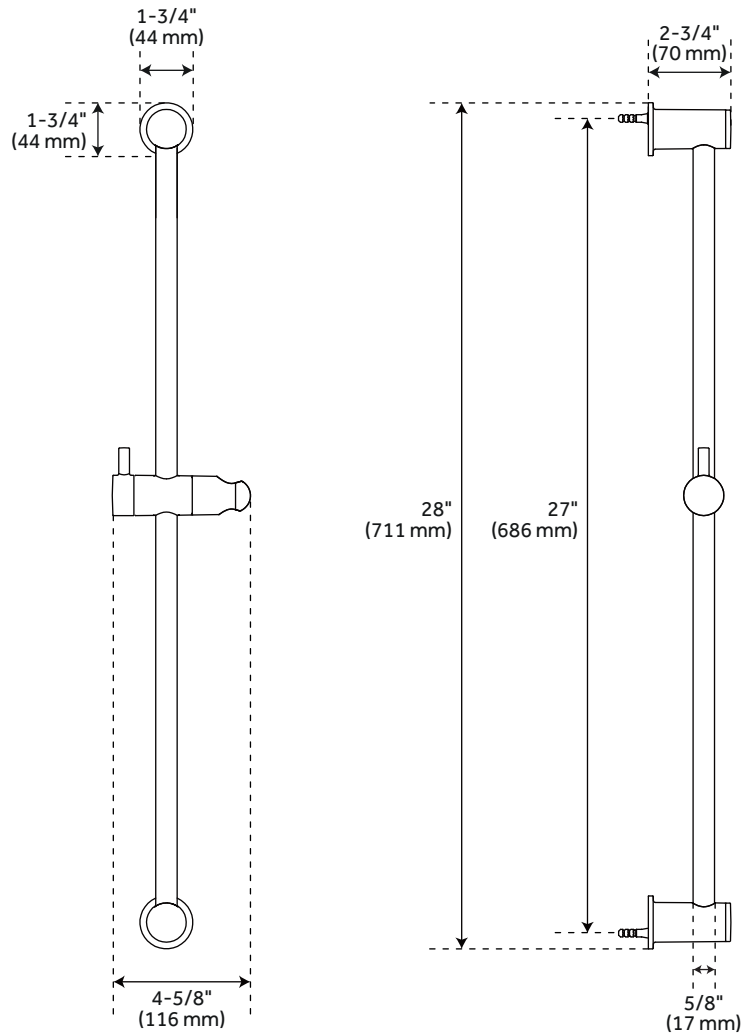
All dimensions and specifications are nominal and may vary. Use actual products for accuracy in critical situations.

PAGE 8
Code: SHHS4030G

LENTZ

SLIDE BAR

SKU: 953088-K



FEATURES

- Material: Brass
- Length: 4-5/8"
- Width: 2-3/4"
- Height: 28"
- Base Plate Height: 1-3/4"
- Base Plate Width: 1-3/4"

PRODUCT IMAGE



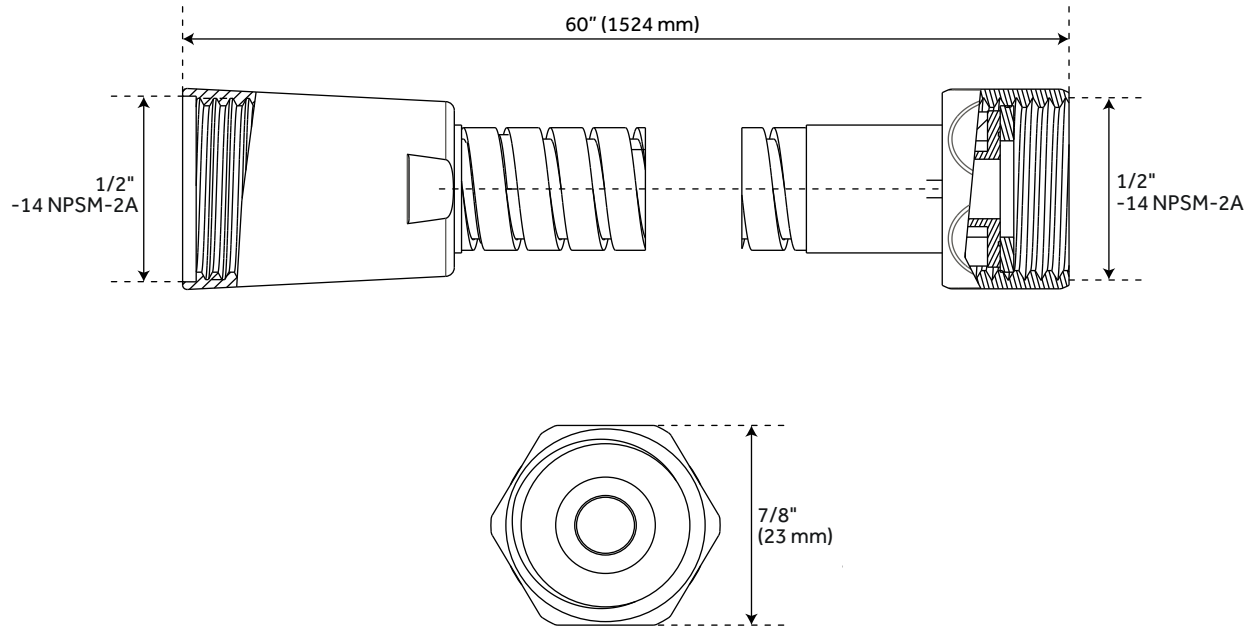
All dimensions and specifications are nominal and may vary. Use actual products for accuracy in critical situations.

PAGE 9
Code: SHSB3040

LENTZ

HAND SHOWER HOSE

SKU: 953088-K



FEATURES

Length: 60"
Connection Type: 1/2"-14 NPSM-2A
Double Spiral Construction
Metal Conical Nut

CODES/STANDARDS

cUPC
ASME A112.18.1/CSA B125.1
Massachusetts Accepted

LISTED ID:

SHH1010



PRODUCT IMAGE



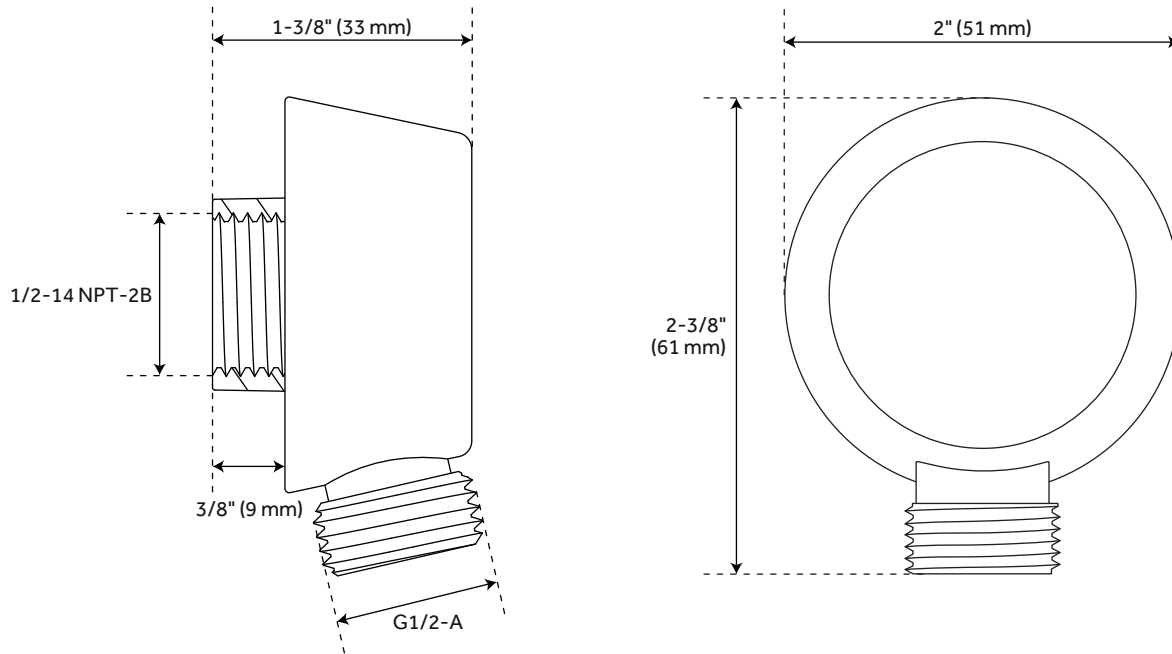
All dimensions and specifications are nominal and may vary. Use actual products for accuracy in critical situations.

PAGE 10
Code: SHH1010

LENTZ

WATER SUPPLY ELBOW

SKU: 953088-K



FEATURES

Material: Brass
Length: 2-3/8"
Width: 2"
Height: 1-3/8"
Wall Connection: 1/2-14 NPT-2B
Hose Connection: G1/2-A

CODES/STANDARDS

cUPC
ASME A112.18.1/CSA B125.1
Massachusetts Accepted

LISTED ID:

SHWE2040

PRODUCT IMAGE



All dimensions and specifications are nominal and may vary. Use actual products for accuracy in critical situations.

PAGE 11
Code: SHWE2040