

LENTZ

FREESTANDING TUB FAUCET - KNOB HANDLE

SKU: 951349



FEATURES

- Material: Brass
- Installation Type: Freestanding
- Design: Modern
- Handle Type: Knob
- Hot and Cold Indicators: No
- Ceramic Disc Cartridges: Yes
- Hand Shower Maximum Flow Rate: 1.8 gpm
(6.8 L/min) @ 80 psi
- Tub Spout Maximum Flow Rate: 10.5 gpm
(39.7 L/min) @ 80 psi
- Single Function Hand Shower Included
- Integral Diverter to Hand Shower
- Handshower Includes Factory Installed Backflow
Prevention Check Valve
- Optional Rough-In Valve Includes Stops
- Installation on an Existing Concrete Slab will
Require Cutting and Concrete Removal

CONTENTS

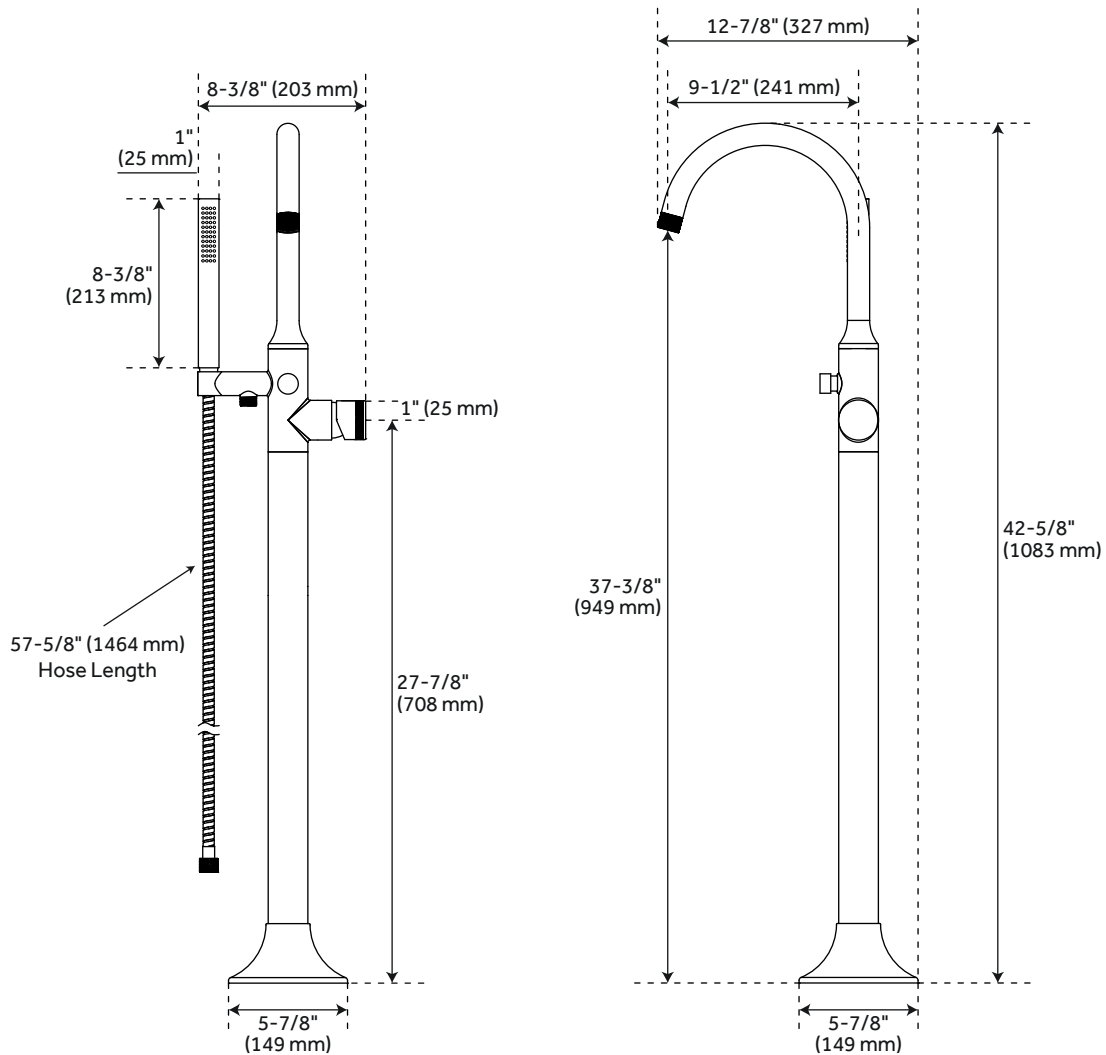
FREESTANDING TUB FAUCET	PAGE 2
ROUGH-IN VALVE	PAGE 3

REVISED 03/25/2021

LENTZ

FREESTANDING TUB FAUCET - KNOB HANDLE

SKU: 951349



FEATURES

- Max Deck Thickness: 1"
- Length: 8-3/8"
- Width: 12-7/8"
- Height: 42-5/8"
- Height to Control Valve: 27-7/8"
- Height to Spout: 37-3/8"
- Spout Reach: 9-1/2"
- Handle Length: 1"
- Base Plate Diameter: 5-7/8"
- Hand Shower Hose Length: 57-5/8"

CODES/STANDARDS

- cUPC
- ASME A112.18.1/CSA B125.1
- WaterSense
- CEC Listed
- Massachusetts Accepted

PRODUCT IMAGE

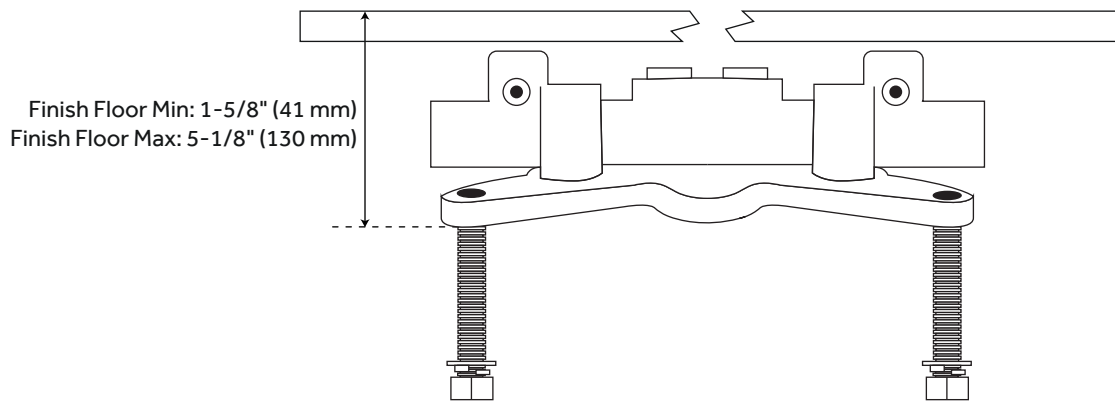
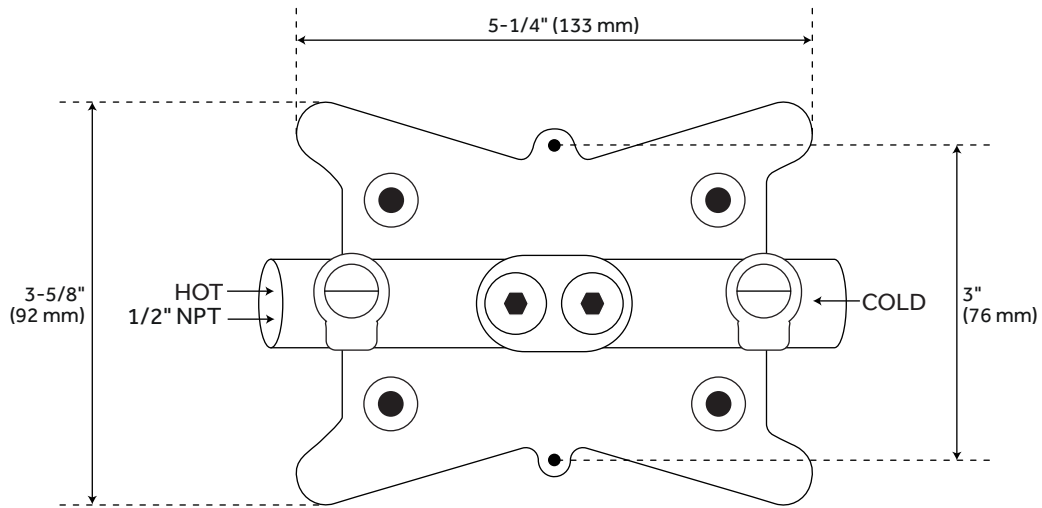


All dimensions and specifications are nominal and may vary. Use actual products for accuracy in critical situations.

PAGE 2
CODE: SHLZFS2000G, SHLZFSTFKNOB

OPTIONAL FREESTANDING TUB FAUCET ROUGH-IN VALVE

SKU: 951349



FEATURES

Material: Brass
 Length: 3-1/2"
 Width: 3-5/8"
 Height: 5-1/8"
 Finish Floor Min: 1-5/8"
 Finish Floor Max: 4-5/8"
 NPT Connection: 1/2"

CODES/STANDARDS

cUPC
 ASME A112.18.1/CSA B125.1
 Massachusetts Accepted

PRODUCT IMAGE



All dimensions and specifications are nominal and may vary. Use actual products for accuracy in critical situations.

PAGE 3
 CODE: SHFSR2000WS