

PINECREST

PRESSURE BALANCE SHOWER SYSTEM WITH DUAL SHOWER HEADS & HAND SHOWER

SKU: 950067



CONTENTS

| | | |
|------------------------|-------|---------|
| DIVERTER VALVE | | PAGE 2 |
| ROUGH-IN VALVE | | PAGE 3 |
| PRESSURE BALANCE VALVE | | PAGE 4 |
| ROUGH-IN VALVE | | PAGE 5 |
| SHOWER HEAD | | PAGE 6 |
| CEILING SHOWER ARM | | PAGE 7 |
| WALL SHOWER ARM | | PAGE 8 |
| HAND SHOWER | | PAGE 9 |
| SLIDE BAR | | PAGE 10 |
| HOSE | | PAGE 11 |
| WATER SUPPLY ELBOW | | PAGE 12 |

FEATURES

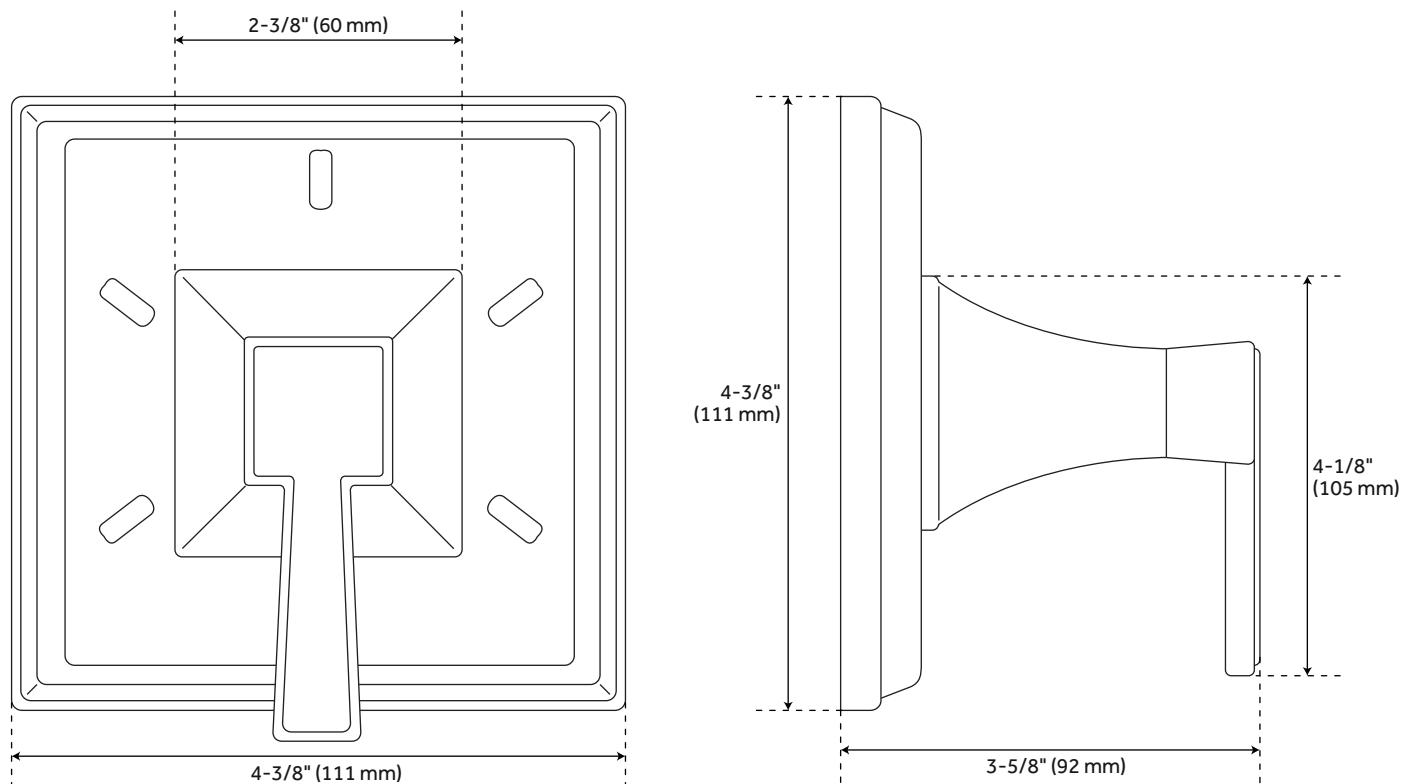
- Metal Handles
- Solid Brass Shower Arms
- Single Function Shower Heads (Full Spray)
- Easy-Clean Silicone Nozzles
- 5 Function Hand Shower (Full Spray, Massage Spray, Aerated Spray, Full & Massage Spray, and Full & Aerated)
- 60" - 72" Stretchable Metal Shower Hose
- Adjustable Angle for Hand Shower Mount
- Optional Pressure Balance Rough-In Valve:
 - One-Piece Cartridge Design for Ease of Maintenance
 - Back-to-Back Capability
 - Ceramic Disc Valve Cartridge
 - Cast Bronze Valve Body
 - Adjustable Temperature Limit Stop
 - Quick Remove Plaster Guard
 - Easy Mounting Brackets
 - Integral Stops
- Optional Diverter Rough-In Valve:
 - Six Total Settings Allow For Shared Water Flow Between Outlets, Giving You The Ability To Use Two Functions At Once
 - Ceramic Cartridge
 - Available Single-Function Diverter Valve Cartridge Restricts Water Flow To One Outlet At A Time
 - Brass Valve Body

REVISED 07/28/2021

PINECREST

DIVERTER VALVE

SKU: 950067



FEATURES

Material: Brass
Handle Type: Lever
Installation Type: Wall Mount
Length: 4-3/8"
Height: 4-3/8"
Depth: 3-5/8"
Diverter Included: Yes
Diverter Outlets: 3

CODES/STANDARDS

cUPC
ASME A112.18.1/CSA B125.1
Massachusetts Accepted

PRODUCT IMAGE



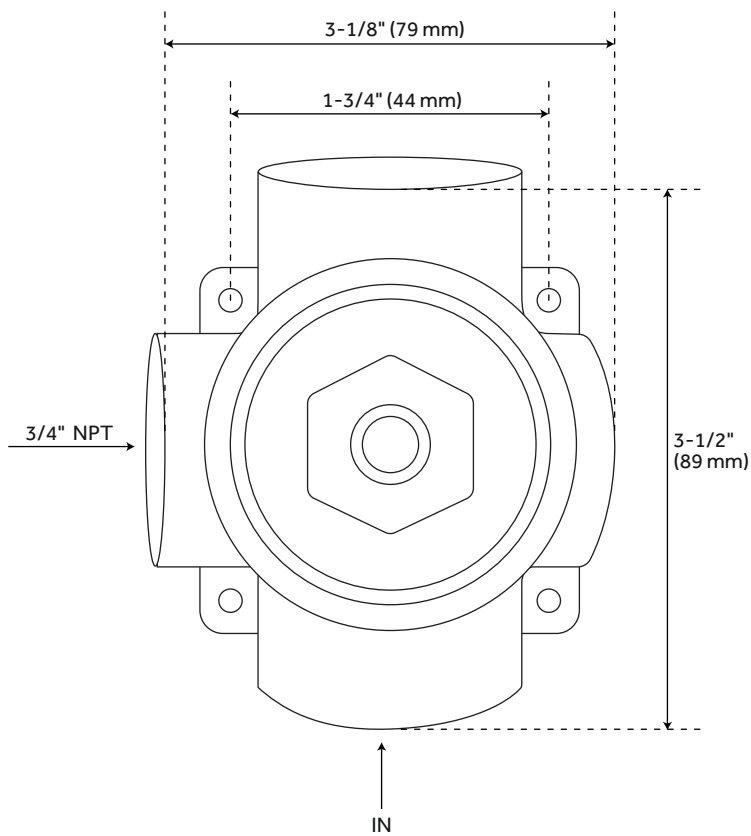
All dimensions and specifications are nominal and may vary. Use actual products for accuracy in critical situations.

PAGE 2
Code: SHPC9005LH, SHPCTVCRS

PINECREST

OPTIONAL DIVERTER ROUGH-IN VALVE

SKU: 950067



FEATURES

Material: Brass
NPT Connection: 3/4"
Ceramic cartridge

CODES/STANDARDS

cUPC
ASME A112.18.1/CSA B125.1
Massachusetts Accepted

PRODUCT IMAGE



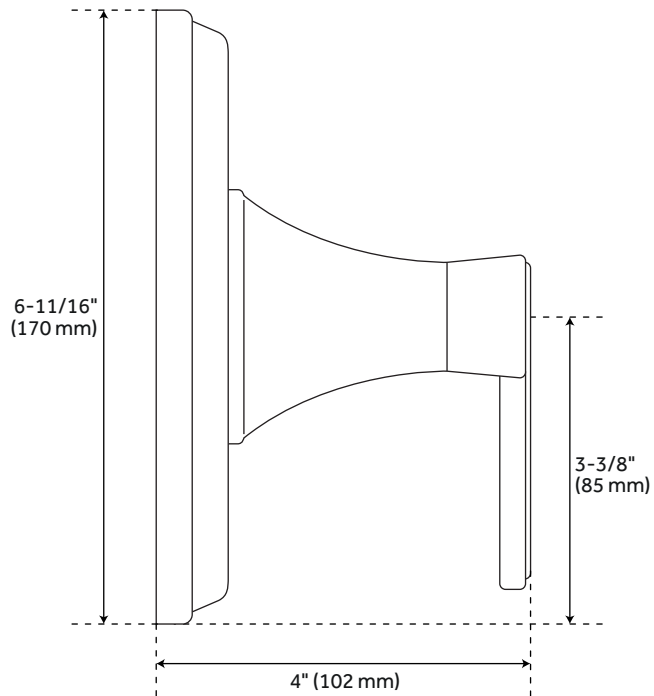
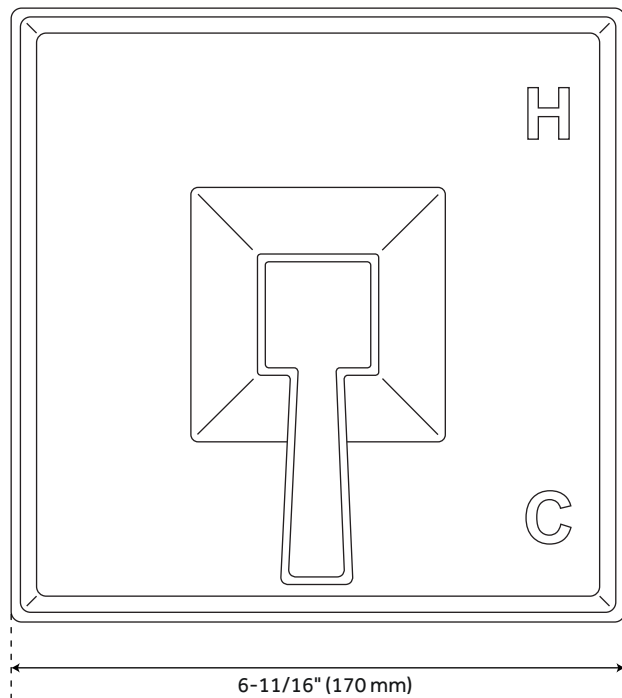
All dimensions and specifications are nominal and may vary. Use actual products for accuracy in critical situations.

PAGE 3
Code: SH6103

PINECREST

PRESSURE BALANCE VALVE

SKU: 950067



FEATURES

Material: Brass
Handle Type: Lever
Installation Type: Wall Mount
Length: 6-11/16"
Height: 6-11/16"
Depth: 4"
Base Plate Height: 6-11/16"
Base Plate Width: 6-11/16"

CODES/STANDARDS

cUPC
ASME A112.18.1/CSA B125.1
Massachusetts Accepted

PRODUCT IMAGE



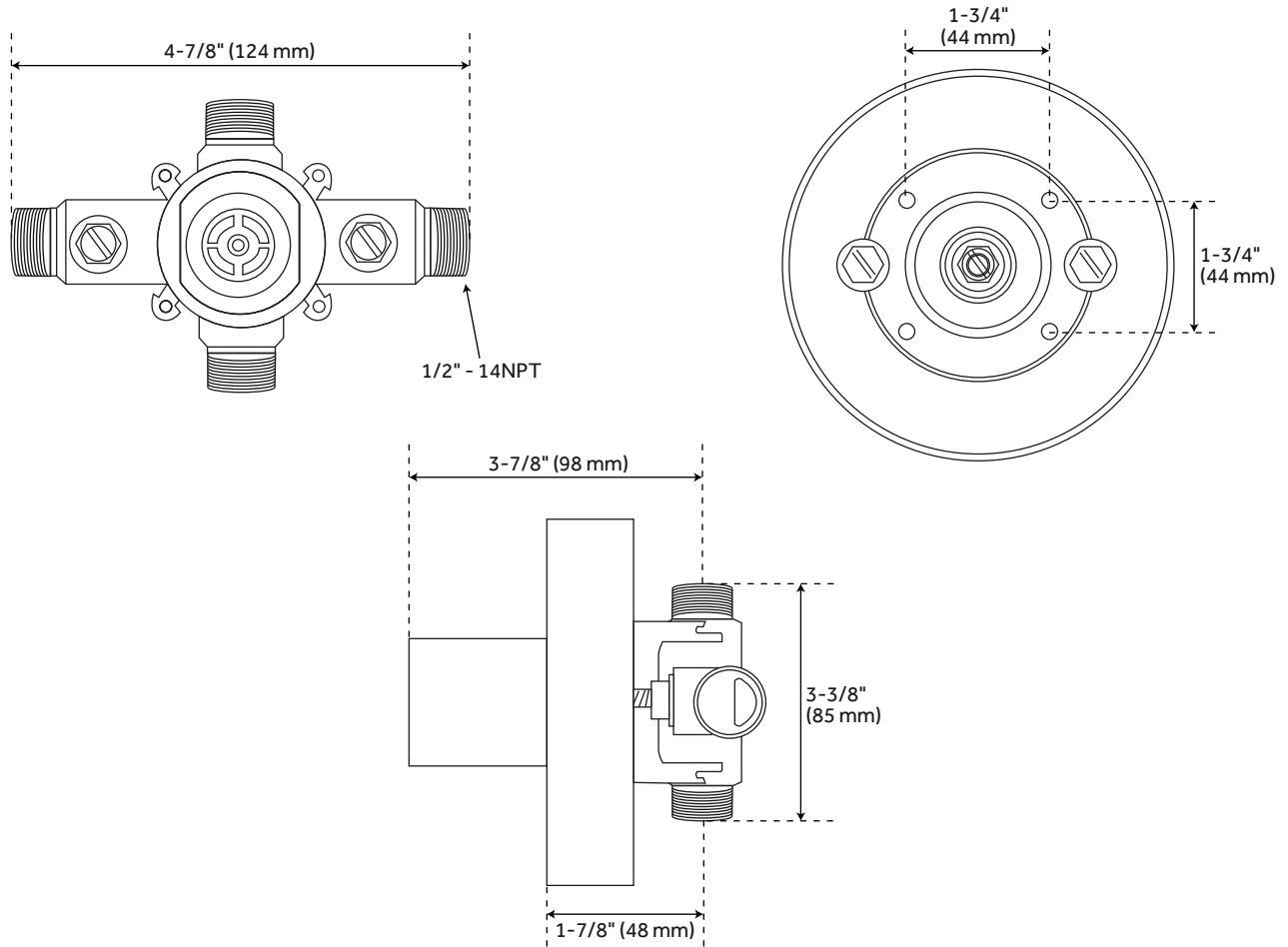
All dimensions and specifications are nominal and may vary. Use actual products for accuracy in critical situations.

PAGE 4
Code: SHPC8010LH, SHPCPBCRS

PINECREST

OPTIONAL PRESSURE BALANCE ROUGH-IN VALVE

SKU: 950067



FEATURES

Material: Bronze
NPT Connection: 1/2"

CODES/STANDARDS

cUPC
ASME A112.18.1/CSA B125.1
ASSE 1016 Type P
Massachusetts Accepted

PRODUCT IMAGE



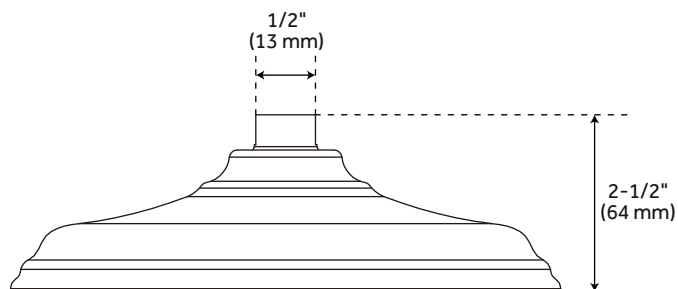
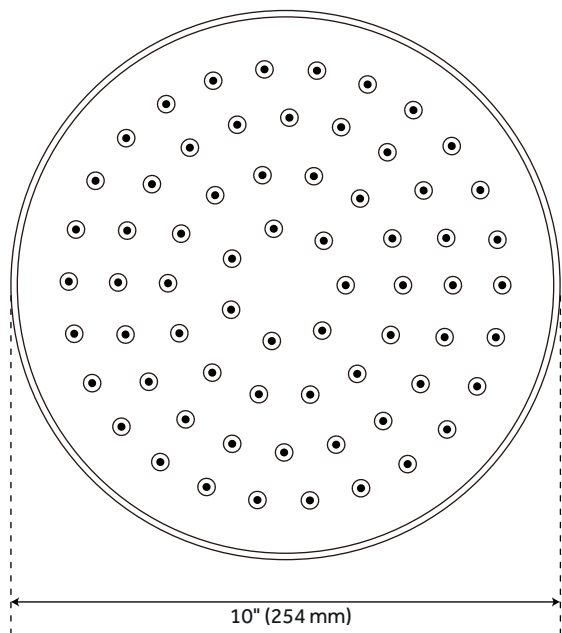
All dimensions and specifications are nominal and may vary. Use actual products for accuracy in critical situations.

PAGE 5
Code: SH4001

PINECREST

CEILING-MOUNT SHOWER HEAD

SKU: 950067



FEATURES

Shape: Round
Installation Type: Wall Mount
Number of Shower Heads: 1
Shower Head Material: Brass
Shower Head Spray: Rainfall
Shower Head Swivel: Yes
Shower Head Flow Rate: 1.8 gpm
(6.8 l/min) @ 80 psi
Diameter: 10"
Height: 2-1/2"
IPS: 1/2"

CODES/STANDARDS

cUPC
ASME A112.18.1/CSA B125.1
CEC Listed
Massachusetts Accepted

PRODUCT IMAGE



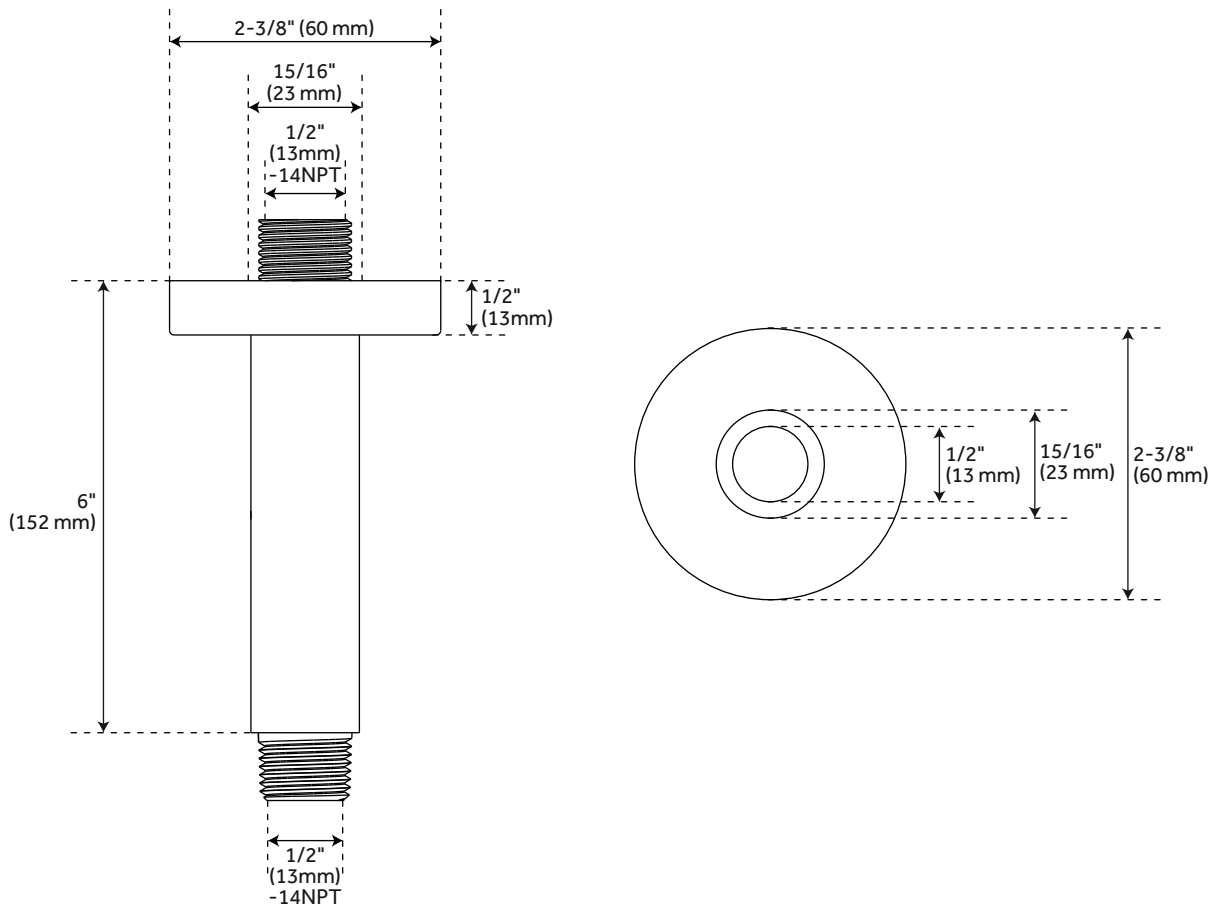
All dimensions and specifications are nominal and may vary. Use actual products for accuracy in critical situations.

PAGE 6
Code: SHRSA120, SHRS820T

PINECREST

CEILING-MOUNT SHOWER ARM

SKU: 950064



FEATURES

- Shape: Round
- Material: Brass
- Features: Shower Arm Only
- Base Plate Diameter: 2-3/8"
- Assembly Required: No
- Installation Type: Ceiling Mount
- Escutcheon Included
- IPS: 1/2"

CODES/STANDARDS

- cCSAus
- ASME A112.18.1/CSA B125.1

PRODUCT IMAGE



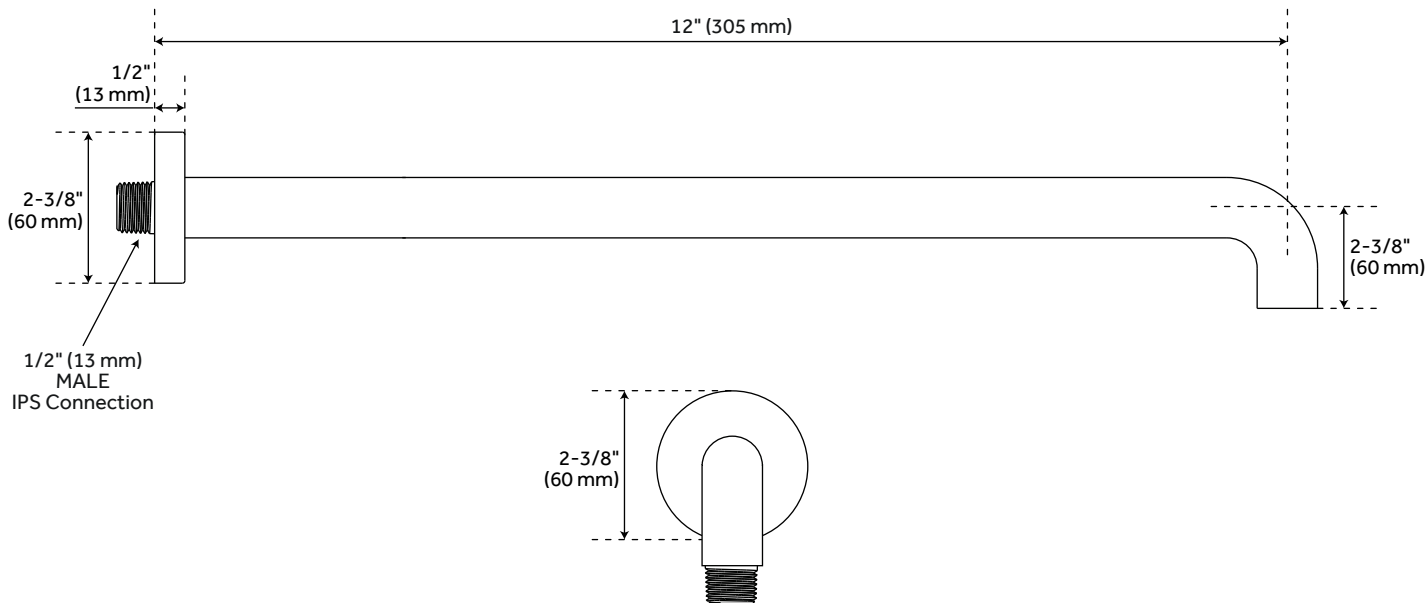
All dimensions and specifications are nominal and may vary. Use actual products for accuracy in critical situations.

PAGE 7
Code: SHRSC60

PINECREST

WALL-MOUNT SHOWER ARM

SKU: 950067



FEATURES

Base Plate Diameter: 2-3/8"
Shower Arm Extension: 12"
Shower Arm Height: 2-3/8"

CODES/STANDARDS

cCSAus
ASME A112.18.1/CSA B125.1
Massachusetts Accepted

PRODUCT IMAGE



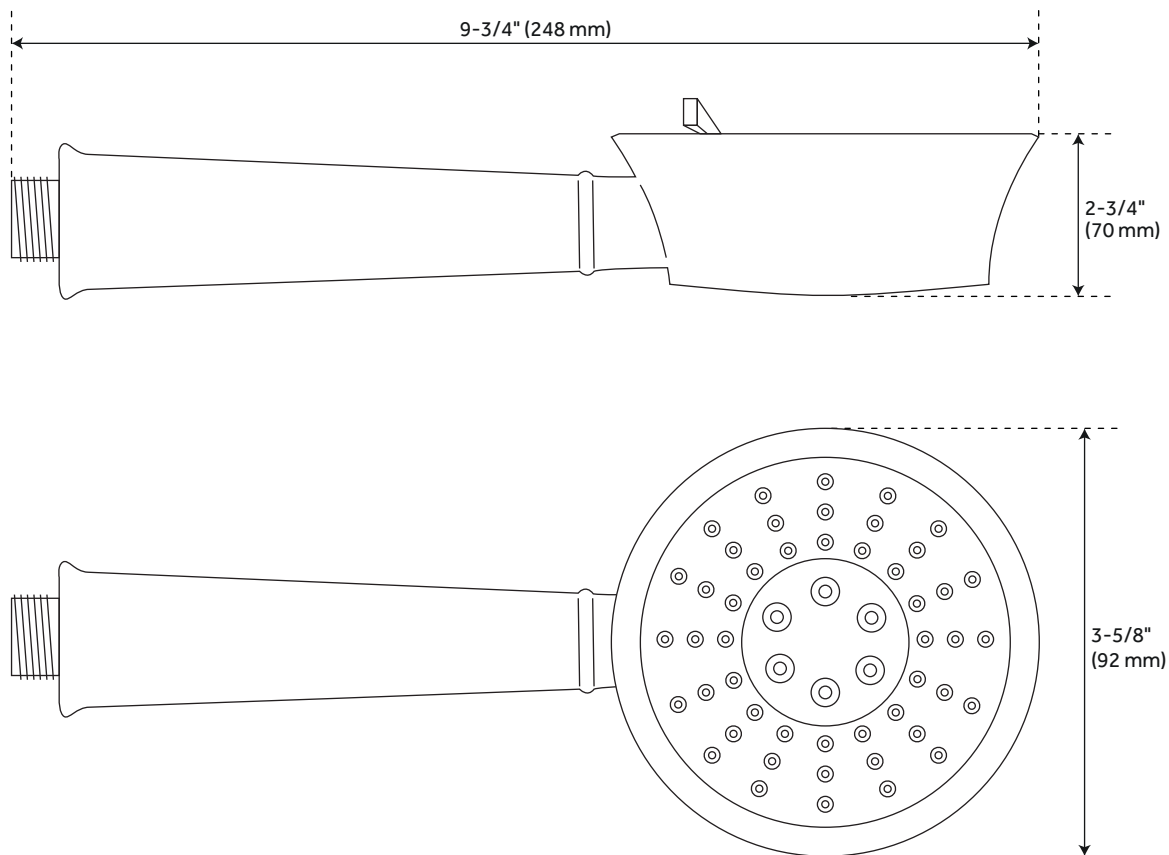
All dimensions and specifications are nominal and may vary. Use actual products for accuracy in critical situations.

PAGE 8
Code: SHPC9005LH, SHPCTVCRS

PINECREST

HAND SHOWER

SKU: 950067



FEATURES

Material: Brass
Installation Type: Wall Mount
Length: 9-3/4"
Height: 3-5/8"
Depth: 2-3/4"
Diverter Included: Yes
Diverter Outlets: 3

CODES/STANDARDS

cUPC
ASME A112.18.1/CSA B125.1
ASME A112.18.3
WaterSense

PRODUCT IMAGE



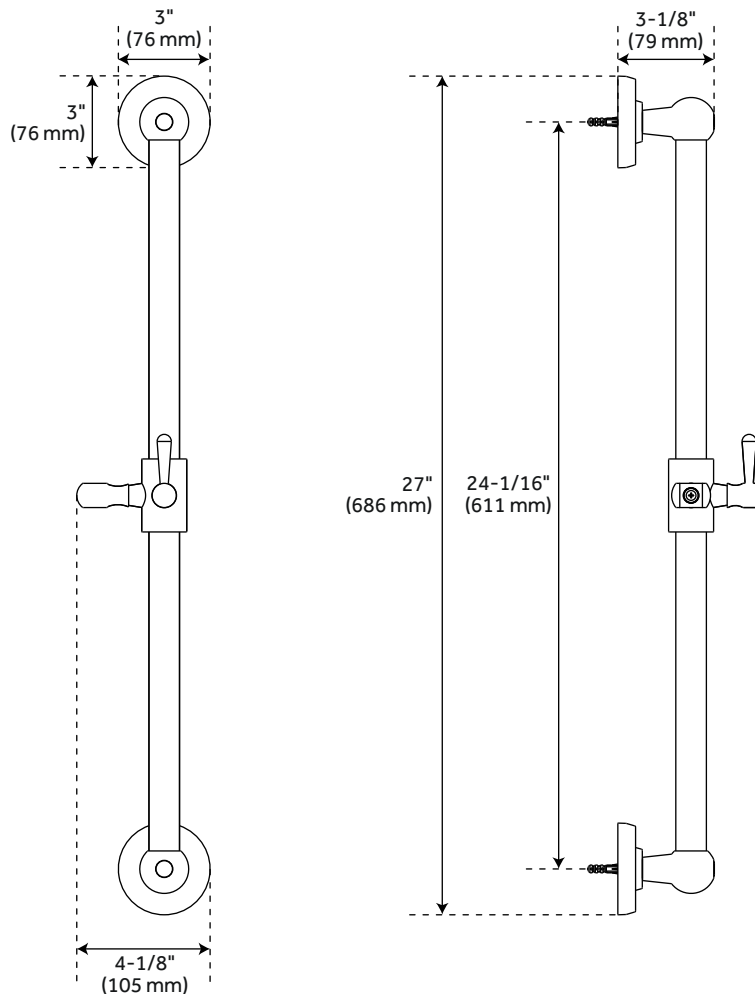
All dimensions and specifications are nominal and may vary. Use actual products for accuracy in critical situations.

PAGE 9
Code: SHHS4090G

PINECREST

SLIDE BAR FOR HAND SHOWER

SKU: 950067



FEATURES

- Material: Brass
- Handle Type: Lever
- Length: 4-1/8"
- Width: 3-1/8"
- Height: 27"
- Assembly Required: No
- Installation Type: Wall Mount
- Mounting Hardware Included: Yes
- Base Plate Height: 3"
- Base Plate Width: 3"

PRODUCT IMAGE



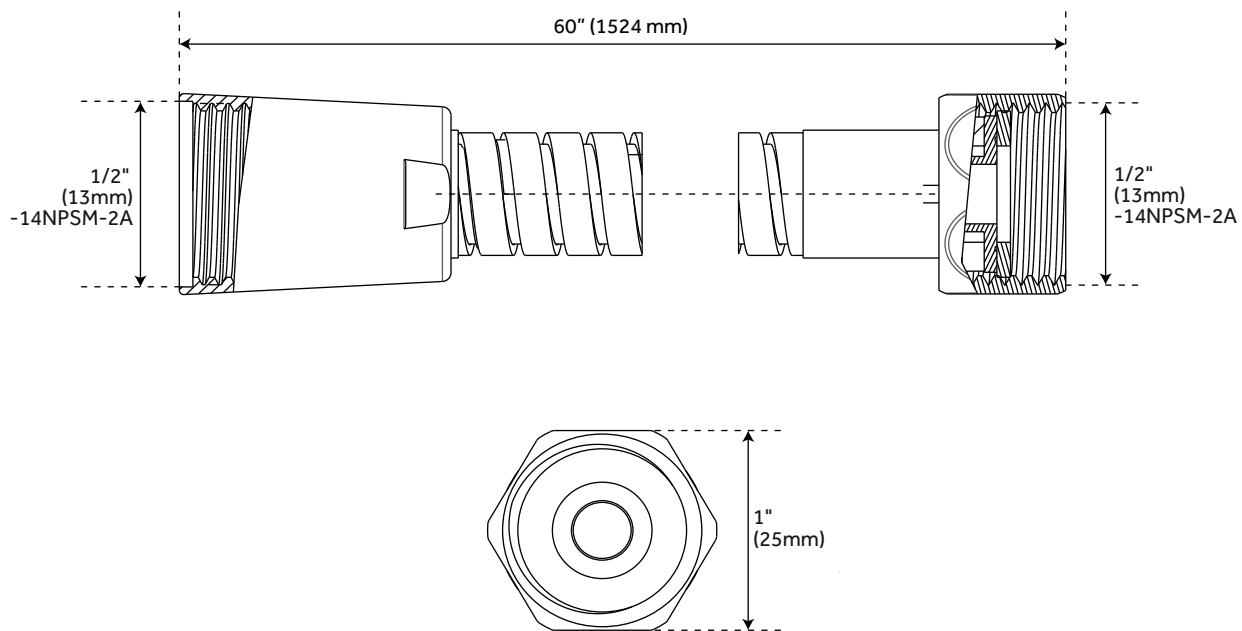
All dimensions and specifications are nominal and may vary. Use actual products for accuracy in critical situations.

PAGE 10
Code: SHSB3010

PINECREST

METAL HOSE FOR HAND SHOWER

SKU: 950067



FEATURES

Length: 60"
NPT Connection: 1/2"
Double Spiral Construction
Metal Conical Nut

CODES/STANDARDS

cUPC
ASME A112.18.1/CSA B125.1
Massachusetts Accepted

PRODUCT IMAGE



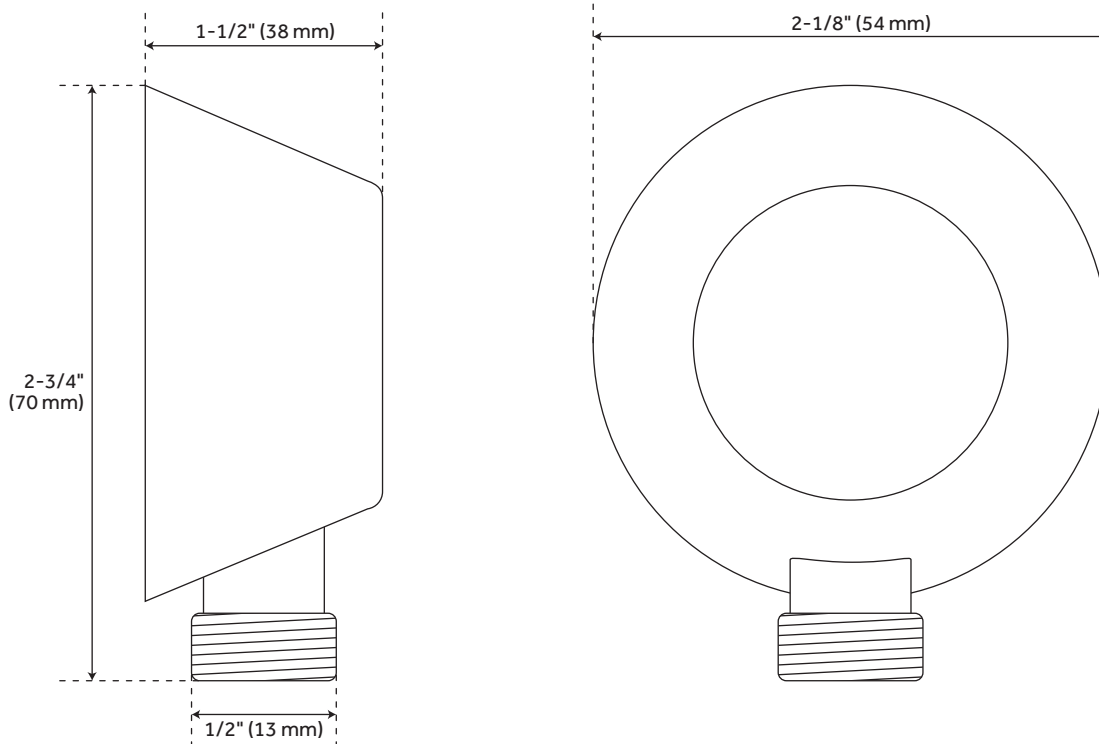
All dimensions and specifications are nominal and may vary. Use actual products for accuracy in critical situations.

PAGE 11

PINECREST

WATER SUPPLY ELBOW FOR HAND SHOWER

SKU: 950067



FEATURES

Material: Brass
Length: 2-1/8"
Width: 2-3/4"
Height: 1-1/2"

PRODUCT IMAGE



All dimensions and specifications are nominal and may vary. Use actual products for accuracy in critical situations.

PAGE 12