

HIBISCUS

SIMPLE SELECT SHOWER SYSTEM WITH RAINFALL SHOWER AND HAND SHOWER - MATTE BLACK

SKU: 949743



FEATURES

- Product Finish: Matte Black
- Material: Brass
- Shape: Square
- Handle Type: Lever
- Features: Hand Shower Included, Pressure-balanced
- Assembly Required: Yes
- Design: Modern
- Mounting Hardware Included: Yes
- Shower Head Installation Type: Ceiling
- Shower Head Material: Brass
- Shower Head Spray: Rainfall
- Shower Arm Included: Yes
- Shower Head Swivel: Yes
- Hand Shower Material: ABS
- Water Connection Included: Yes
- Diverter Included: Yes
- Diverter Outlets: 2
- Dual Functionality Allows for One or Both Shower Features to Run at a Time
- Single Function Shower Head (Full Spray)
- Easy-Clean Silicone Nozzles
- Single Function Hand Shower (Full Spray)
- Optional Rough-In Valve:
 - Pressure Balanced with Integral Stops
 - One-Piece Cartridge Design for Ease of Maintenance
 - Back-to-Back Capability
 - Adjustable Temperature Limit Stop
 - Cast Bronze Body
 - Quick Remove Plaster Guard
 - Easy Mounting Brackets

CONTENTS

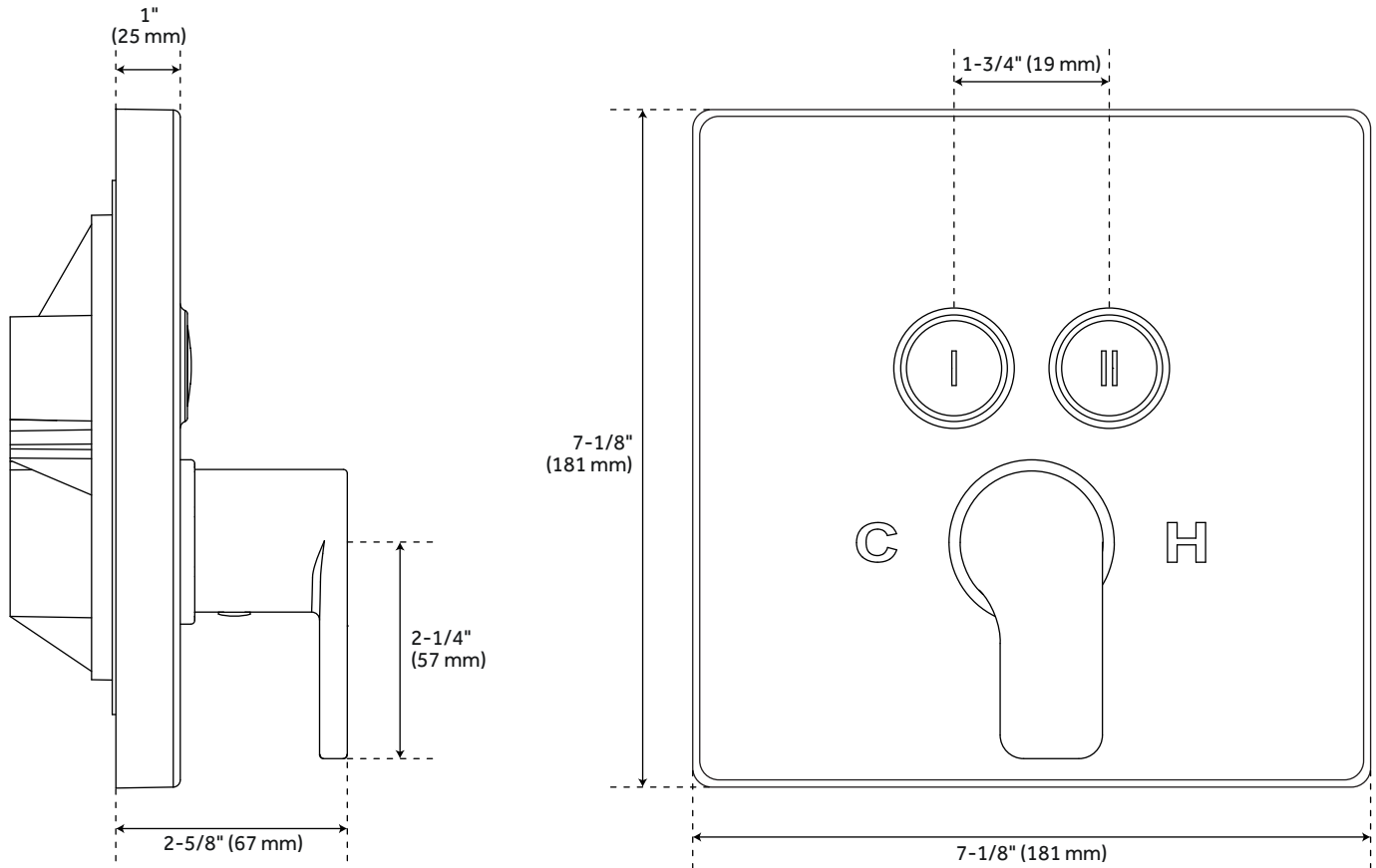
VALVE TRIM	PAGE 2
ROUGH-IN VALVE	PAGE 3
SHOWER HEAD	PAGE 4
SHOWER ARM	PAGE 5
HAND SHOWER	PAGE 6
SLIDE BAR	PAGE 7
HOSE	PAGE 8

REVISED 10/05/2020

HIBISCUS

SIMPLE SELECT TRIM

SKU: 949743



FEATURES

Material: Brass
Width: 7-1/8"
Height: 7-1/8"
Depth: 2-5/8"
NPT Connection: 1/2"

CODES/STANDARDS

cUPC
ASME A112.18.1/CSA B125.1
Massachusetts Accepted

PRODUCT IMAGE



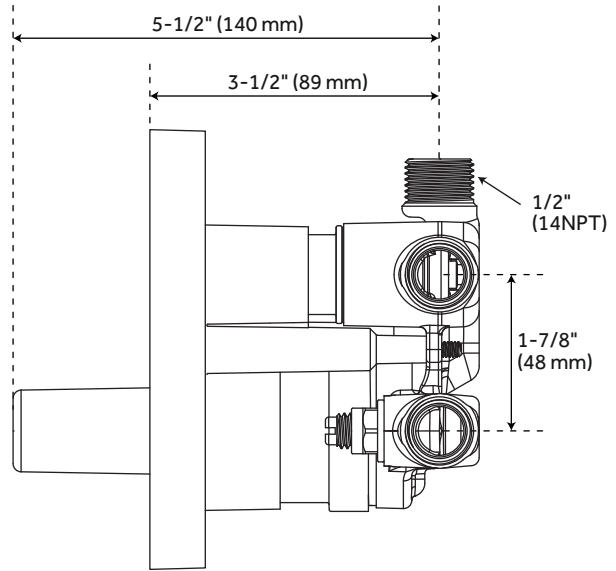
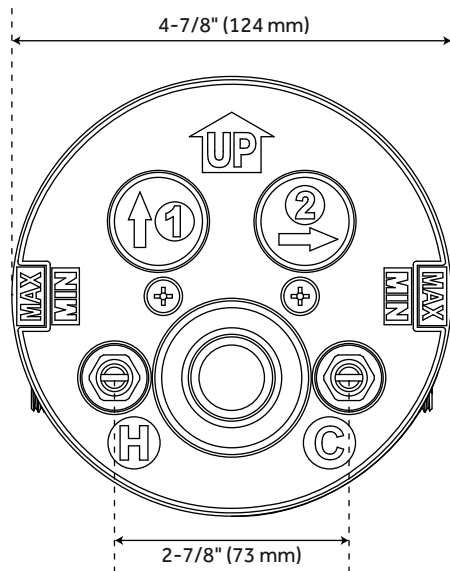
All dimensions and specifications are nominal and may vary. Use actual products for accuracy in critical situations.

PAGE 2
Code: SHHB8040

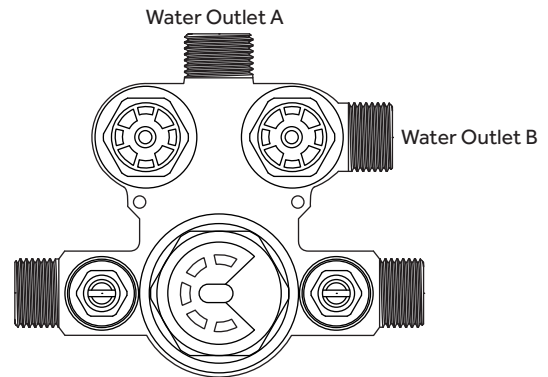
HIBISCUS

OPTIONAL PRESSURE BALANCE ROUGH-IN VALVE FOR SIMPLE SELECT TRIMS

SKU: 949743



Pressure (PSI)		20	40	60	80
Simultaneous (Both Valves Open)	Total (GPM)	3.4	5	6.3	7.4
	Outlet A (GPM)	1.2	2.2	2.9	3.5
	Outlet B (GPM)	2.2	2.8	3.4	3.9
Separate (A or B Closed)	Outlet A (GPM)	2.5	3.9	4.8	5.5
	Outlet B (GPM)	2.5	3.9	4.8	5.5



FEATURES

Material: Bronze
 Length: 4-7/8"
 Width: 4-3/8"
 Depth: 5-1/2"
 NPT Connection: 1/2"

CODES/STANDARDS

cUPC
 ASME A112.18.1/CSA B125.1
 ASSE 1016 Type P
 Massachusetts Accepted

PRODUCT IMAGE



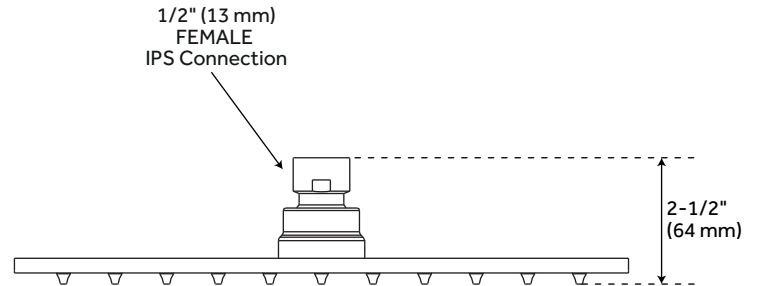
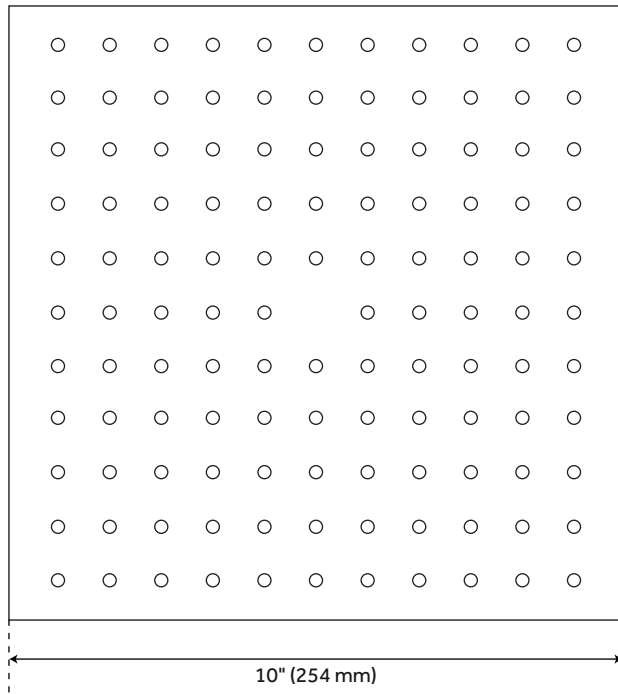
All dimensions and specifications are nominal and may vary. Use actual products for accuracy in critical situations.

PAGE 3
 Code: SH5001SS

HIBISCUS

SQUARE RAINFALL SHOWER HEAD

SKU: 949743



FEATURES

Material: Brass
Length: 10"
Width: 10"
Height: 2-1/2"
IPS: 1/2"
Maximum Flow Rate: 2.5 gpm
(9.5L/min) max @ 80 psi

CODES/STANDARDS

cCSAus
ASME A112.18.1/CSA B125.1

PRODUCT IMAGE



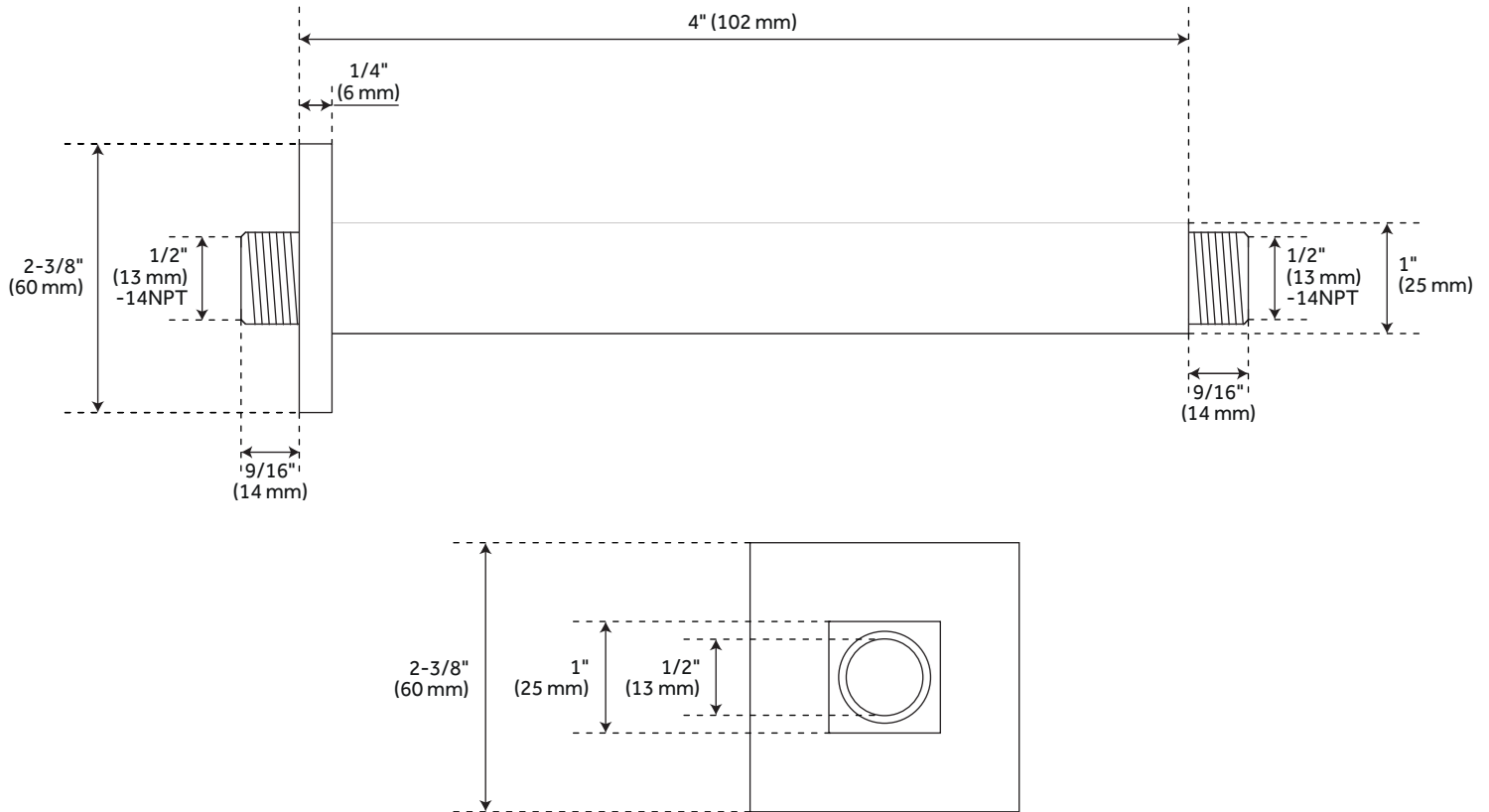
All dimensions and specifications are nominal and may vary. Use actual products for accuracy in critical situations.

PAGE 4
Code: SHRSH1025S

HIBISCUS

CEILING-MOUNT SHOWER ARM

SKU: 949743



FEATURES

- Material: Brass
- Shower Arm Extension: 4"
- Base Plate Length: 2-3/8"
- Base Plate Width: 2-3/8"
- Escutcheon Included
- IPS: 1/2"

PRODUCT IMAGE



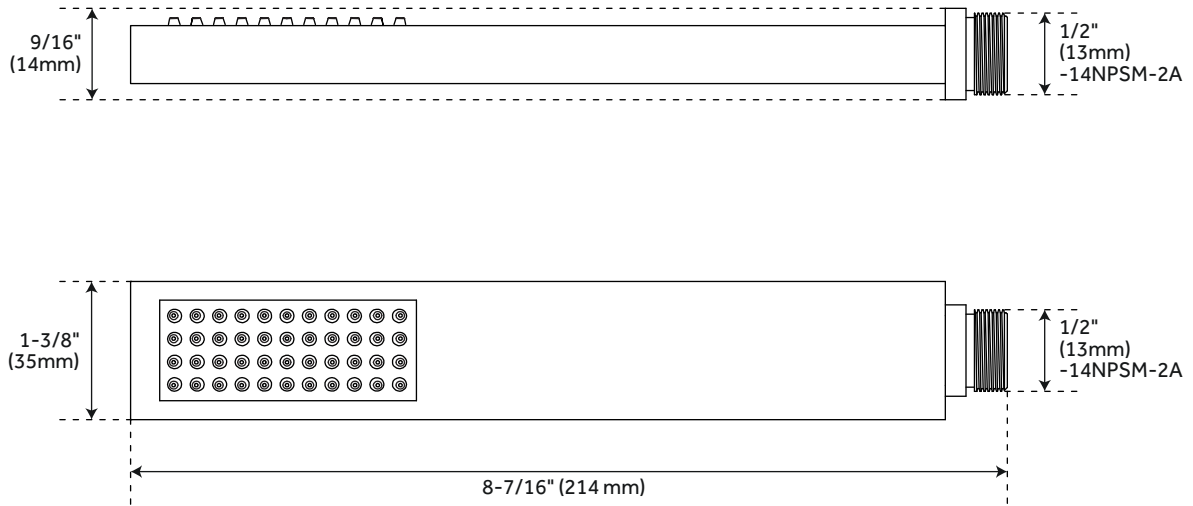
All dimensions and specifications are nominal and may vary. Use actual products for accuracy in critical situations.

PAGE 5
Code: SHRSC40S

HIBISCUS

HAND SHOWER

SKU: 949743



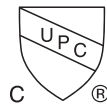
FEATURES

Material: ABS
Length: 8-7/16"
Width: 1-3/8"
Depth: 9/16"
Maximum Flow Rate: 1.8 gpm
(6.8L/min) max @ 80 psi

CODES/STANDARDS

cUPC
ASME A112.18.1/CSA B125.1
ASME A112.18.3
WaterSense
Massachusetts Accepted

PRODUCT IMAGE



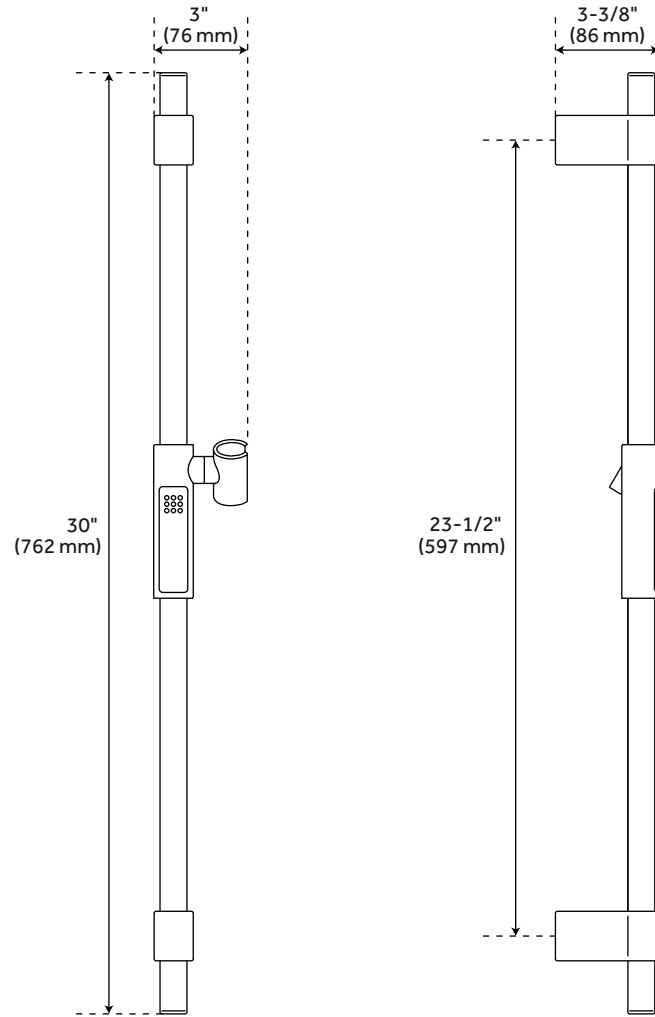
All dimensions and specifications are nominal and may vary. Use actual products for accuracy in critical situations.

PAGE 6
Code: SHHS4080G

HIBISCUS

30" SLIDE BAR

SKU: 949743



FEATURES

- Length: 30"
- Width: 3-3/8"
- Height: 30"
- Base Plate Width: 3/4"
- Base Plate Height: 1-1/2"
- Slide bar outside diameter: 7/8"
- Mounting Centers: 23-1/2"

PRODUCT IMAGE

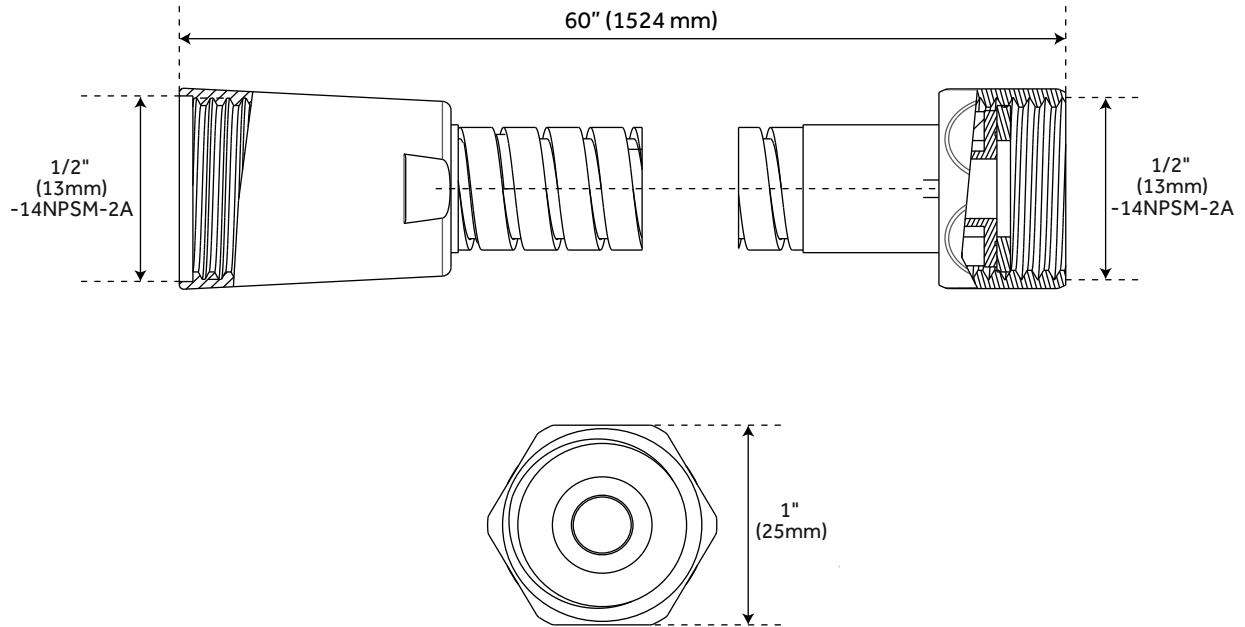


All dimensions and specifications are nominal and may vary. Use actual products for accuracy in critical situations.

HIBISCUS

METAL HOSE FOR HAND SHOWER

SKU: 949743



FEATURES

Length: 60"
NPT Connection: 1/2"
Double Spiral Construction
Metal Conical Nut

CODES/STANDARDS

cUPC
ASME A112.18.1/CSA B125.1
Massachusetts Accepted

PRODUCT IMAGE



All dimensions and specifications are nominal and may vary. Use actual products for accuracy in critical situations.

PAGE 8
Code: SHH1010