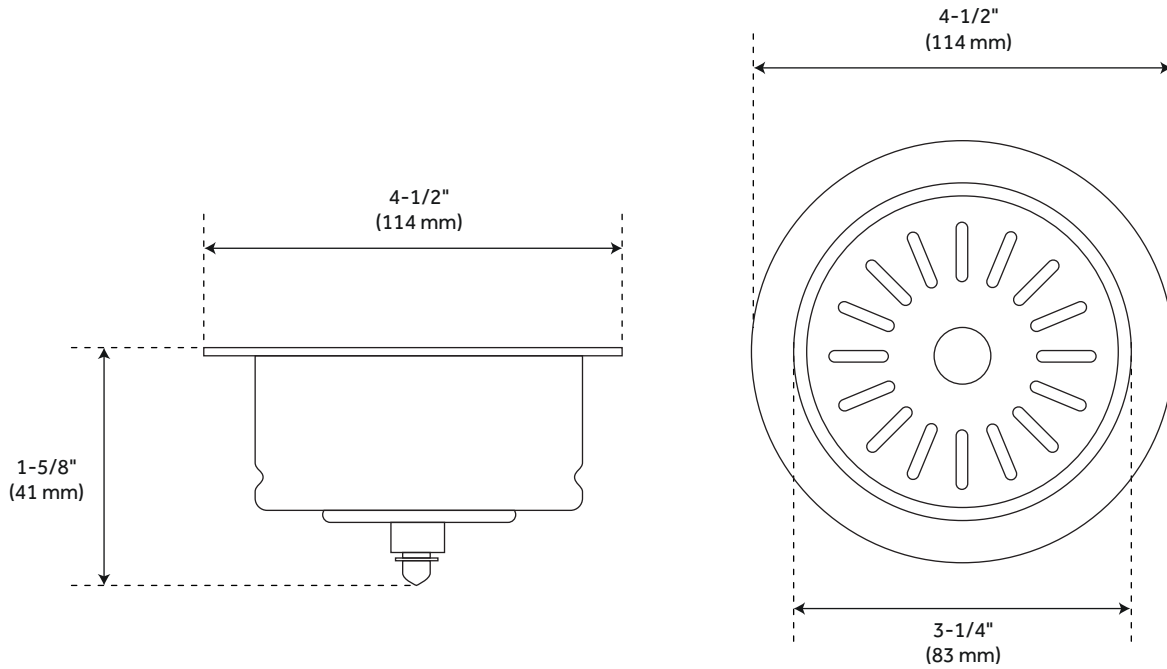


DISPOSAL FLANGE

3-1/2" KITCHEN SINK DISPOSAL FLANGE & STRAINER BASKET

SKU:949204



FEATURES

Material: Brass
Width: 4-1/2"
Height: 1-5/8"
Maximum Sink Thickness: 4-1/2"
Will fit a sink up to 5/8" thick.
Fits InSinkErator. (TM)™ and most
waste disposers

CODES/STANDARDS

cCSAus
ASME A112.18.2/CSA B125.2

SIGNATURE HARDWARE LIFETIME WARRANTY

See website for warranty information



All dimensions and specifications are nominal and may vary. Use actual products for accuracy in critical situations.

REVISED 01/22/2020
Code: SHDF130ORB/SHDF130PN
SHDF130SS/SHDF130CP