

VINTAGE

MULTIFUNCTION HAND SHOWER AND SLIDE BAR

SKU: 949073



FEATURES

- Handle Type: Lever
- Features: Hand Shower Included
- Assembly Required: No
- Installation Type: Wall Mount
- Mounting Hardware Included: Yes
- Metal Bar and Mounting Posts
- Adjustable Angle For Handshower Mount
- 5 Function Hand Shower (Full Spray, Massage Spray, Aerated Spray, Full & Massage Spray, and Full & Aerated Spray)
- Factory Installed Backflow Prevention Check Valve
- 60" - 72" Stretchable Metal Shower Hose
- Double Spiral Constructed Hose
- Hand Shower Flow Rate: 1.8 gpm (6.8 L/min) @ 80 psi

CONTENTS

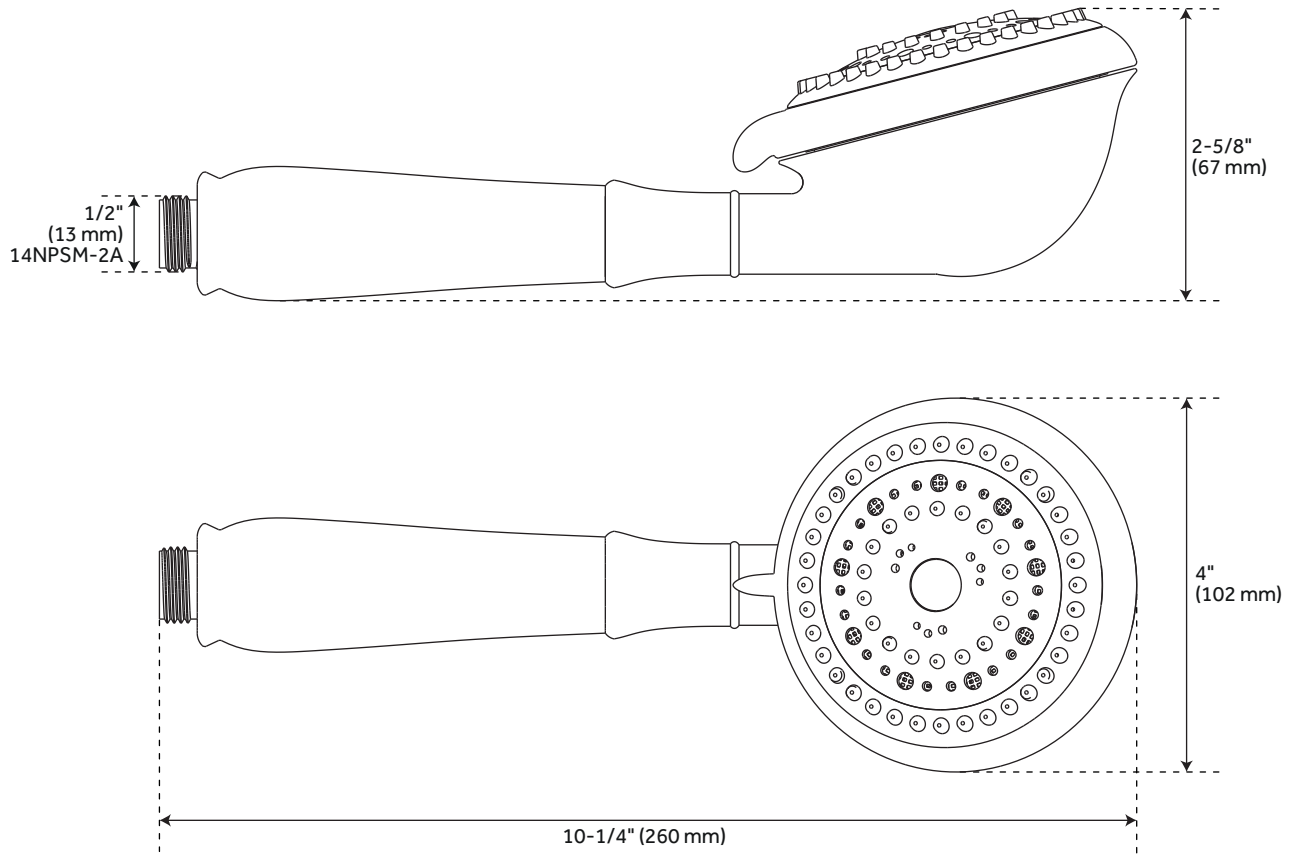
HAND SHOWER	PAGE 2
SLIDE BAR	PAGE 3
HOSE	PAGE 4

REVISED 07/28/2021

VINTAGE

MULTIFUNCTION HAND SHOWER

SKU: 949073



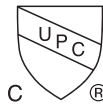
FEATURES

Material: ABS
Shape: Round
Length: 4"
Width: 2-5/8"
Height: 10-1/4"

CODES/STANDARDS

cUPC
ASME A112.18.1/CSA B125.1
ASME A112.18.3
WaterSense
CEC Listed
Massachusetts Accepted

PRODUCT IMAGE



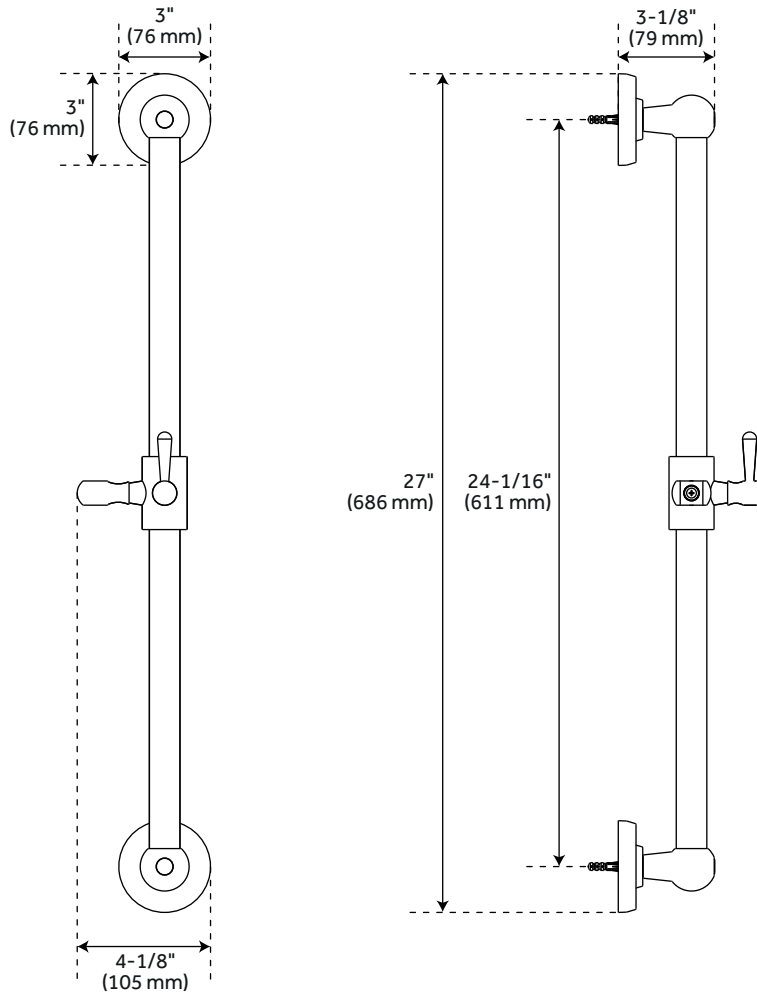
All dimensions and specifications are nominal and may vary. Use actual products for accuracy in critical situations.

PAGE 2
Code: SHHS4050G

VINTAGE

SLIDE BAR

SKU: 949073



FEATURES

- Material: Brass
- Handle Type: Lever
- Length: 4-1/8"
- Width: 3-1/8"
- Height: 27"
- Base Plate Height: 3"
- Base Plate Width: 3"

PRODUCT IMAGE



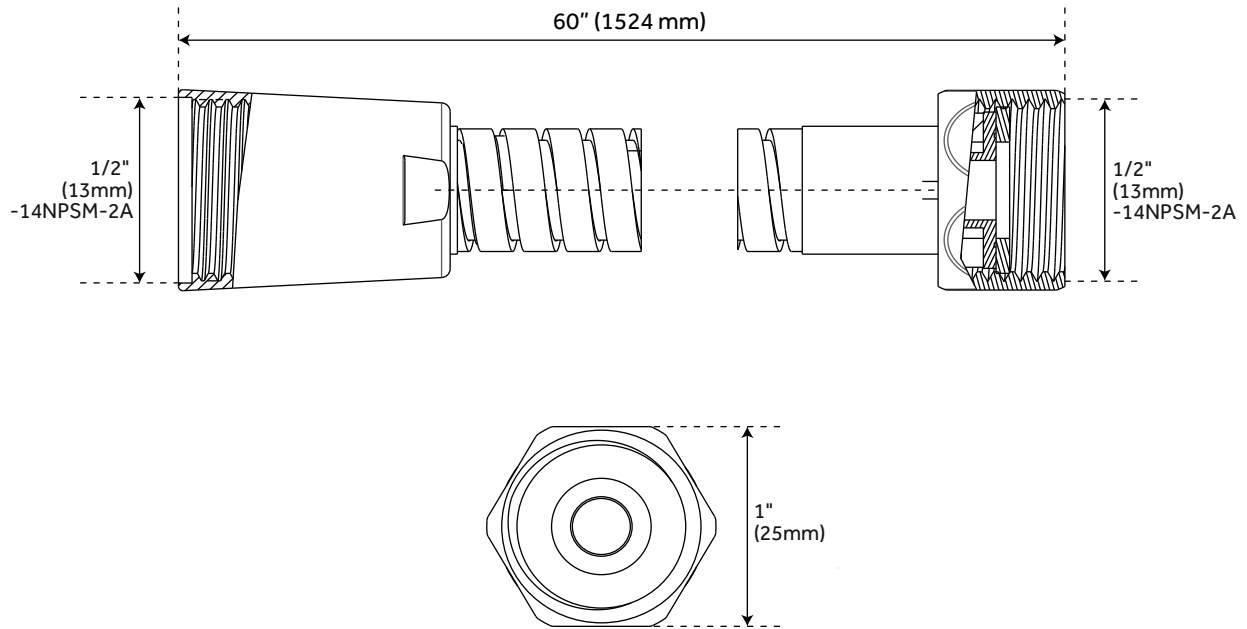
All dimensions and specifications are nominal and may vary. Use actual products for accuracy in critical situations.

PAGE 3
Code: SHSB3030

VINTAGE

METAL HAND SHOWER HOSE

SKU: 949073



FEATURES

Length: 60"
Width: 1/2"
NPT Connection: 1/2"
Metal Conical Nut

CODES/STANDARDS

cUPC
ASME A112.18.1/CSA B125.1
Massachusetts Accepted

PRODUCT IMAGE



All dimensions and specifications are nominal and may vary. Use actual products for accuracy in critical situations.

PAGE 4
Code: SHH1010