

HIBISCUS

SIMPLE SELECT 2-WAY PRESSURE BALANCE SHOWER VALVE

SKU: 948974



FEATURES

Shape: Square
Features: Pressure-Balanced
Assembly Required: No
Installation Type: Wall Mount
Diverter Included: Yes
Diverter Outlets: 2
Dual Functionality Allows For One or Both Shower Features to Run at a Time

Optional Rough-In Valve:

Pressure Balanced With Integral Stops
One-Piece Cartridge Design For Ease of Maintenance
Back-to-Back Capability
Adjustable Temperature Limit Stop
Quick Remove Plaster Guard
Easy Mounting Brackets
With Restrictor Installed, This Valve is Compliant With CALGreen and the California Plumbing Code

CONTENTS

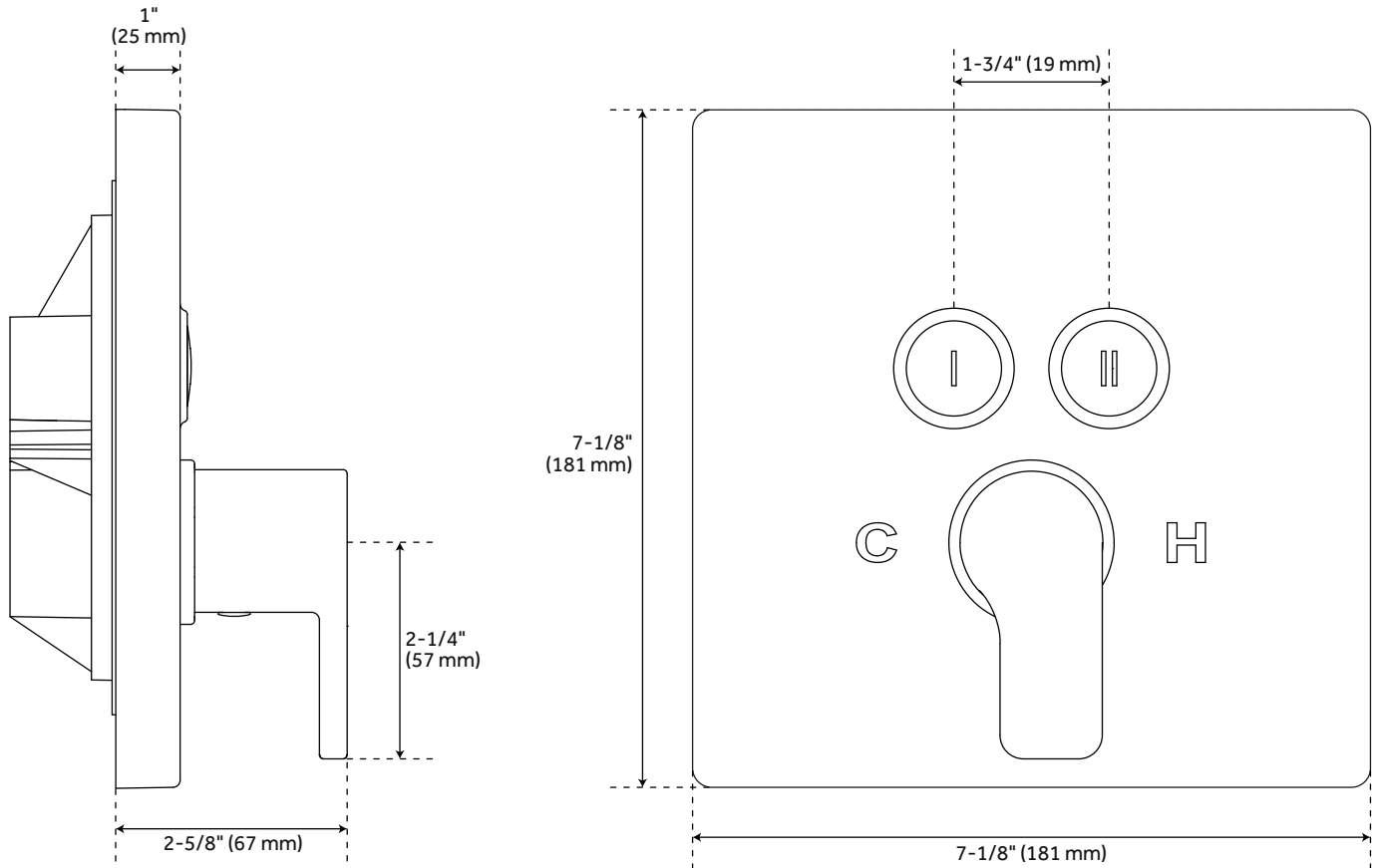
TRIM PAGE 2
ROUGH-IN VALVE PAGE 3

REVISED 03/18/2021

HIBISCUS

SIMPLE SELECT 2-WAY PRESSURE BALANCE SHOWER VALVE TRIM

SKU: 948974



FEATURES

Material: Brass
Width: 7-1/8"
Height: 7-1/8"
Depth: 2-5/8"
Connection: 1/2" NPT

CODES/STANDARDS

cUPC
ASME A112.18.1/CSA B125.1
Massachusetts Accepted

PRODUCT IMAGE



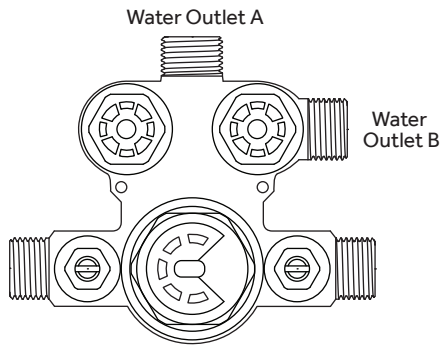
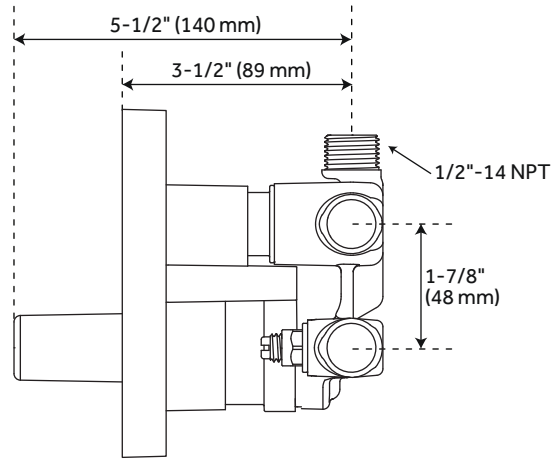
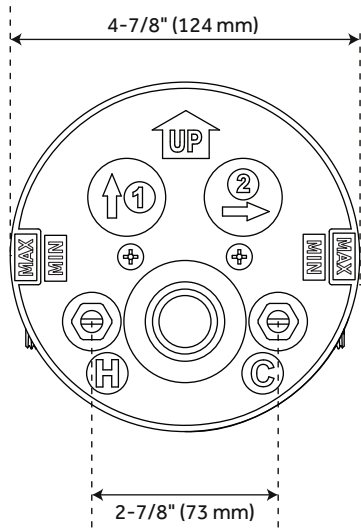
All dimensions and specifications are nominal and may vary. Use actual products for accuracy in critical situations.

PAGE 2
Code: SHHB8040

HIBISCUS

OPTIONAL PRESSURE BALANCE ROUGH-IN VALVE

SKU: 948974



STANDARD:

Pressure (psi)		20	40	60	80
Simultaneous (Both Valves Open)	Total (gpm)	3.4	5	6.3	7.4
	Outlet A (gpm)	1.2	2.2	2.9	3.5
	Outlet B (gpm)	2.2	2.8	3.4	3.9
Separate (A or B Closed)	Outlet A (gpm)	2.5	3.9	4.8	5.5
	Outlet B (gpm)	2.5	3.9	4.8	5.5

WITH FLOW RESTRICTOR:

Pressure (psi)		20	40	60	80
Simultaneous (Both Valves Open)	Total (gpm)	1.20	1.40	1.53	1.64
	Outlet A (gpm)	0.43	0.56	0.64	0.68
	Outlet B (gpm)	0.77	0.84	0.89	0.96
Separate (A or B Closed)	Outlet A (gpm)	1.17	1.38	1.49	1.59
	Outlet B (gpm)	1.16	1.39	1.49	1.60

FEATURES

- Length: 4-7/8"
- Width: 4-3/8"
- Depth: 5-1/2"
- Connection: 1/2"-14 NPT

CODES/STANDARDS

- cUPC
- ASME A112.18.1/CSA B125.1
- ASSE 1016 Type P
- Massachusetts Accepted

PRODUCT IMAGE



All dimensions and specifications are nominal and may vary. Use actual products for accuracy in critical situations.