

RIGI

PRESSURE BALANCE SHOWER VALVE TRIM

SKU: 948895



FEATURES

Material: Brass
Shape: Square
Handle Type: Lever
Installation Type: Wall Mount
Features: Pressure-Balanced
Assembly Required: No
Design: Modern
Metal Handle

Optional Rough-In Valve:

Pressure Balance Valve With Integral Stops
One-Piece Cartridge Design
For Ease of Maintenance
Back-to-back Capability
Ceramic Disc Valve Cartridge
Cast Bronze Valve Body
Adjustable Temperature Limit Stop
Quick Remove Plaster Guard
Easy Mounting Brackets

CONTENTS

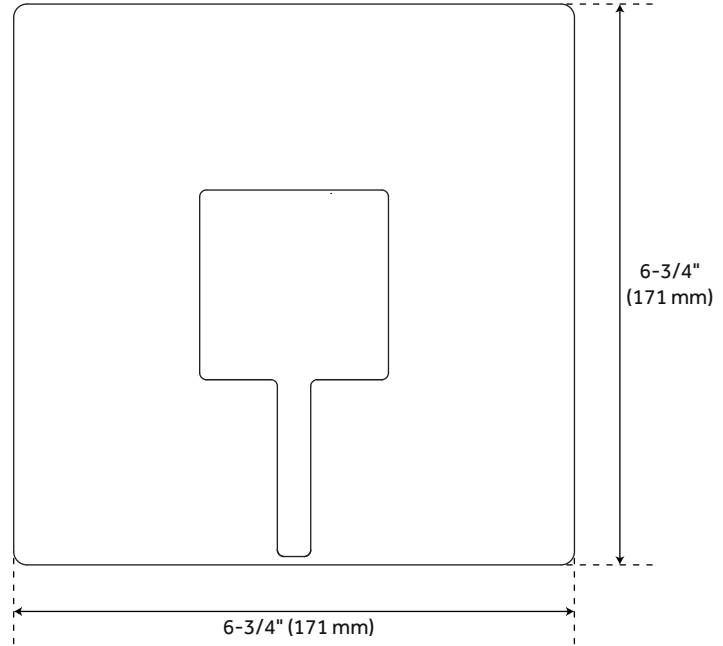
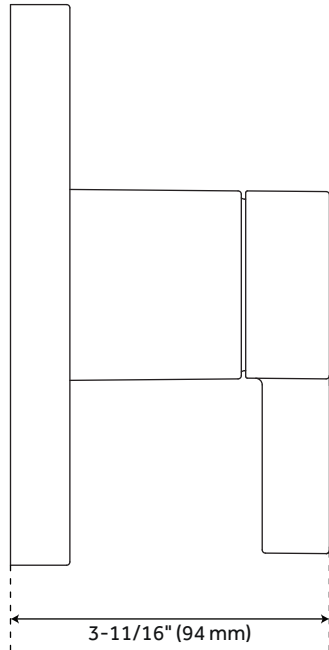
TRIM PAGE 2
ROUGH-IN VALVE PAGE 3

REVISED 04/06/2021

RIGI

PRESSURE BALANCE SHOWER VALVE TRIM

SKU: 948895



FEATURES

Material: Brass
Width: 6-3/4"
Height: 6-3/4"
Depth: 3-11/16"
Connection: 1/2" NPT

CODES/STANDARDS

cUPC
ASME A112.18.1/CSA B125.1
ICC/ANSI A117.1 (when installed
according to ADA standards)
Massachusetts Accepted

PRODUCT IMAGE

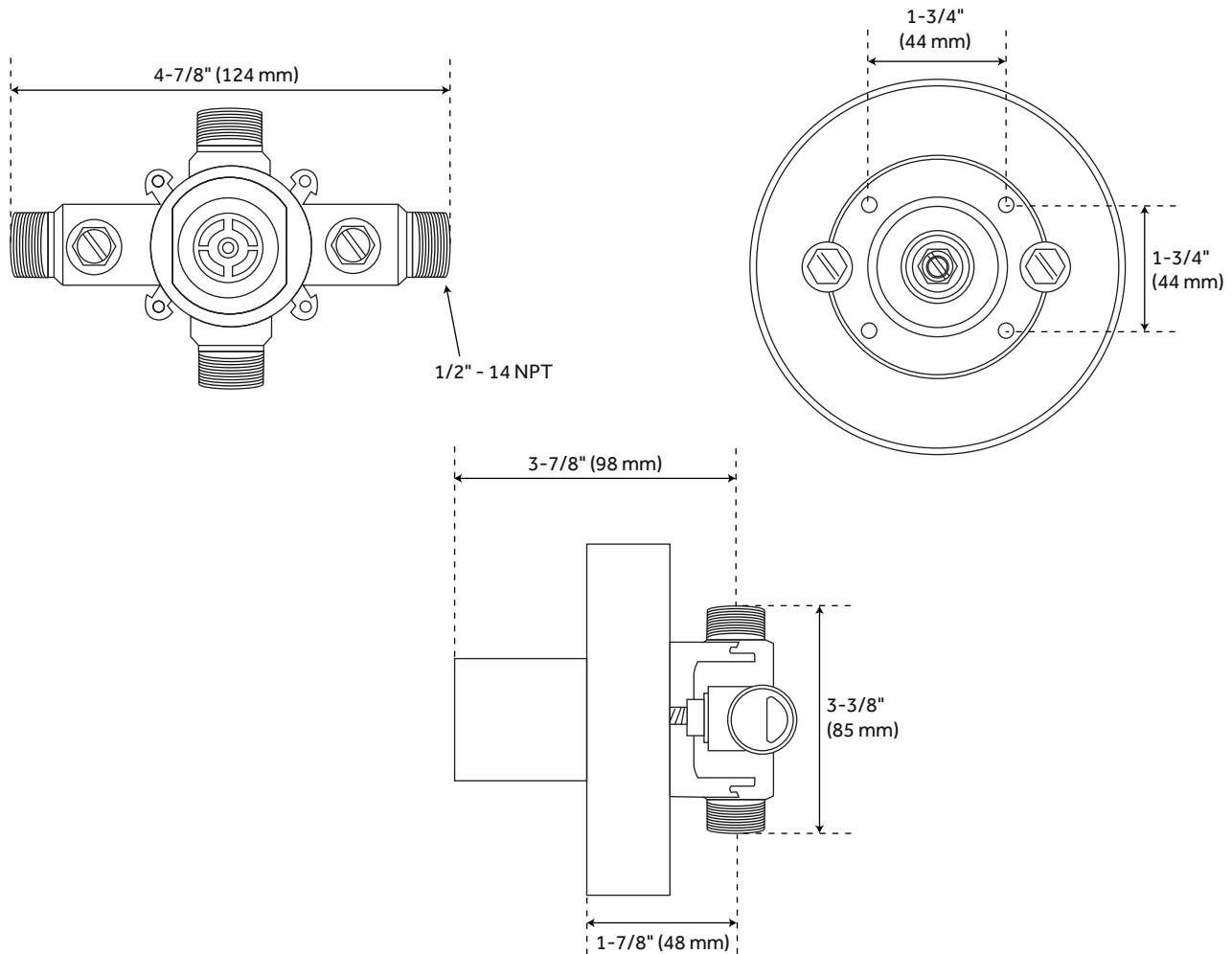


All dimensions and specifications are nominal and may vary. Use actual products for accuracy in critical situations.

PAGE 2
Code: SHRI8010

OPTIONAL PRESSURE BALANCE TUB & SHOWER ROUGH-IN VALVE

SKU: 948895



FEATURES

Material: Bronze
 Connection: 1/2" - 14 NPT

CODES/STANDARDS

cUPC
 ASME A112.18.1/CSA B125.1
 ASSE 1016 Type P
 Massachusetts Accepted

PRODUCT IMAGE



All dimensions and specifications are nominal and may vary. Use actual products for accuracy in critical situations.

PAGE 3
 Code: SH4001