

BEASLEY

THERMOSTATIC SHOWER VALVE TRIM

SKU: 948778



FEATURES

- Material: Brass
- Design: Traditional
- Shape: Round
- Handle Type: Lever
- Features: Thermostatic
- Installation Type: Wall Mount
- Assembly Required: No
- Mounting Hardware Included: Yes
- Metal Handle
- Temperature Outlet Factory Preset To 104 Degrees Fahrenheit
- Temperature Can Be Easily Adjusted Up And Down To User's Comfort Level
- Scald Guard Protection
- Thermostatic Technology Keeps Shower Temperature Within 1 Degree Celsius
- For Proper Installation, Requires Use of Volume Control Valve and Trim
- Optional Rough-In Valve

CONTENTS

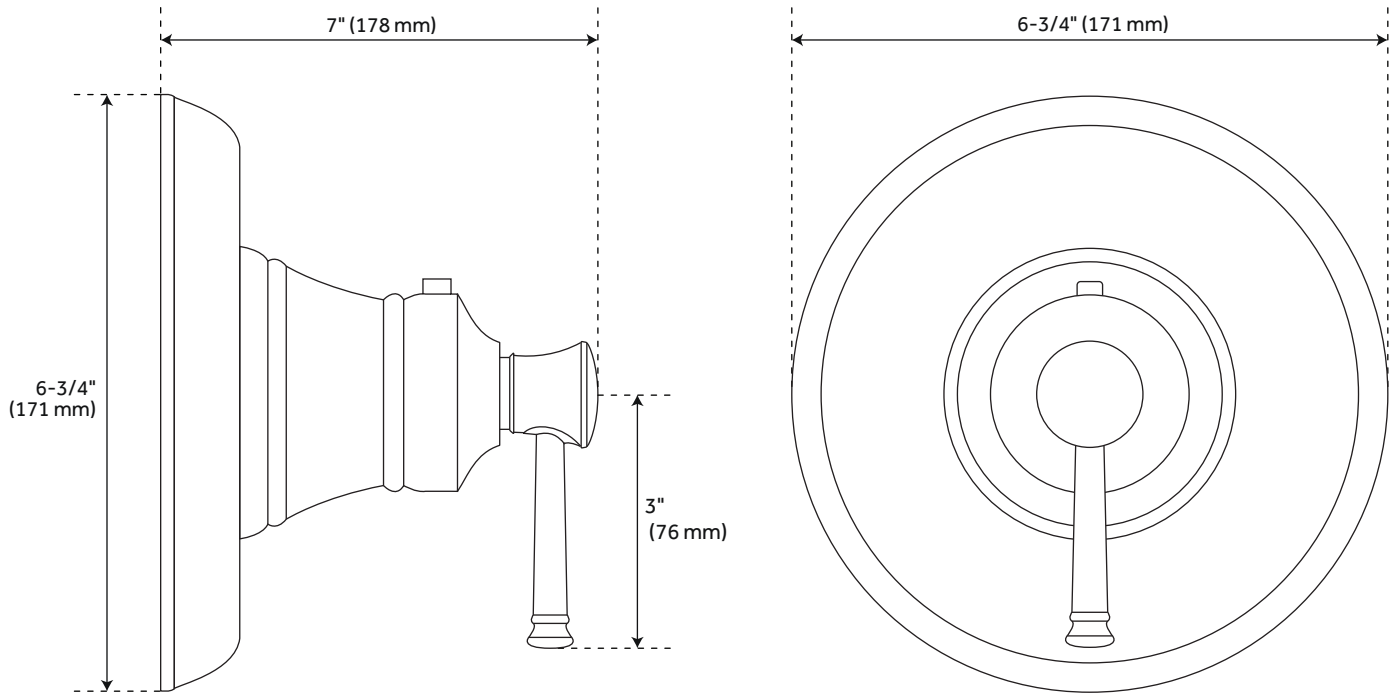
TRIM	PAGE 2
ROUGH-IN VALVE	PAGE 3

REVISED 04/27/2021

BEASLEY

THERMOSTATIC SHOWER VALVE TRIM

SKU: 948778



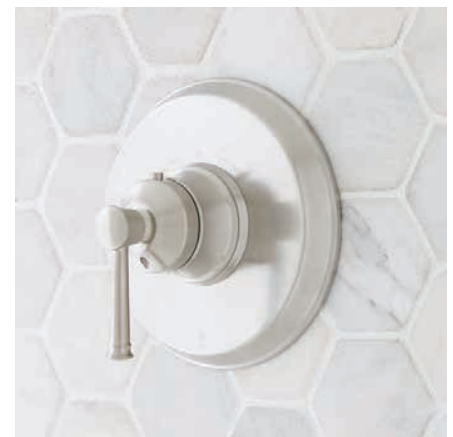
FEATURES

Diameter: 6-3/4"
Depth: 7"
Wall Thickness Range: 1" to 1-3/4"

CODES/STANDARDS

cUPC
ASME A112.18.1/CSA B125.1
Massachusetts Accepted

PRODUCT IMAGE



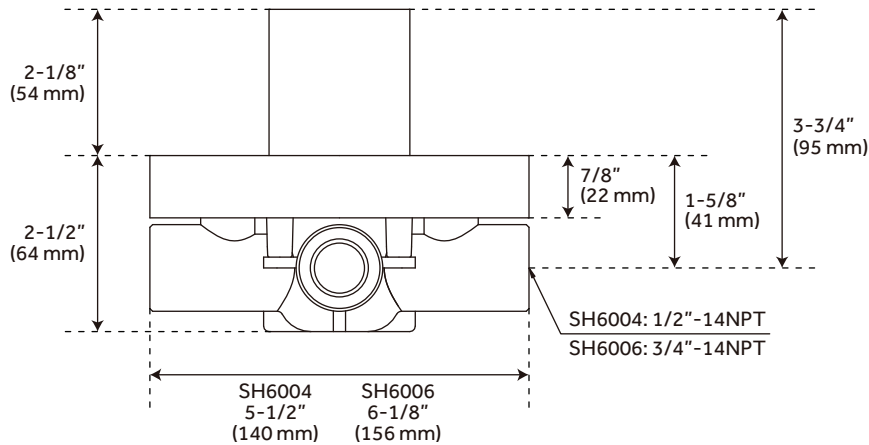
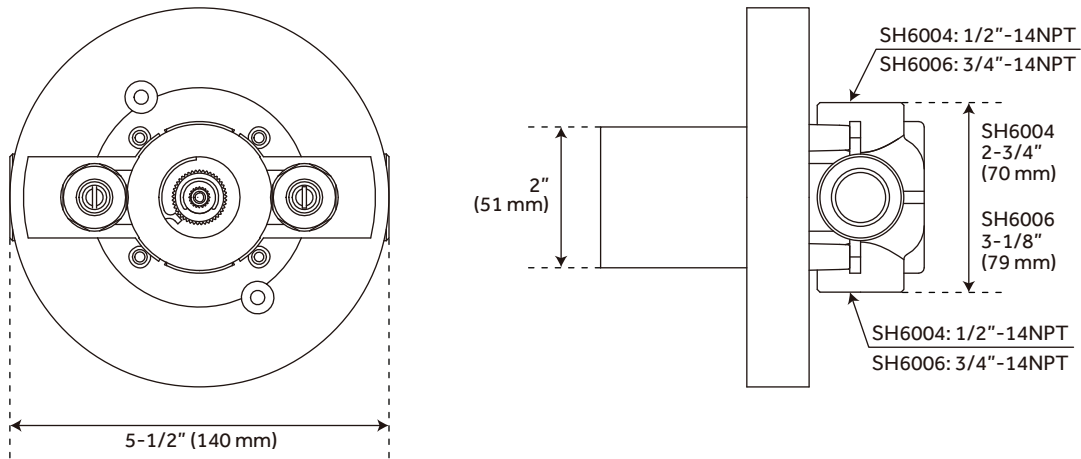
All dimensions and specifications are nominal and may vary. Use actual products for accuracy in critical situations.

PAGE 2
Code: SHBE9009

BEASLEY

OPTIONAL THERMOSTATIC ROUGH-IN VALVE WITH 1/2" -OR- 3/4" CONNECTION

SKU: 948778



FEATURES

- Bronze Valve Body
- Ceramic Cartridge
- Integral Water Stops and Check Valve
- Must be Installed in Accordance With
Provided Installation Instructions
- Recommended Valve Installation
Depth 1-5/8" to 2-3/8"

CODES/STANDARDS

- cUPC
- ASME A112.18.1/CSA B125.1
- ASSE 1016 Type T
- Massachusetts Accepted

PRODUCT IMAGE



All dimensions and specifications are nominal and may vary. Use actual products for accuracy in critical situations.

PAGE 3
Code: SH6004, SH6006