

EDENTON

FREESTANDING TUB FILLER

SKU: 948656



FEATURES

- Spout max. flow rate: 8 gpm (30 L/min) @ 60 psi.
- Hand shower max. flow rate: 1.8 gpm (6.8 L/min) @ 80 psi.
- Single function hand shower (full spray).
- Integral diverter to hand shower.
- Handshower includes factory installed backflow prevention check valve.
- Optional rough-in valve includes stops.
- Underfloor access is required for proper installation.
 - Installation on an existing concrete slab will require cutting and concrete removal.

SIGNATURE HARDWARE Lifetime Warranty

See website for detailed warranty information.

CONTENTS

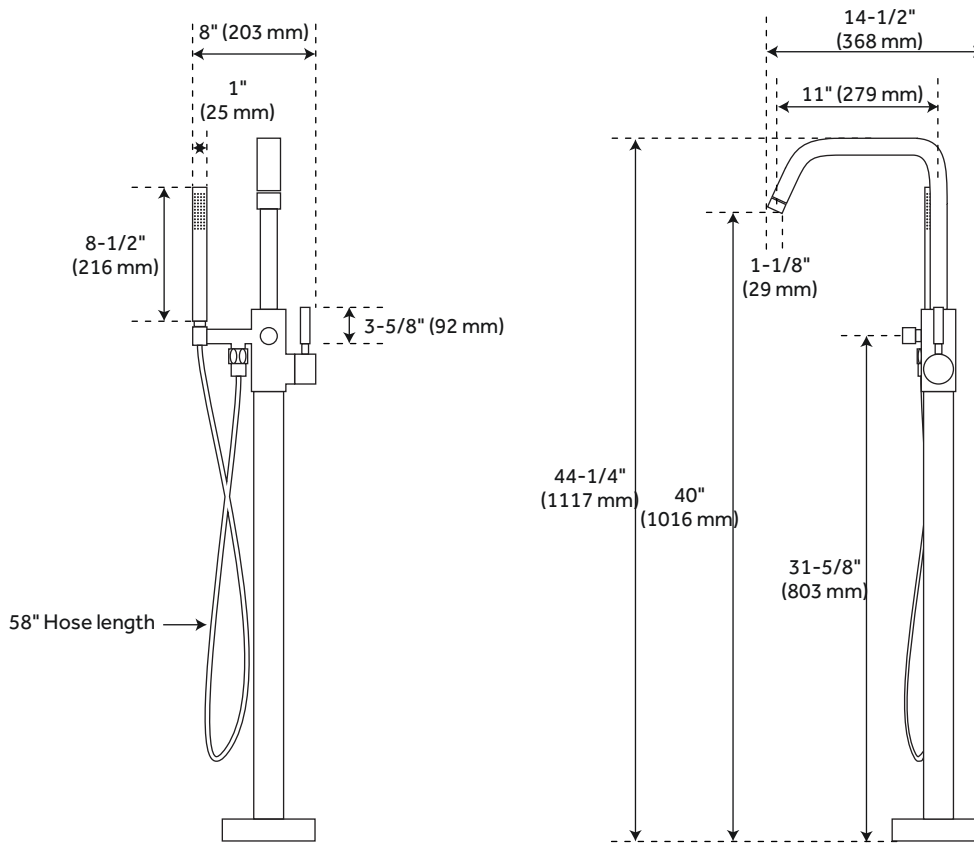
TUB FILLER	PAGE 2
VALVE	PAGE 3

REVISED 02/14/2020

EDENTON

FREESTANDING TUB FILLER

SKU: 948656



FEATURES

Installation Type: Freestanding
Handle Type: Lever
Features: Hand Shower Included
Tub Faucet Material: Brass
Length: 8"
Width: 14-1/2"
Height: 44-1/4"
Height To Spout: 40"
Height to Control Valve: 31-5/8"
Spout Reach: 11"
Spout Width: 1-1/8"
Hot and Cold Indicators: No
Drain Included: No
Base Plate Diameter: 5-7/8"
Ceramic Disc Cartridges: Yes
Hand Shower Hose Length: 58"
Hand Shower Material: Zinc

CODES/STANDARDS

cUPC
ASME A112.18.1/CSA B125.1
ASME A112.18.3
ICC/ANSI A117.1 (when installed according to ADA Standards)
WaterSense
CEC Listed
Massachusetts Accepted



SIGNATURE HARDWARE LIFETIME WARRANTY

See website for warranty information



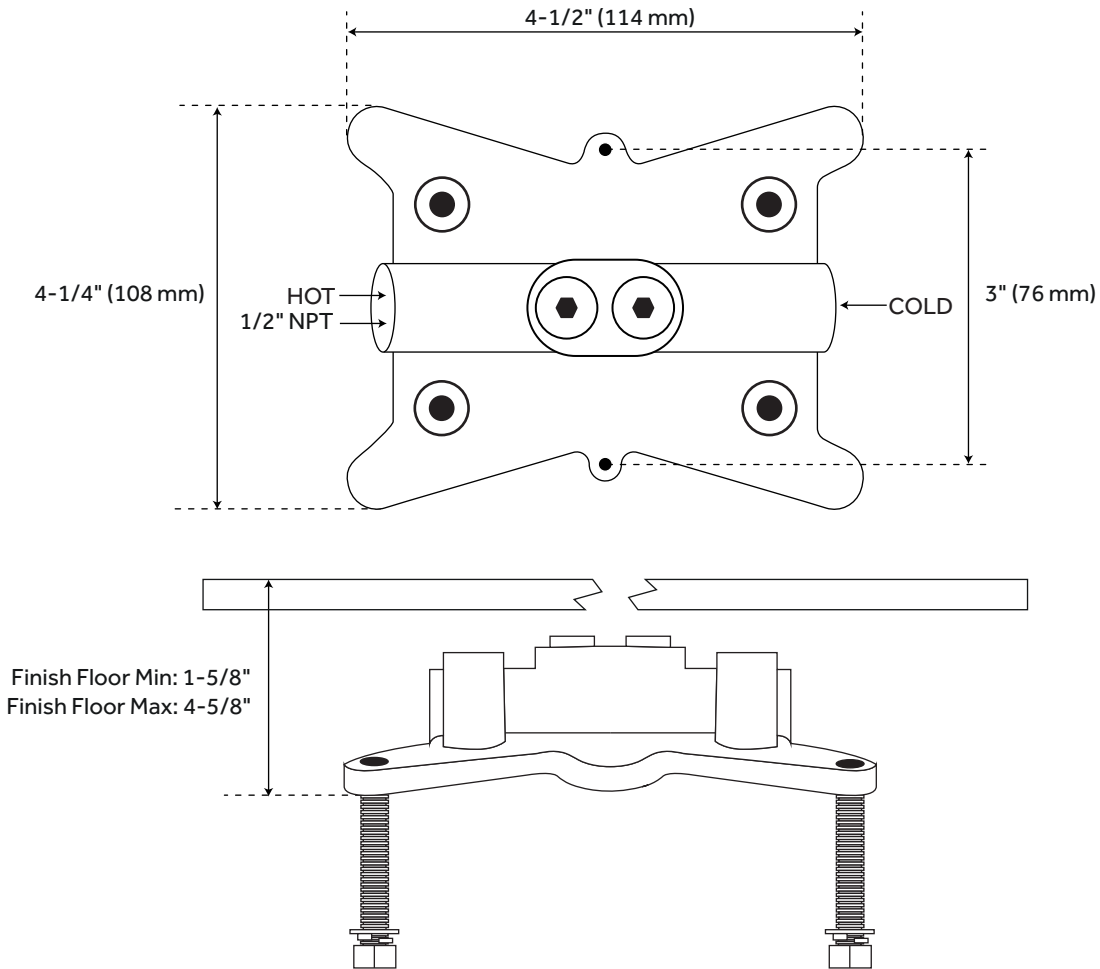
All dimensions and specifications are nominal and may vary. Use actual products for accuracy in critical situations.

PAGE 2
CODE: SHEDFS1000GCP/SHEDFS1000GBN

EDENTON

OPTIONAL TUB FAUCET ROUGH-IN VALVE

SKU: 446521



FEATURES

Material: Brass
Length: 3-1/2"
Width: 3-5/8"
Height: 5-1/8"
Finish Floor Min: 1-5/8"
Finish Floor Max: 4-5/8"
NPT Connection: 1/2"

CODES/STANDARDS

cUPC
ASME A112.18.1/CSA B125.1
Massachusetts Accepted

SIGNATURE HARDWARE LIFETIME WARRANTY

See website for warranty information



All dimensions and specifications are nominal and may vary. Use actual products for accuracy in critical situations.

PAGE 3
CODE: SHFSR2000WS