

# BEASLEY

## FREESTANDING TUB FAUCET WITH HAND SHOWER

SKU: 948654



### CONTENTS

FAUCET AND HAND SHOWER .....	PAGE 2
ROUGH-IN VALVE .....	PAGE 3

### FEATURES

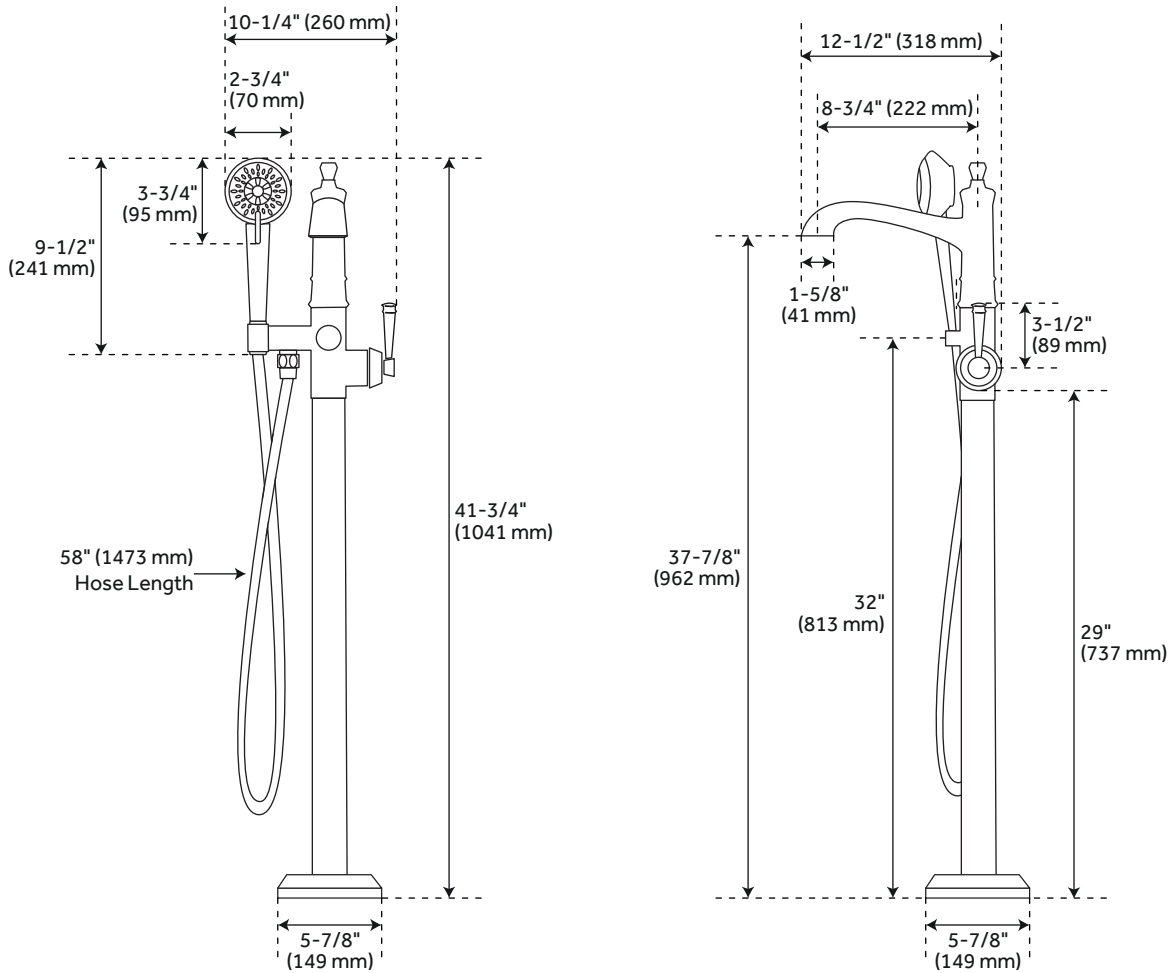
- Installation Type: Freestanding
- Design: Traditional
- Faucet Centers: Single-Hole
- Handle Type: Lever
- Features: Hand Shower Included
- Tub Faucet Material: Brass
- Handle Material: Metal
- Hot and Cold Indicators: No
- Drain Included: No
- Ceramic Disc Cartridges: Yes
- Three Function Hand Shower:
  - Full Spray, Massage, Spray + Massage
- Integral Diverter to Hand Shower
- Handshower Includes Factory Installed
  - Backflow Prevention Check Valve
- Optional Rough-In Valve Includes Stops
- Underfloor Access Is Required for
  - Proper Installation
- Installation on an Existing Concrete Slab Will
  - Require Cutting and Concrete Removal

REVISED 04/23/2021

# BEASLEY

## FREESTANDING TUB FAUCET WITH HAND SHOWER

SKU: 948654



### FEATURES

- Length: 10-1/4"
- Width: 12-1/2"
- Height: 41-3/4"
- Height to Spout: 37-7/8"
- Height to Control Valve: 32"
- Spout Reach: 8-3/4"
- Spout Width: 1-5/8"
- Base Plate Diameter: 5-7/8"
- Hand Shower Hose Length: 58"
- Spout Flow Rate:
  - 8.5 gpm (32.2 L/min) @ 60 psi
- Hand Shower Flow Rate:
  - 1.8 gpm (6.8 L/min) max @ 80 psi

### CODES/STANDARDS

- cUPC
- ASME A112.18.1/CSA B125.1
- ASME A112.18.3
- WaterSense
- CEC Listed
- Massachusetts Accepted

### PRODUCT IMAGE



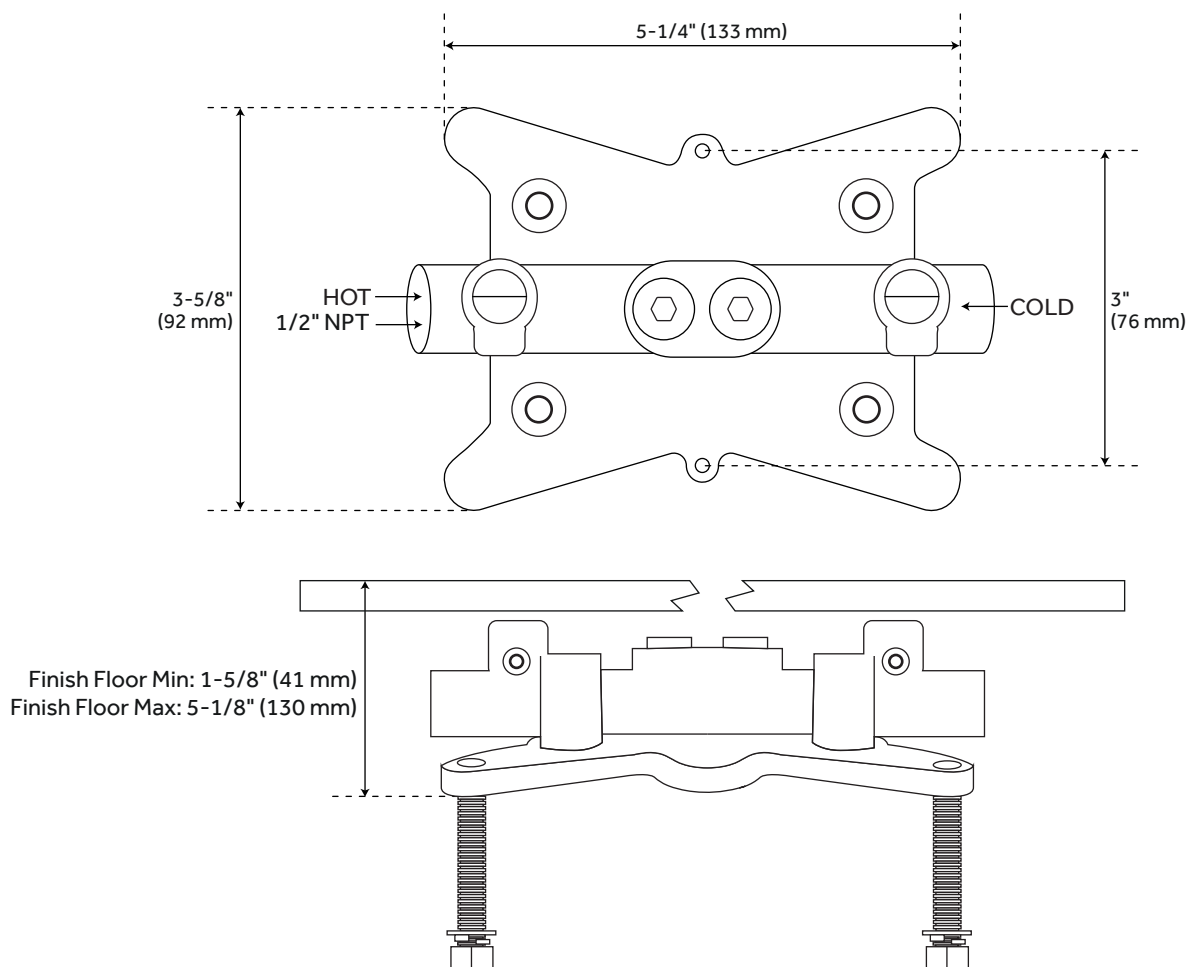
All dimensions and specifications are nominal and may vary. Use actual products for accuracy in critical situations.

PAGE 2  
Code: SHBEFS2000G

# BEASLEY

## OPTIONAL FREESTANDING TUB FAUCET ROUGH-IN VALVE

SKU: 948654



### FEATURES

Material: Brass  
Length: 5-1/4"  
Width: 3-5/8"  
Height: 5-1/8"  
NPT Connection: 1/2"

### CODES/STANDARDS

cUPC  
ASME A112.18.1/CSA B125.1  
Massachusetts Accepted

### PRODUCT IMAGE

