

# AMBERLEY

## SINGLE-HOLE BAR FAUCET

SKU: 948522



### FEATURES

- Material: Brass
- Design: Traditional
- Features: ADA Compliant
- Installation Type: Single-Hole
- Handle Type: Metal Lever
- Swivel Spout: Yes
- Ceramic Disc Cartridges: Yes
- Hot and Cold Indicators: No
- Non-Kink Nylon Hose

### CONTENTS

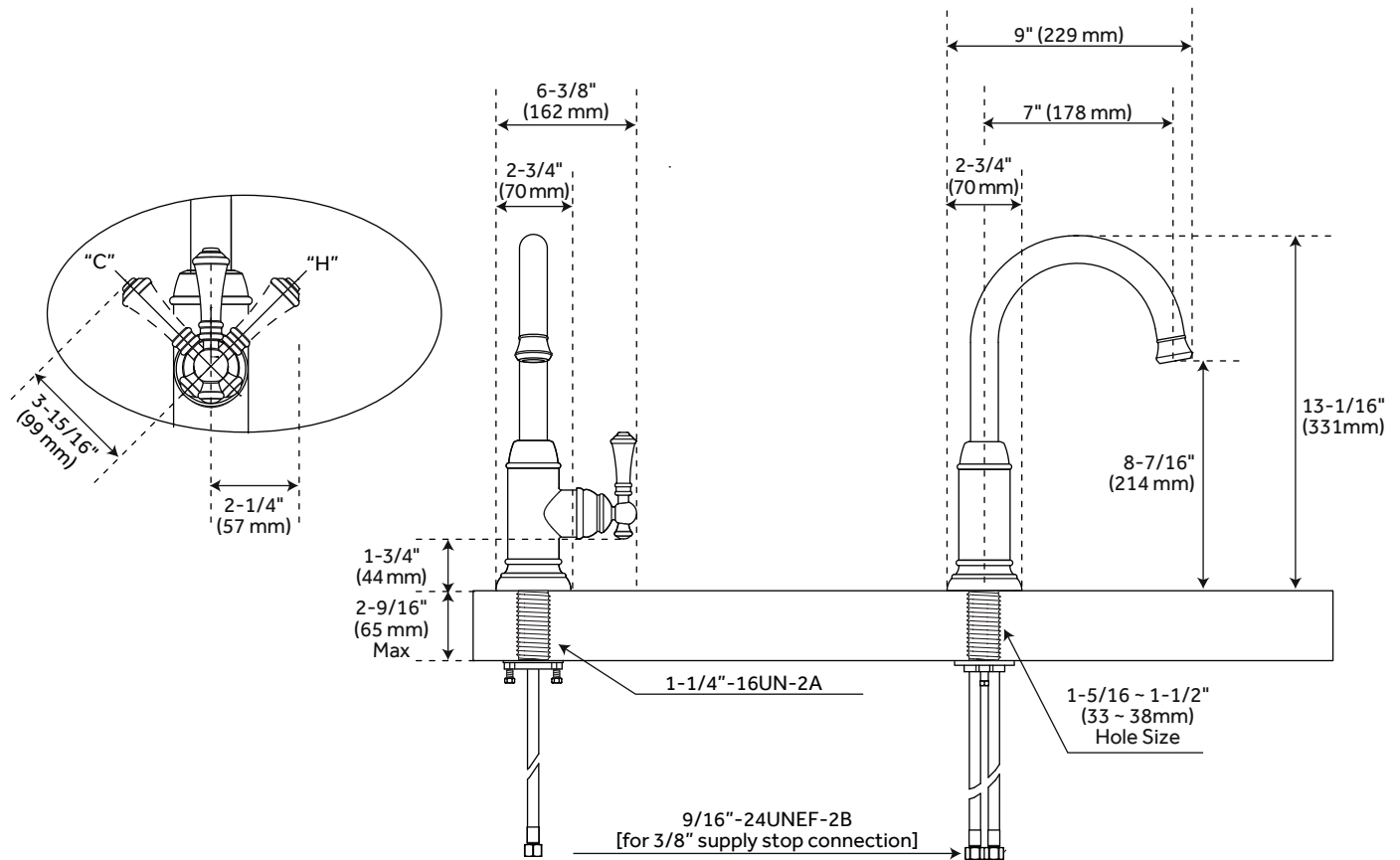
BAR FAUCET ..... PAGE 2

REVISED 04/06/2021

# AMBERLEY

## SINGLE-HOLE BAR FAUCET

SKU: 948522



### FEATURES

- Max. Countertop Thickness: 2-9/16"
- Length: 6-3/8"
- Width: 9"
- Height: 13-1/16"
- Height to Spout: 8-7/16"
- Spout Reach: 7"
- Base Plate Diameter: 2-3/4"
- Handle Length: 3-15/16"
- Height to Bottom of Handle: 1-3/4"
- Maximum Flow Rate:  
1.8 gpm (6.8L/min) max @ 60 psi

### CODES/STANDARDS

- cUPC
- ASME A112.18.1/CSA B125.1
- ICC/ANSI A117.1 (when installed according to ADA standards)
- NSF/ANSI 61
- NSF/ANSI 372
- CEC Listed
- Massachusetts Accepted

### PRODUCT IMAGE



All dimensions and specifications are nominal and may vary. Use actual products for accuracy in critical situations.

PAGE 2  
Code: SHXCAM103