

# 60" X 32" SITKA

ACRYLIC ALCOVE SOAKING TUB

SKU: 948276

## FEATURES

Integral arm rests.  
Textured slip-resistant bottom.  
Pre-leveled base.  
ABS drain version available if needed for your installation.  
Optional Quick Connect Drop-In Drain Kit Includes:  
Floor Plate, 1-1/2" PVC Pipe, 2" x 1-1/2" Trap Adapters, 1  
Brass Threaded, 1 Brass Unthreaded Tailpiece and Plug.  
Installs above your subfloor, but underneath your cement  
floor or tile, so you do not need access below the fixture.

## SIGNATURE HARDWARE Lifetime Warranty

See website for detailed warranty information.

## CONTENTS

AIR & WHIRLPOOL TUB .....	PAGE 2
60" X 32 TUB .....	PAGE 3

REVISED 04/09/2020

CODE: SHSKA6032LWH/SHSKA6032RWH/SHSKS6032LWH/SHSKS6032RWH  
SHSKW6032LWH/SHSKW6032RWH/SHSKS6032LBS/SHSKS6032RBS

# AIR TUB AND WHIRLPOOL TUB

## COMPONENTS LIST

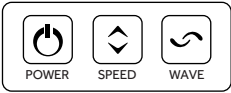
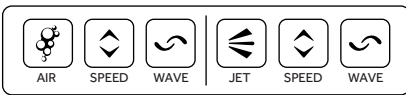
- Powerful whirlpool pump with variable flow device
- Heated blower for air bath system

## INSTALLATION

- Whirlpool and Total Massage units require dedicated 20 Amp, 120V service
- You must provide a receptacle with a 20 Amp configuration
- Electrical outlet must be mounted 4" (101mm) above the floor line and 12" max (305mm) inside from the edge of the bathtub, or in accordance with local building and electrical codes

## INTEGRATED CONTROL PANEL

- Intuitive electronic control buttons

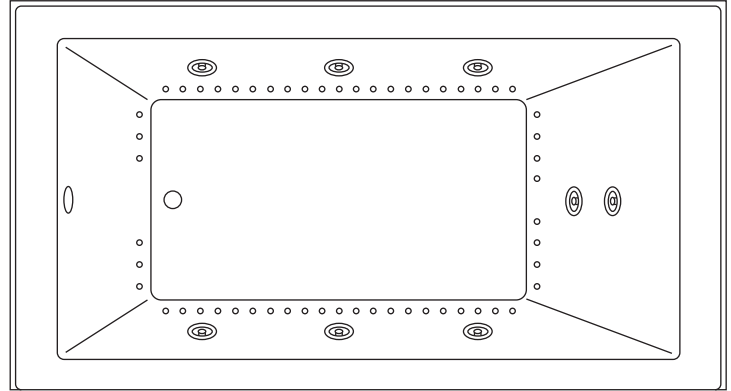


## INSIDE OF BATH

- (8) HIGH-FLOW DIRECTIONAL AND VOLUME-ADJUSTABLE WHIRLPOOL JETS
- (56) CHANNEL-FED AIRJETS (air bath and total massage)

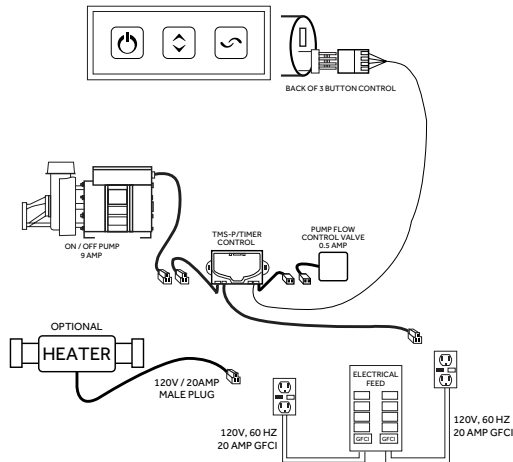


WHIRLPOOL JET

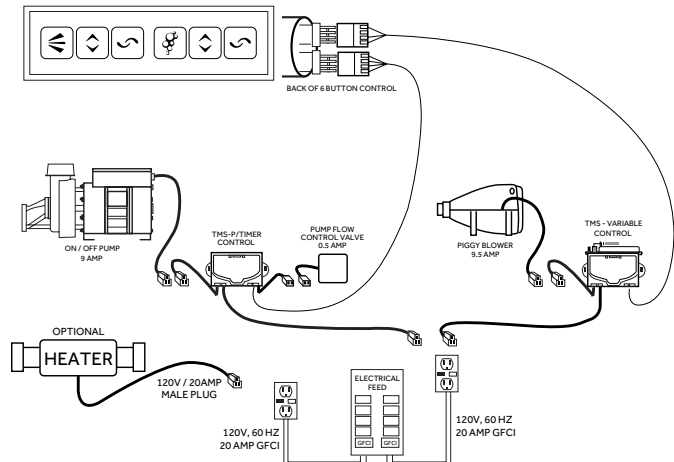


## ELECTRICAL CONFIGURATIONS

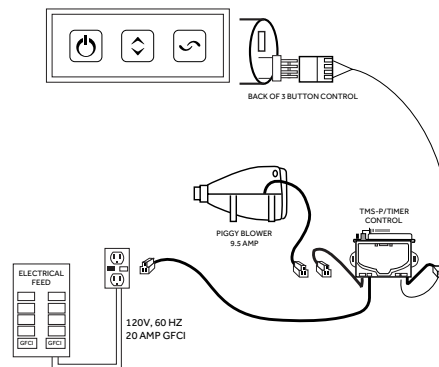
### WHIRLPOOL CIRCUIT WITH OPTIONAL HEATER



### TOTAL MESSAGE CIRCUIT WITH OPTIONAL HEATER



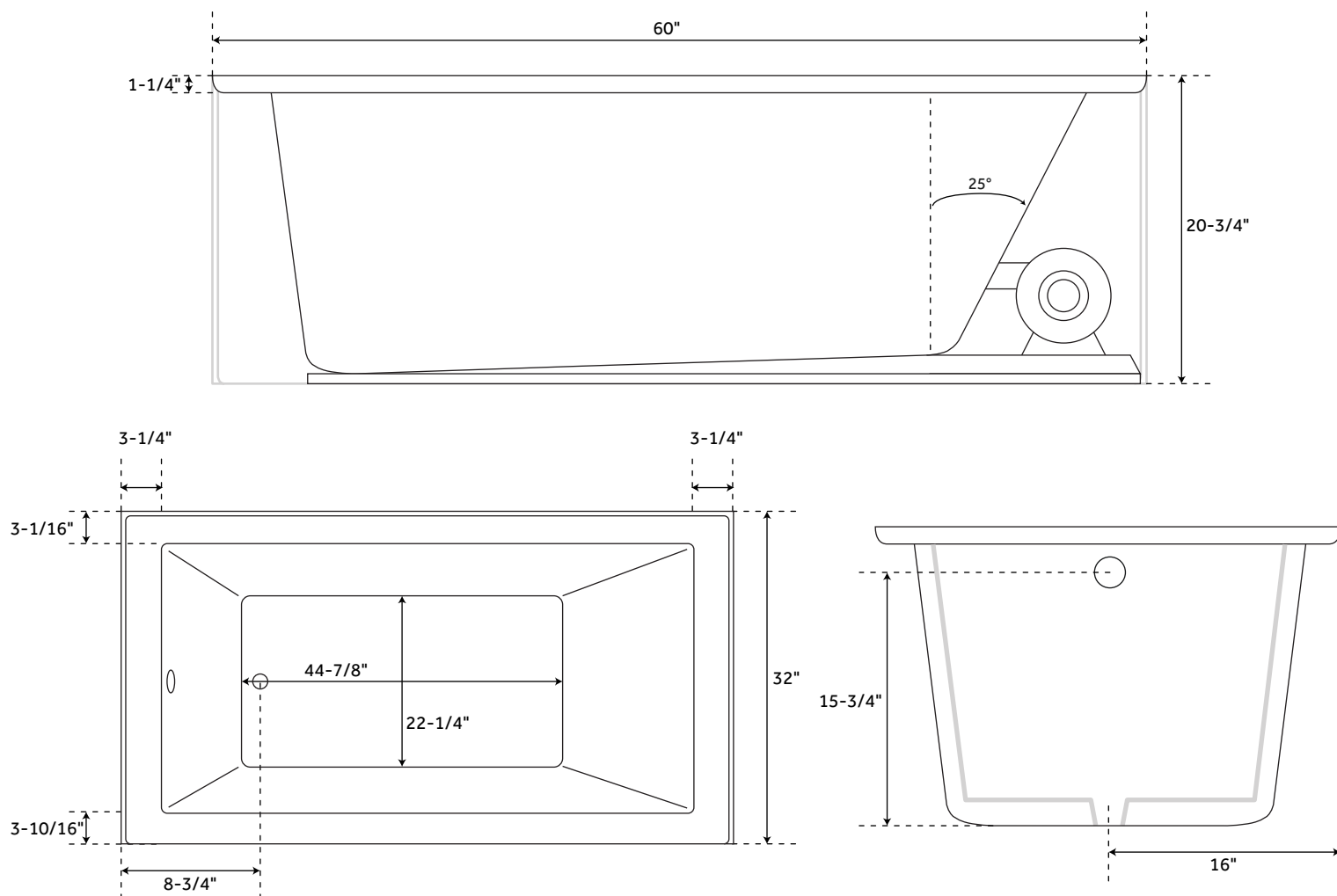
### AIR MESSAGE CIRCUIT



# 60" X 32" SITKA

## ACRYLIC ALCOVE SOAKING TUB

SKU: 948276



### FEATURES

- Product Finish: Biscuit
- Overflow Hole: Yes
- Shape: Rectangle
- Material: Acrylic
- Length: 60"
- Width: 32"
- Height: 20-3/4"
- Tub Interior Length: 44-7/8"
- Tub Interior Width: 22-1/4"
- Water Depth To Overflow: 15-3/4"
- Drain Included: Optional
- Faucet Included: No
- Tub Weight Uncrated (lbs): 84
- Tub Weight Crated (lbs): 194
- All dimensions ( $\pm 1/2"$ ).

### SIGNATURE HARDWARE LIFETIME WARRANTY

See website for warranty information