

60" x 42" GALATIA

ACRYLIC DROP-IN TUB

SKU: 948049



CONTENTS

AIR & WHIRLPOOL TUB	PAGE 2
60" X 42" TUB	PAGE 3

FEATURES

- Integral arm rests.
- Textured slip-resistant bottom.
- Pre-leveled base.
- Cut out template included.
- 40-gallon (151.4-Liters) operating capacity.
- Intuitive electronic control pad.
- Air Tub Options:
 - Soaking - No air feature.
 - Air - 65 Air jets circulate warm air throughout the tub, creating warm bubbles for a massaging, rejuvenating experience.
 - Whirlpool - 8 Strategically placed air jets move water with increased pressure for an invigorating bathing experience.
 - Total Massage: A combination of air and whirlpool systems that creates a spa-like experience of ultimate relaxation and targeted massage.
 - Air Bath system uses a 7.5 amp, 600 watt heated blower for air bath system.
 - Whirlpool system uses a powerful 1.75hp, 10.9 amp whirlpool pump.
- Safety Suction meets all requirements of durability and clog-resistance through standard testing.
- ABS drain version available if needed for your installation.
- Optional Quick Connect Drop-In Drain Kit Includes:
 - Floor Plate, 1-1/2" PVC Pipe, 2" x 1-1/2" Trap Adapters, 1 Brass Threaded, 1 Brass Unthreaded Tailpiece and Plug.
- Installs above your subfloor, but underneath your cement floor or tile, so you do not need access below the fixture.

SIGNATURE HARDWARE Lifetime Warranty

See website for detailed warranty information.

REVISED 10/27/2020

CODE: SHGAS6042VWH/SHGAA6042VWH/SHGAW6042VWH/SHGAT6042VWH/SHPRESSHTR/ PFTLK

AIR TUB AND WHIRLPOOL TUB

COMPONENTS LIST

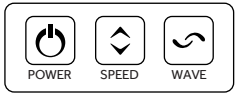
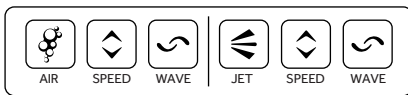
- Powerful whirlpool pump with variable flow device
- Heated blower for air bath system

INSTALLATION

- Whirlpool and Total Massage units require dedicated 20 Amp, 120V service
- You must provide a receptacle with a 20 Amp configuration
- Electrical outlet must be mounted 4" (101mm) above the floor line and 12" max (305mm) inside from the edge of the bathtub, or in accordance with local building and electrical codes

INTEGRATED CONTROL PANEL

- Intuitive electronic control buttons

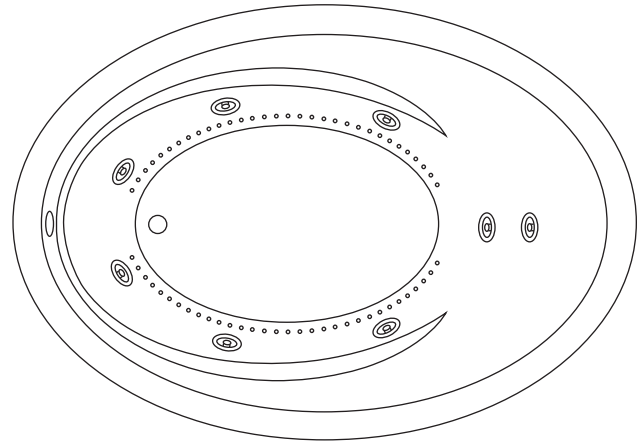


INSIDE OF BATH

- (8) HIGH-FLOW DIRECTIONAL AND VOLUME-ADJUSTABLE WHIRLPOOL JETS
- (65) CHANNEL-FED AIRJETS (air bath and total massage)

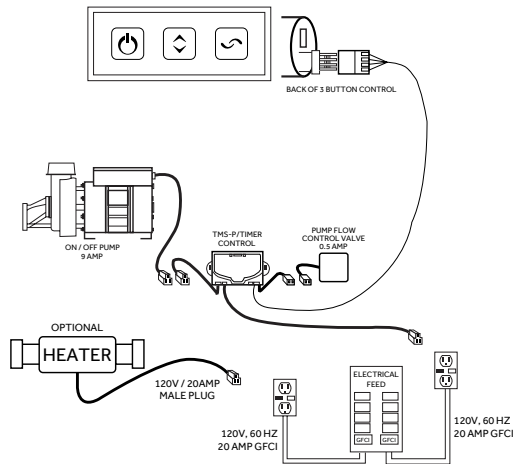


WHIRLPOOL JET

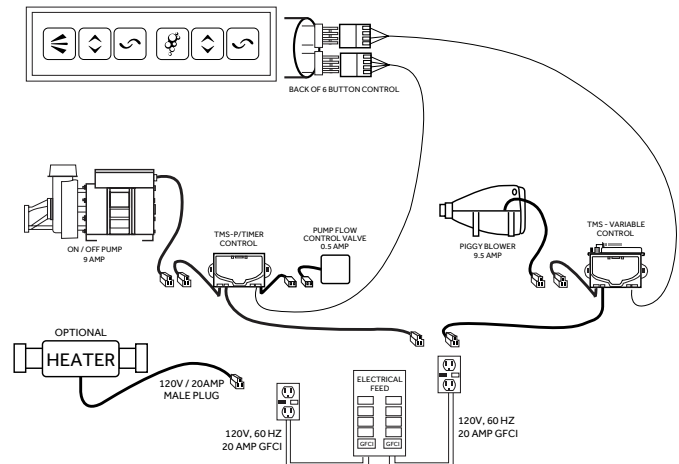


ELECTRICAL CONFIGURATIONS

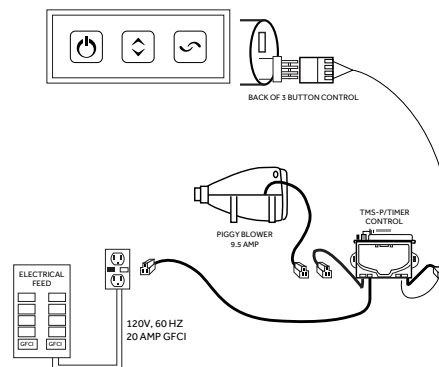
WHIRLPOOL CIRCUIT WITH OPTIONAL HEATER



TOTAL MESSAGE CIRCUIT WITH OPTIONAL HEATER



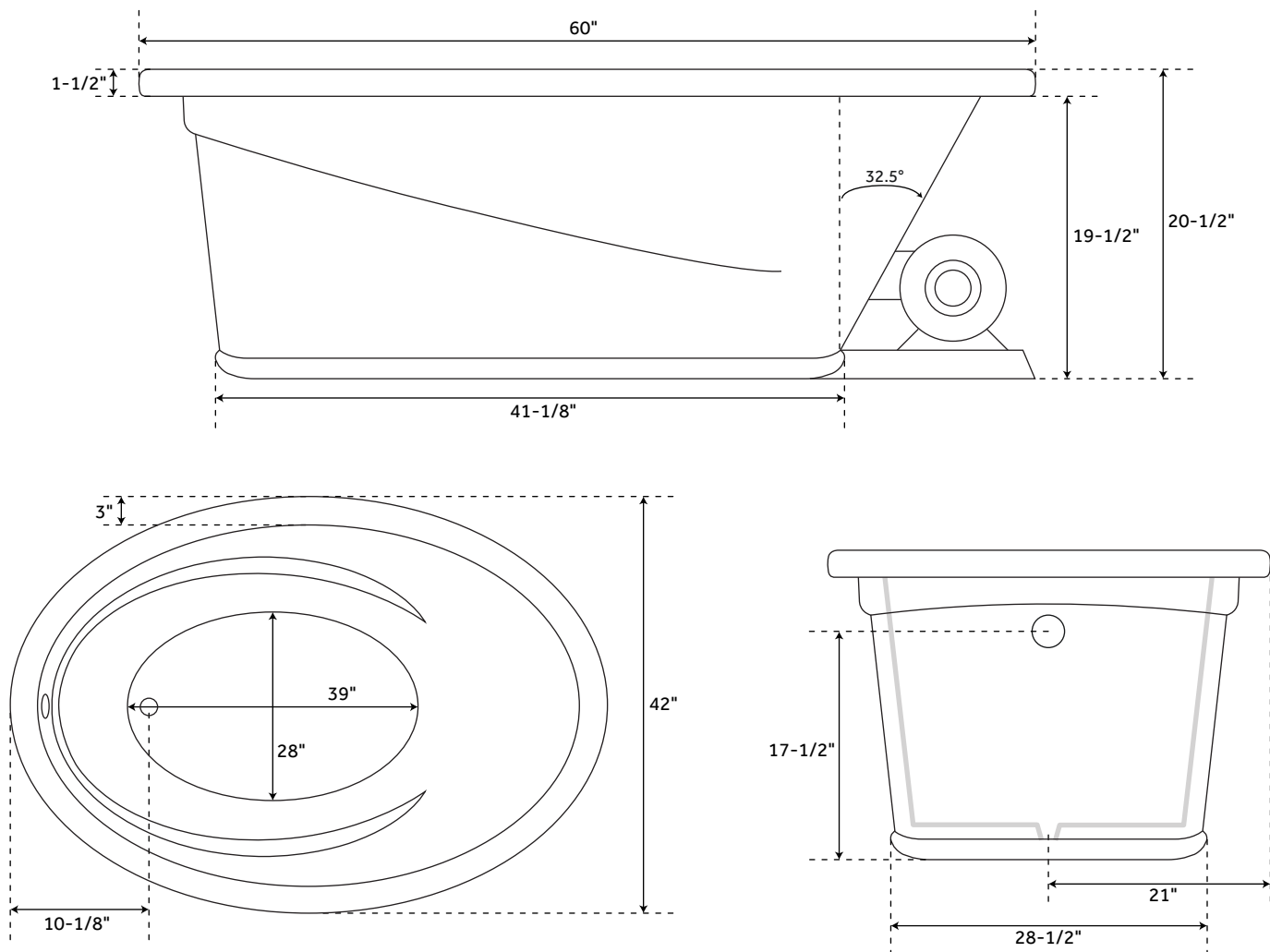
AIR MESSAGE CIRCUIT



60" x 42" GALATIA

ACRYLIC DROP-IN TUB

SKU: 948049



FEATURES

Product Finish: White
Overflow Hole: Yes
Shape: Oval
Material: Acrylic
Length: 60"
Width: 42"
Height: 20-1/2"
Tub Interior Length: 39"
Tub Interior Width: 28"
Water Depth To Overflow: 17-1/2"
Drain Included: Optional
Drain Placement: End
Faucet Included: No
Water Capacity (Gallons): 58
Tub Weight Uncrated (lbs): 95
All dimensions ($\pm 1/2"$).

SIGNATURE HARDWARE LIFETIME WARRANTY

See website for warranty information



All dimensions and specifications are nominal and may vary. Use actual products for accuracy in critical situations.

PAGE 3