

PINECREST

PRESSURE BALANCE SHOWER SET - LEVER HANDLE

SKU: 948012



CONTENTS

PRESSURE BALANCE VALVE	PAGE 2
ROUGH-IN VALVE	PAGE 3
WALL SHOWER HEAD	PAGE 4

FEATURES

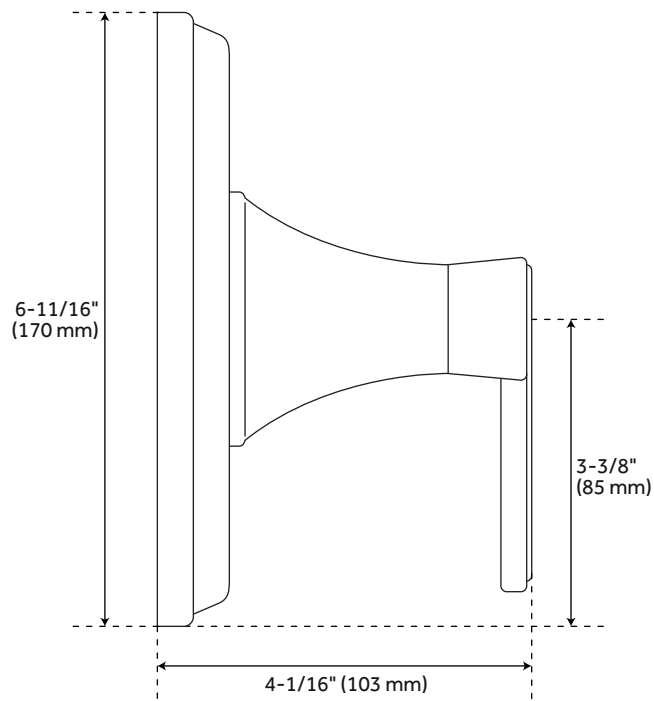
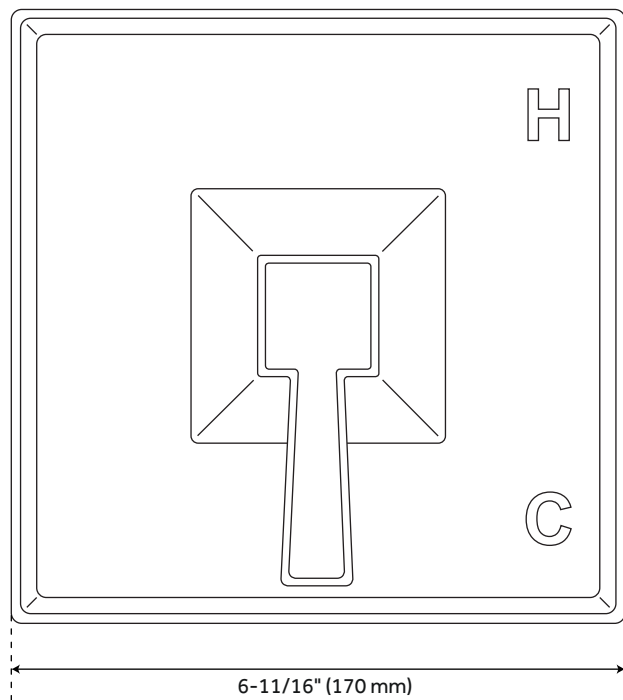
- Material: Brass
- Shape: Round
- Handle Type: Lever
- Installation Type: Wall Mount
- Assembly Required: No
- Design Modern
- Body Sprays: No
- Shower Head Installation Type: Wall
- Number of Shower Heads: 1
- Shower Head Material: Brass
- Shower Head Spray: Rainfall
- Shower Arm Included: Yes
- Shower Head Swivel: Yes
- Shower Head Flow Rate: 1.8 gpm (6.8 l/min) @ 80 psi
- Metal Handle
- Optional Rough-In Valve:
 - Pressure Balance Valve with Integral Stops
 - One-Piece Cartridge Design for Ease of Maintenance
 - Back-to-Back Capability
 - Ceramic Disc Valve Cartridge
 - Cast Bronze Valve Body
 - Adjustable Temperature Limit Stop
 - Quick Remove Plaster Guard
 - Easy Mounting Brackets

REVISED 10/27/2020

PINECREST

PRESSURE BALANCE VALVE

SKU: 948012



FEATURES

Length: 6-11/16"
Height: 6-11/16"
Depth: 4-1/16"
Base Plate Height: 6-11/16"
Base Plate Width: 6-11/16"

CODES/STANDARDS

cUPC
ASME A112.18.1/CSA B125.1
Massachusetts Accepted

PRODUCT IMAGE



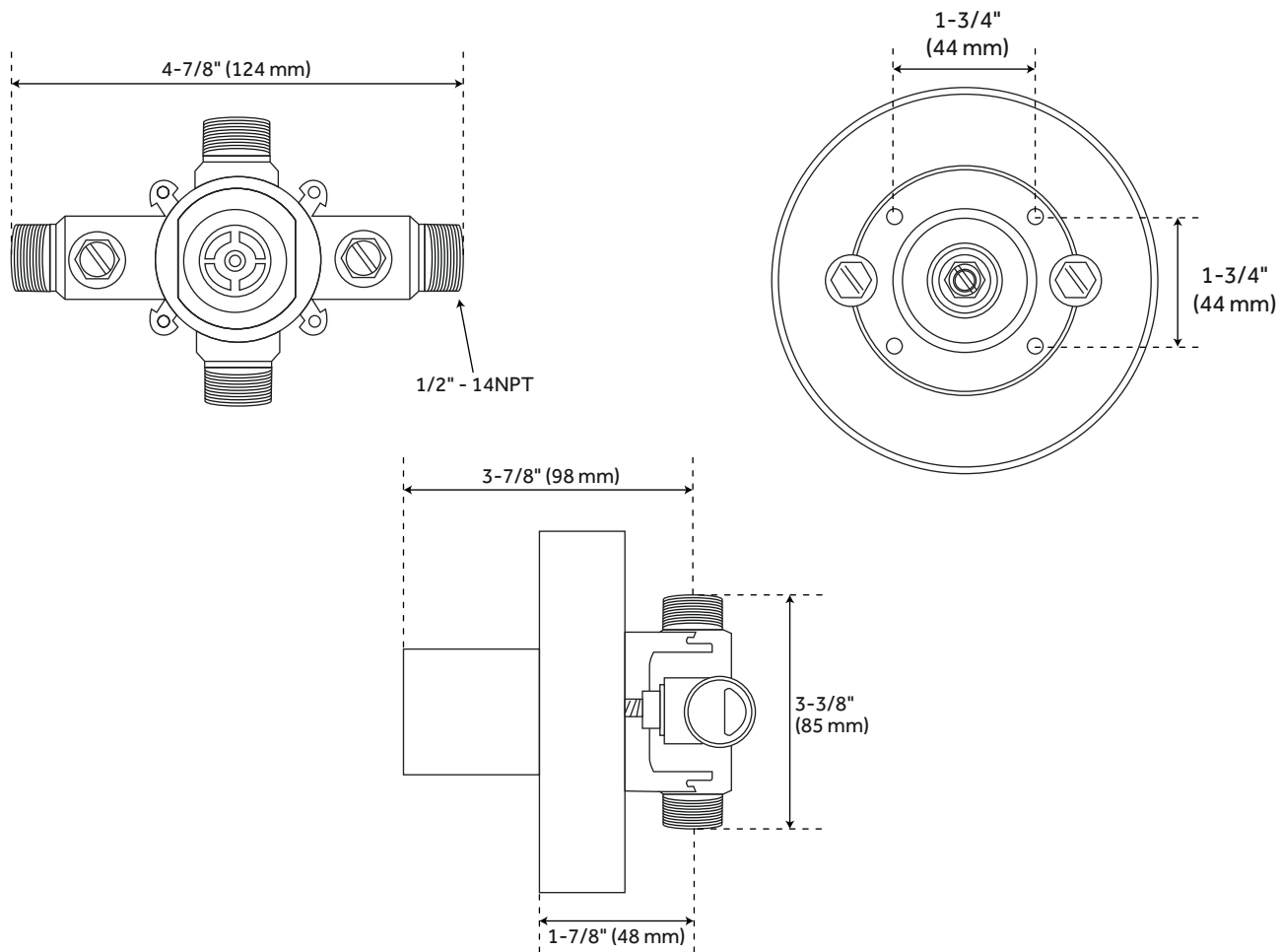
All dimensions and specifications are nominal and may vary. Use actual products for accuracy in critical situations.

PAGE 2
Code: SHPC8010LH, SHPCPBLEV

PINECREST

OPTIONAL ROUGH-IN VALVE

SKU: 948012



FEATURES

Material: Bronze
NPT Connection: 1/2"

CODES/STANDARDS

cUPC
ASME A112.18.1/CSA B125.1
ASSE 1016 Type P
Massachusetts Accepted

PRODUCT IMAGE



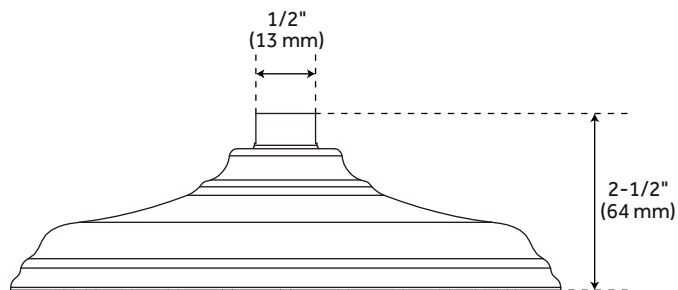
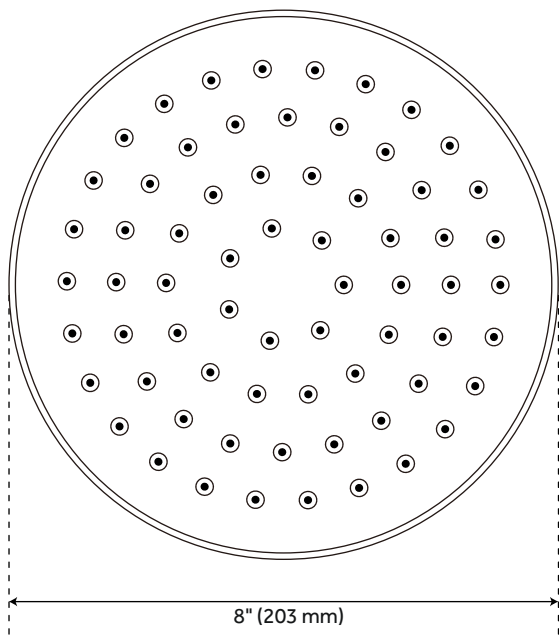
All dimensions and specifications are nominal and may vary. Use actual products for accuracy in critical situations.

PAGE 3
Code: SH4001

PINECREST

WALL-MOUNT SHOWER HEAD

SKU: 948012



FEATURES

Diameter: 8"
Height: 2-1/2"
NPT connection: 1/2"

CODES/STANDARDS

cUPC
ASME A112.18.1/CSA B125.1
CEC Listed
Massachusetts Accepted

PRODUCT IMAGE



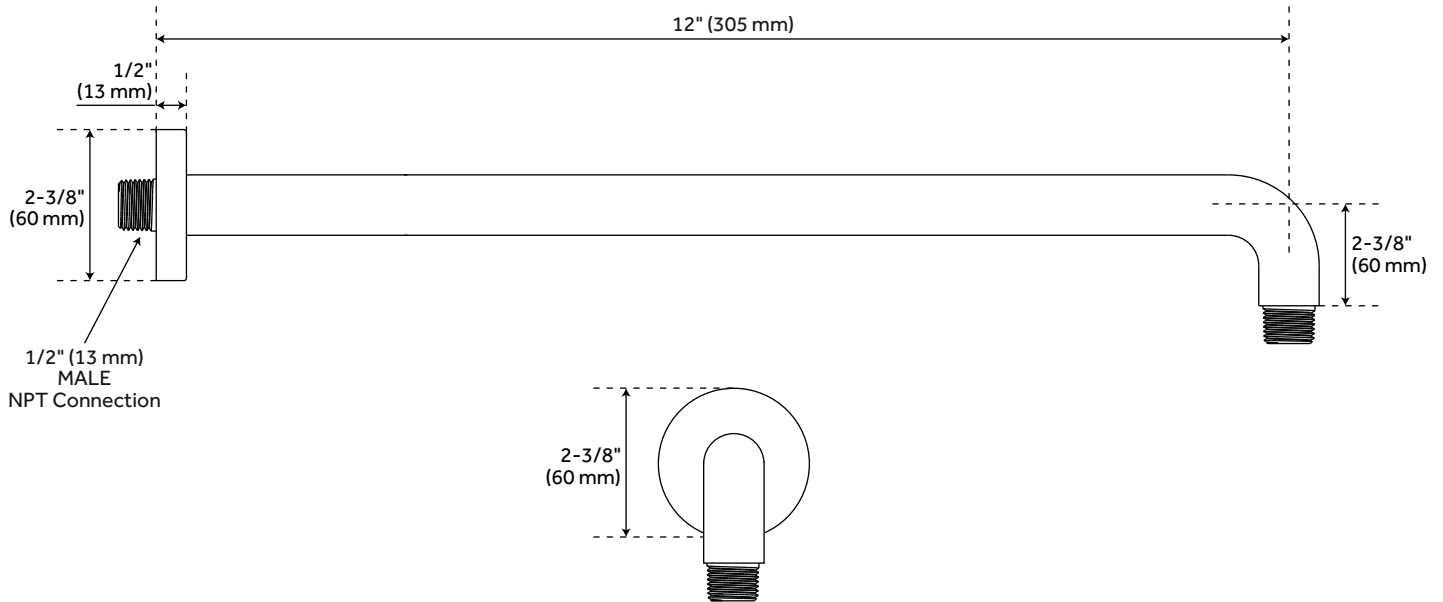
All dimensions and specifications are nominal and may vary. Use actual products for accuracy in critical situations.

PAGE 4
Code: SHRSA120, SHRS820T

PINECREST

WALL-MOUNT SHOWER ARM

SKU: 948012



FEATURES

Base Plate Diameter: 2-3/8"
Shower Arm Extension: 12"
Shower Arm Height: 2-3/8"

CODES/STANDARDS

cCSAus
ASME A112.18.1/CSA B125.1
Massachusetts Accepted

PRODUCT IMAGE



All dimensions and specifications are nominal and may vary. Use actual products for accuracy in critical situations.

PAGE 5
Code: SHRSA120, SHRS820T