

# 63" SOUZA

## ACRYLIC FREESTANDING TUB

SKU: 946784



### FEATURES

Product Finish: White  
Features: Integral Drain & Overflow  
Overflow Hole: Yes  
Integral Drain & Overflow : Yes  
Shape: Rectangle  
Material: Acrylic  
Length: 63-1/2"  
Width: 31-5/8"  
Height: 28"  
Tub Interior Length: 41"  
Tub Interior Width: 20"  
Tub Slope: 20°  
Water Depth To Overflow: 14-1/2"  
Drain Included: Yes  
Faucet Included: No  
Built-In Adjusters: Yes  
Tub Weight Uncrated (lbs): 107  
Tub Weight Crated (lbs): 217

### SIGNATURE HARDWARE Lifetime Warranty

See website for detailed warranty information.

### CONTENTS

AIR TUB .....	PAGE 2
63" TUB .....	PAGE 3

REVISED 10/14/2019

# 63" SOUZA AIR TUB

## COMPONENTS LIST

- BM-TWP BALL CHECK VALVE JETS
- MANI-SD-A SECURITY DEVICE
- MAN-A-4-AC MANIFOLD
- SILVER SLS+ VARIABLE SPEED BLOWER

## INSTALLATION

Install blower behind a wall (with an access panel) or in a closet. Blower can also be installed under floor. Ensure the security device, MANI-DS-A, is at least:

- 2" Above the tub rim

Security device and hose can be mounted in wall

## REMOTE CONTROL

- CG+/RTC-SENSOR-WP
- 12 – 15 YEAR BATTERY LIFE

## INSIDE OF BATH

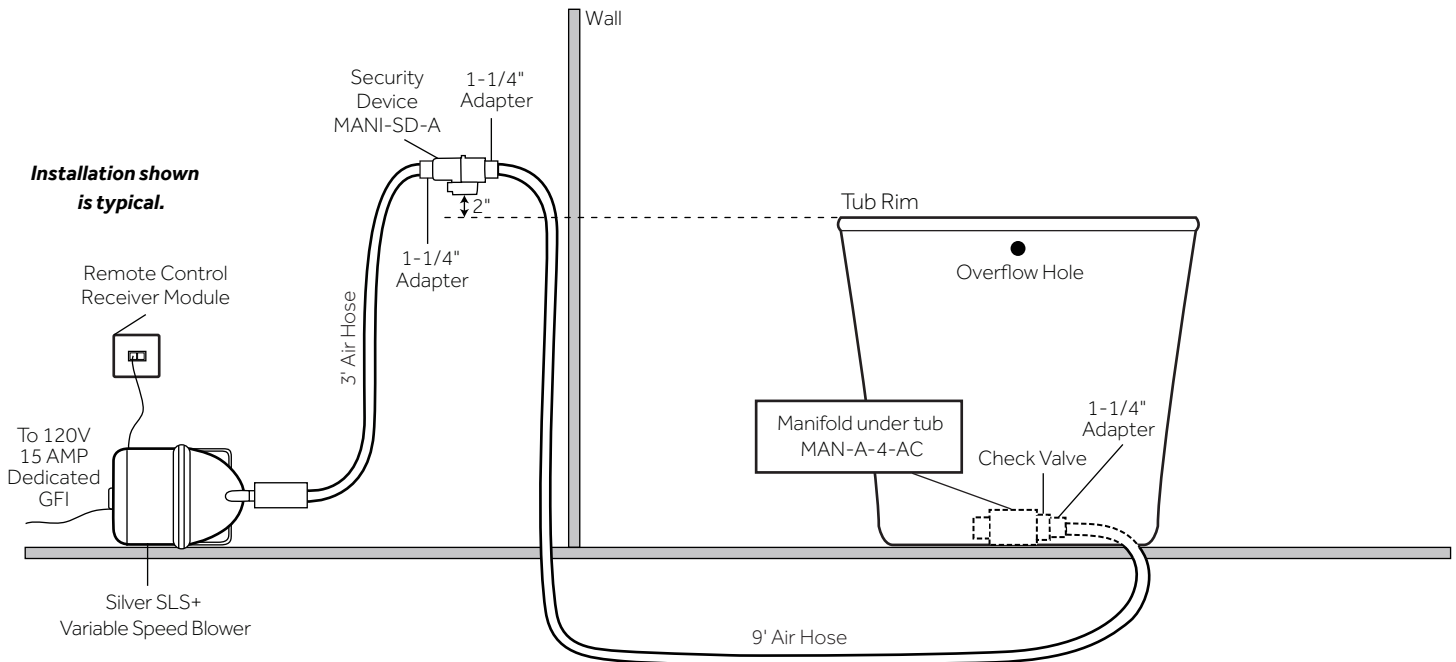
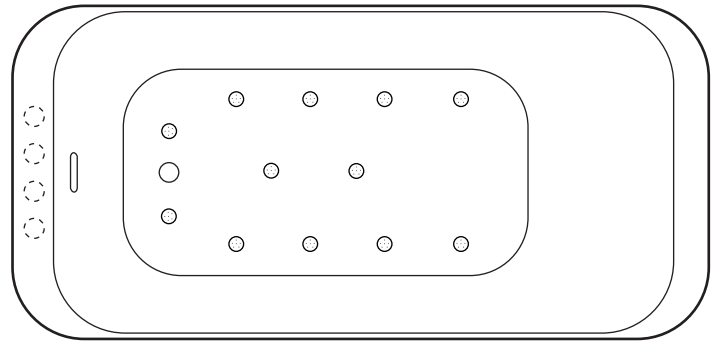
- (12) MAXI AIR JETS WITH 24 OPENINGS



ELBOWS FOR AIR JETS



TEES FOR AIR JETS

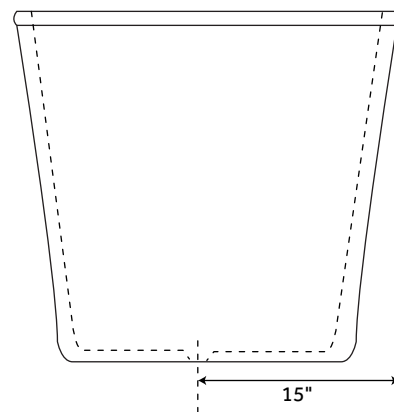
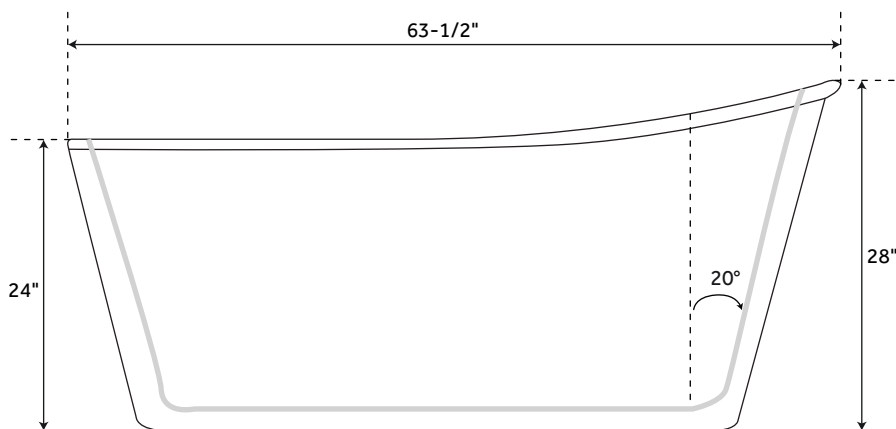
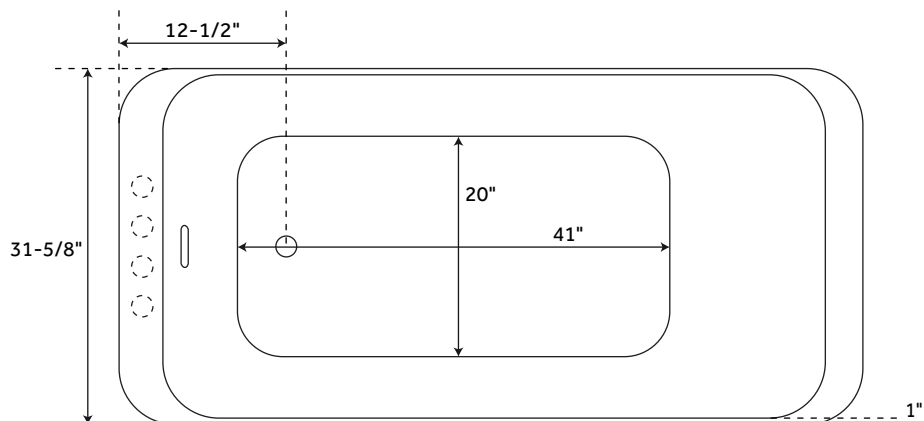


**Installation shown is typical.**

# 63" SOUZA

## ACRYLIC FREESTANDING TUB

SKU: 946784



### FEATURES

Product Finish: White  
Features: Integral Drain & Overflow  
Overflow Hole: Yes  
Integral Drain & Overflow : Yes  
Shape: Rectangle  
Material: Acrylic  
Length: 63-1/2"  
Width: 31-5/8"  
Height: 28"  
Tub Interior Length: 41"  
Tub Interior Width: 20"  
Tub Slope: 20°  
Water Depth To Overflow: 14-1/2"  
Drain Included: Yes  
Faucet Included: No  
Built-In Adjusters: Yes  
Tub Weight Uncrated (lbs): 107  
Tub Weight Crated (lbs): 217

### SIGNATURE HARDWARE LIFETIME WARRANTY

See website for warranty information



All dimensions and specifications are nominal and may vary. Use actual products for accuracy in critical situations.

PAGE 3