

# PINECREST

## PRESSURE BALANCE SHOWER VALVE - LEVER HANDLE

SKU: 946625



### FEATURES

- Design Modern
- Installation Type: Wall Mount
- Handle Type: Lever
- Features: Pressure Balanced
- Assembly Required: No
- Body Sprays: No
- Metal Handle
- Optional Rough-In Valve:
  - Pressure Balance Valve with Integral Stops
  - One-Piece Cartridge Design for Ease of Maintenance
  - Back-to-Back Capability
  - Ceramic Disc Valve Cartridge
  - Cast Bronze Valve Body
  - Adjustable Temperature Limit Stop
  - Quick Remove Plaster Guard
  - Easy Mounting Brackets

### CONTENTS

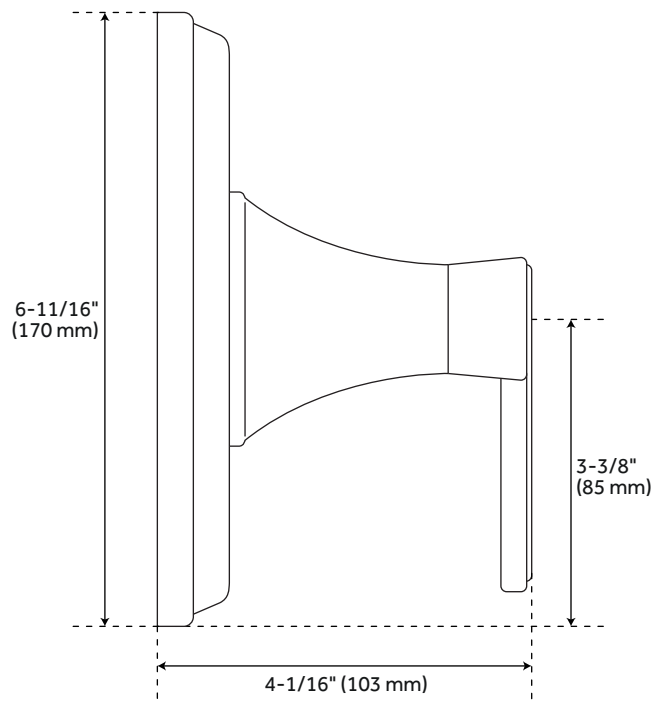
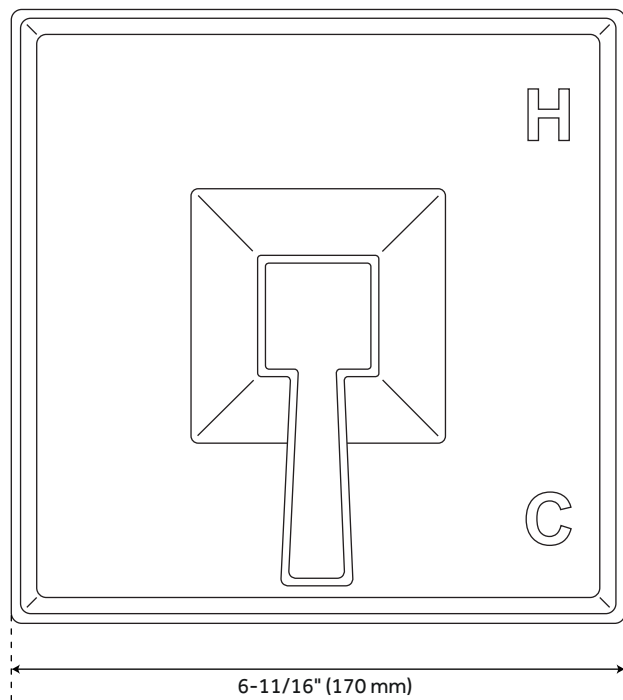
PRESSURE BALANCE VALVE .....	PAGE 2
ROUGH-IN VALVE .....	PAGE 3

REVISED 08/24/2020

# PINECREST

## PRESSURE BALANCE SHOWER VALVE - LEVER HANDLE

SKU: 946625



### FEATURES

Length: 6-11/16"  
Height: 6-11/16"  
Depth: 4-1/16"  
Base Plate Height: 6-11/16"  
Base Plate Width: 6-11/16"

### CODES/STANDARDS

cUPC  
ASME A112.18.1/CSA B125.1  
Massachusetts Accepted

### PRODUCT IMAGE



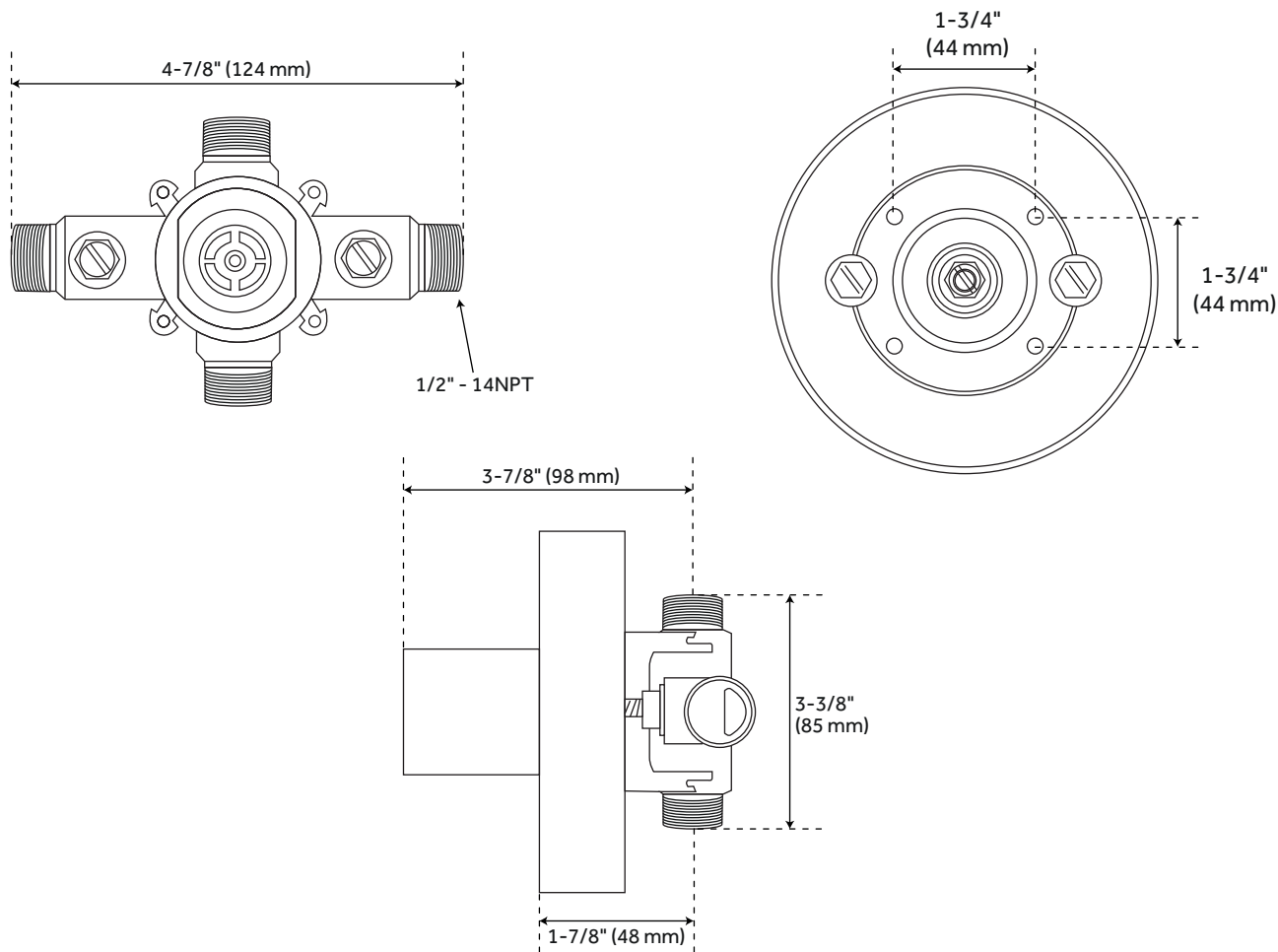
All dimensions and specifications are nominal and may vary. Use actual products for accuracy in critical situations.

PAGE 2  
Code: SHPC8010LH, SHPCPBLEV

# PINECREST

## OPTIONAL ROUGH-IN VALVE

SKU: 946625



### FEATURES

Material: Bronze  
NPT Connection: 1/2"

### CODES/STANDARDS

cUPC  
ASME A112.18.1/CSA B125.1  
ASSE 1016 Type P  
Massachusetts Accepted

### PRODUCT IMAGE



All dimensions and specifications are nominal and may vary. Use actual products for accuracy in critical situations.

PAGE 3  
Code: SH4001