

# 67" NORTHWICH

ACRYLIC FREESTANDING SLIPPER TUB

SKU: 944540



## FEATURES

Product Finish: White  
Overflow Hole: Yes  
Integral Drain & Overflow : Yes  
Material: Acrylic  
Length: 67"  
Width: 31-1/2"  
Height: 35-1/4"  
Tub Interior Length: 43"  
Tub Interior Width: 18"  
Tub Slope: 36°  
Water Depth To Rim: 18"  
Water Depth To Overflow: 16"  
Drain Included: Yes  
Drain Placement: End  
Faucet Included: No  
Faucet Drillings: No Drillings  
Water Capacity (Gallons): 54  
Built-In Adjusters: Yes  
Tub Weight Uncrated (lbs): 128  
Tub Weight Crated (lbs): 240  
Number Of Jets: 12

## SIGNATURE HARDWARE Lifetime Warranty

See website for detailed warranty information.

## CONTENTS

AIR TUB .....	PAGE 2
67" TUB .....	PAGE 3

REVISED 12/02/2019

# 67" NORTHWICH AIR TUB

## COMPONENTS LIST

- BM-TWP BALL CHECK VALVE JETS
- MANI-SD-A SECURITY DEVICE
- MAN-A-4-AC MANIFOLD
- SILVER SLS+ VARIABLE SPEED BLOWER

## INSTALLATION

Install blower behind a wall (with an access panel) or in a closet. Blower can also be installed under floor. Ensure the security device, MANI-DS-A, is at least:

- 2" Above the tub rim

Security device and hose can be mounted in wall

## REMOTE CONTROL

- CG+/RTC-SENSOR-WP
- 12 – 15 YEAR BATTERY LIFE

## INSIDE OF BATH

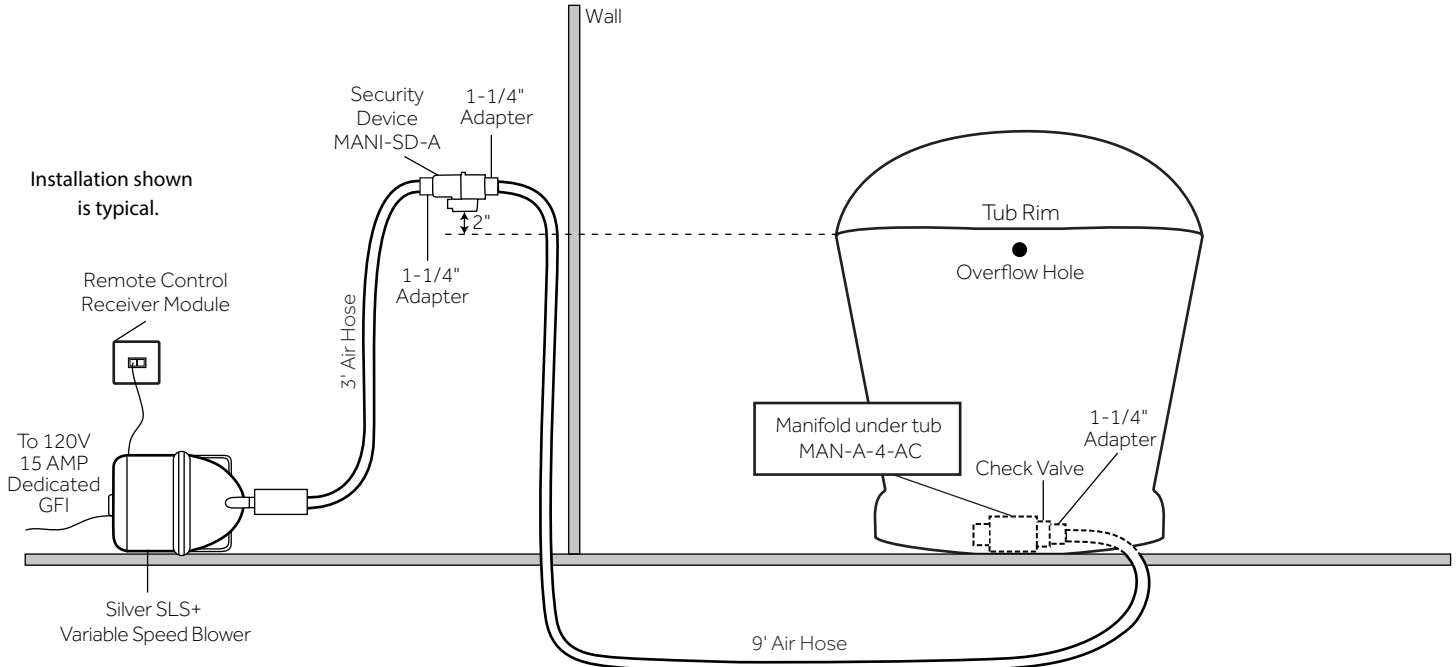
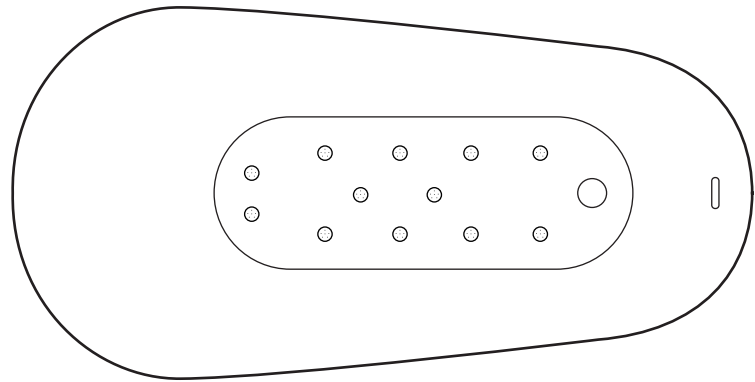
- (12) MAXI AIR JETS WITH 24 OPENINGS



ELBOWS FOR AIR JETS



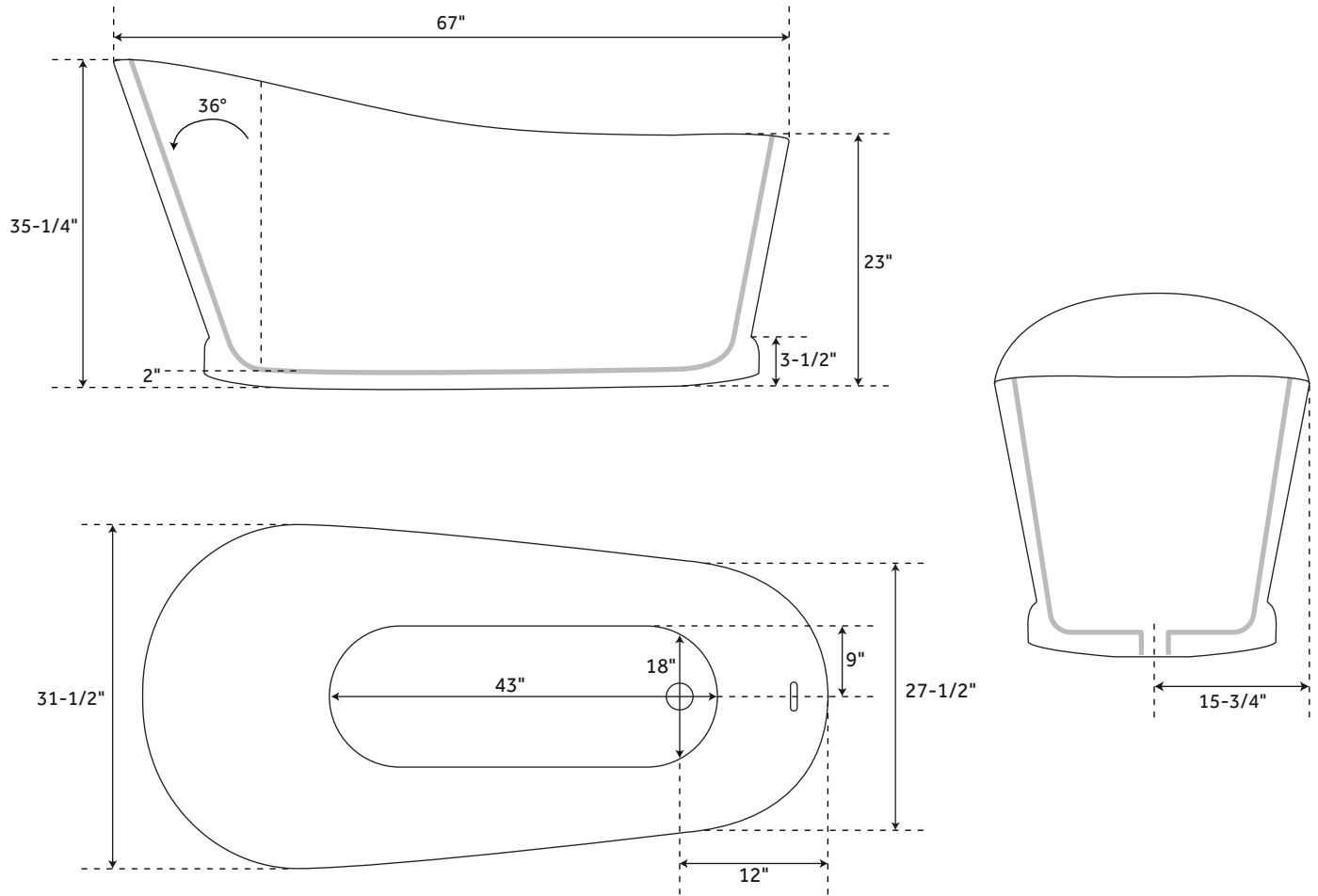
TEES FOR AIR JETS



# 67" NORTHWICH

## ACRYLIC FREESTANDING SLIPPER TUB

SKU: 944540



### FEATURES

Product Finish: White  
Overflow Hole: Yes  
Integral Drain & Overflow: Yes  
Material: Acrylic  
Length: 67"  
Width: 31-1/2"  
Height: 35-1/4"  
Tub Interior Length: 43"  
Tub Interior Width: 18"  
Tub Slope: 36°  
Water Depth To Rim: 18"  
Water Depth To Overflow: 16"  
Drain Included: Yes  
Drain Placement: End  
Faucet Included: No  
Faucet Drillings: No Drillings  
Water Capacity (Gallons): 54  
Built-In Adjusters: Yes  
Tub Weight Uncrated (lbs): 128  
Tub Weight Crated (lbs): 240  
Number Of Jets: 12

### SIGNATURE HARDWARE LIFETIME WARRANTY

See website for warranty information



All dimensions and specifications are nominal and may vary. Use actual products for accuracy in critical situations.

PAGE 3