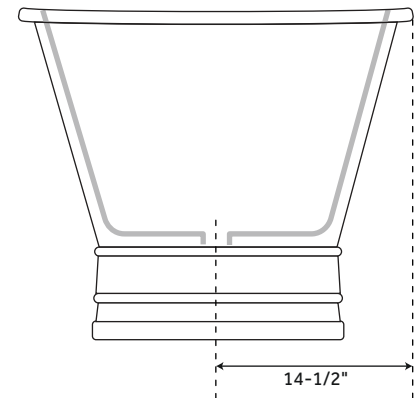
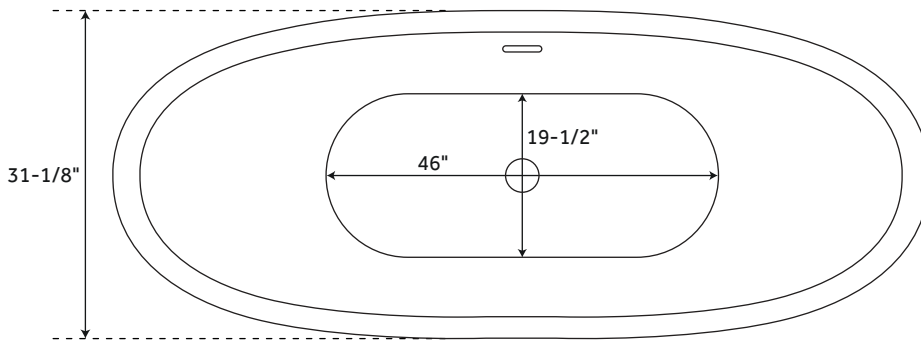
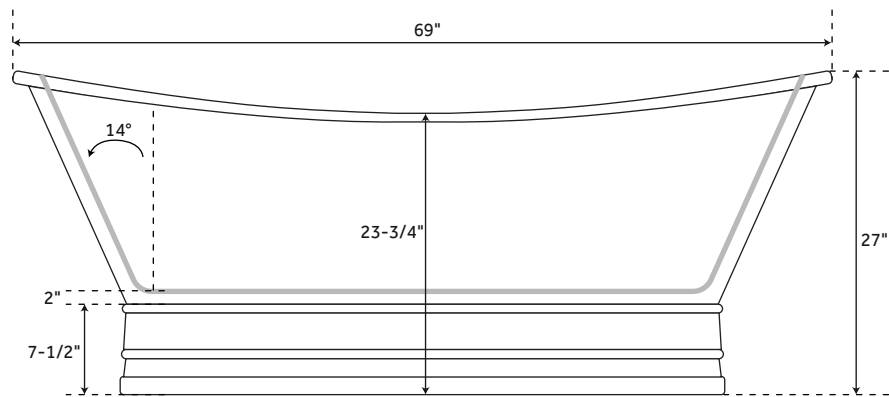


69" DESBOROUGH

ACRYLIC FREESTANDING DOUBLE-SLIPPER TUB

SKU: 944536, 946777



FEATURES

Features: Integral Drain & Overflow
Overflow Hole: Yes
Integral Drain & Overflow: Yes
Material: Acrylic
Length: 69"
Width: 31-1/8"
Height: 27"
Tub Interior Length: 46"
Tub Interior Width: 19-1/2"
Tub Slope: 14°
Water Depth To Rim: 17"
Water Depth To Overflow: 14-1/2"
Drain Included: Yes
Drain Placement: Center
Faucet Included: No
Faucet Drillings: No Drillings
Water Capacity (Gallons): 56
Built-In Adjusters: Yes
Tub Weight Uncrated (lbs): 112
Tub Weight Crated (lbs): 222

SIGNATURE HARDWARE LIFETIME WARRANTY

See website for warranty information



All measurements are approximate. Measurements may vary +/- 1/2".

REVISED 08/08/2019