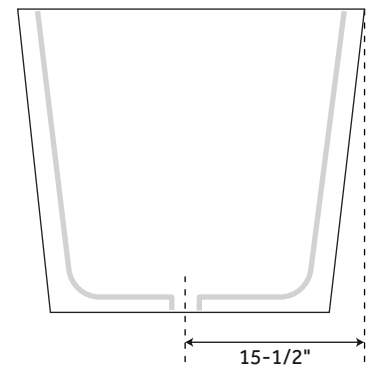
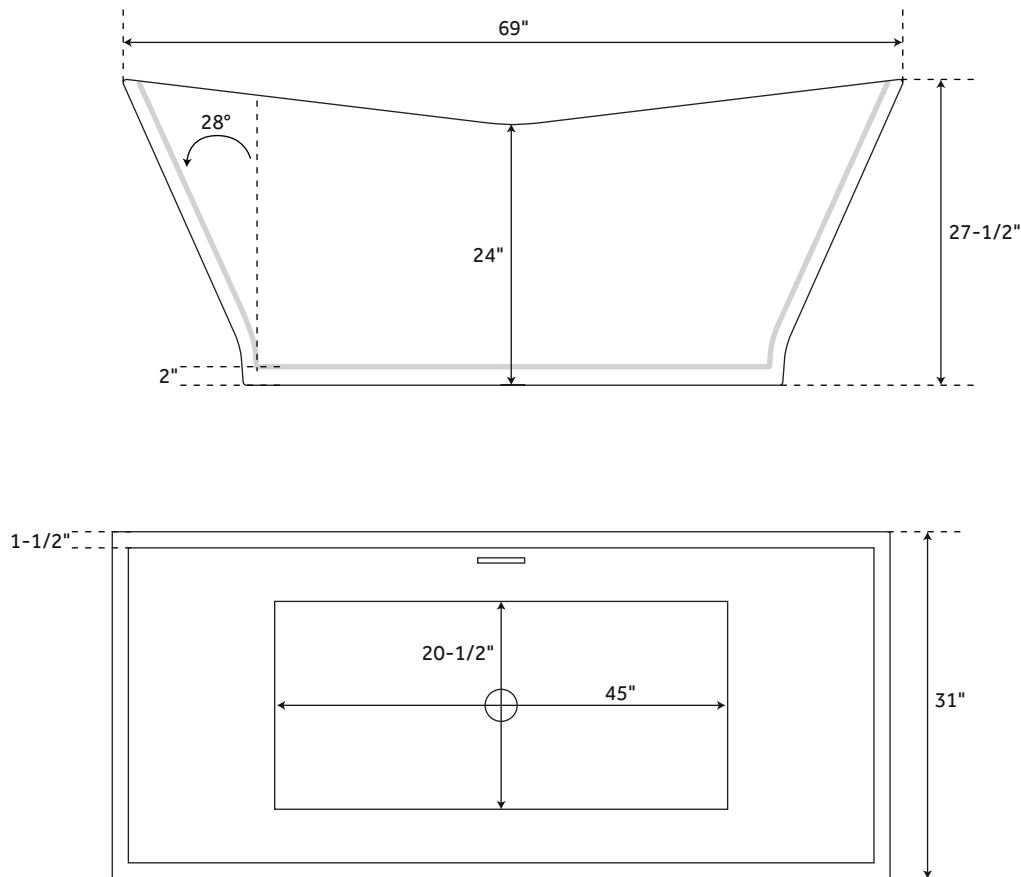


69" NEWHAVEN

FREESTANDING ACRYLIC TUB

SKU: 944533



FEATURES

Product Finish: White
Overflow Hole: Yes
Integral Drain & Overflow: Yes
Material: Acrylic
Length: 69"
Width: 31"
Height: 27-1/2"
Tub Interior Length: 45"
Tub Interior Width: 20-1/2"
Tub Slope: 28°
Water Depth To Rim: 17"
Water Depth To Overflow: 15"
Drain Included: Yes
Drain Placement: Center
Faucet Included: No
Faucet Drillings: No Drillings
Water Capacity (Gallons): 60
Built-In Adjusters: Yes
Tub Weight Uncrated (lbs): 149
Tub Weight Crated (lbs): 259
Number Of Jets: 12

SIGNATURE HARDWARE LIFETIME WARRANTY

See website for warranty information



All measurements are approximate. Measurements may vary +/- 1/2".

REVISED 04/22/2019