

69" NEWHAVEN

ACRYLIC FREESTANDING SLIPPER TUB

SKU: 944533



FEATURES

Product Finish: White
Overflow Hole: Yes
Integral Drain & Overflow : Yes
Material: Acrylic
Length: 69"
Width: 31"
Height: 27-1/2"
Tub Interior Length: 45"
Tub Interior Width: 20-1/2"
Tub Slope: 28°
Water Depth To Rim: 17"
Water Depth To Overflow: 15"
Drain Included: Yes
Drain Placement: Center
Faucet Included: No
Faucet Drillings: No Drillings
Water Capacity (Gallons): 60
Built-In Adjusters: Yes
Tub Weight Uncrated (lbs): 149
Tub Weight Crated (lbs): 259
Number Of Jets: 12

SIGNATURE HARDWARE Lifetime Warranty

See website for detailed warranty information.

CONTENTS

AIR TUB	PAGE 2
69" TUB	PAGE 3

REVISED 11/24/2020

69" NEWHAVEN AIR TUB

COMPONENTS LIST

- BM-TWP BALL CHECK VALVE JETS
- MANI-SD-A SECURITY DEVICE
- MAN-A-4-AC MANIFOLD
- SILVER SLS+ VARIABLE SPEED BLOWER

INSTALLATION

Install blower behind a wall (with an access panel) or in a closet. Blower can also be installed under floor. Ensure the security device, MANI-DS-A, is at least:

- 2" Above the tub rim

Security device and hose can be mounted in wall

REMOTE CONTROL

- CG+/RTC-SENSOR-WP
- 12 – 15 YEAR BATTERY LIFE

INSIDE OF BATH

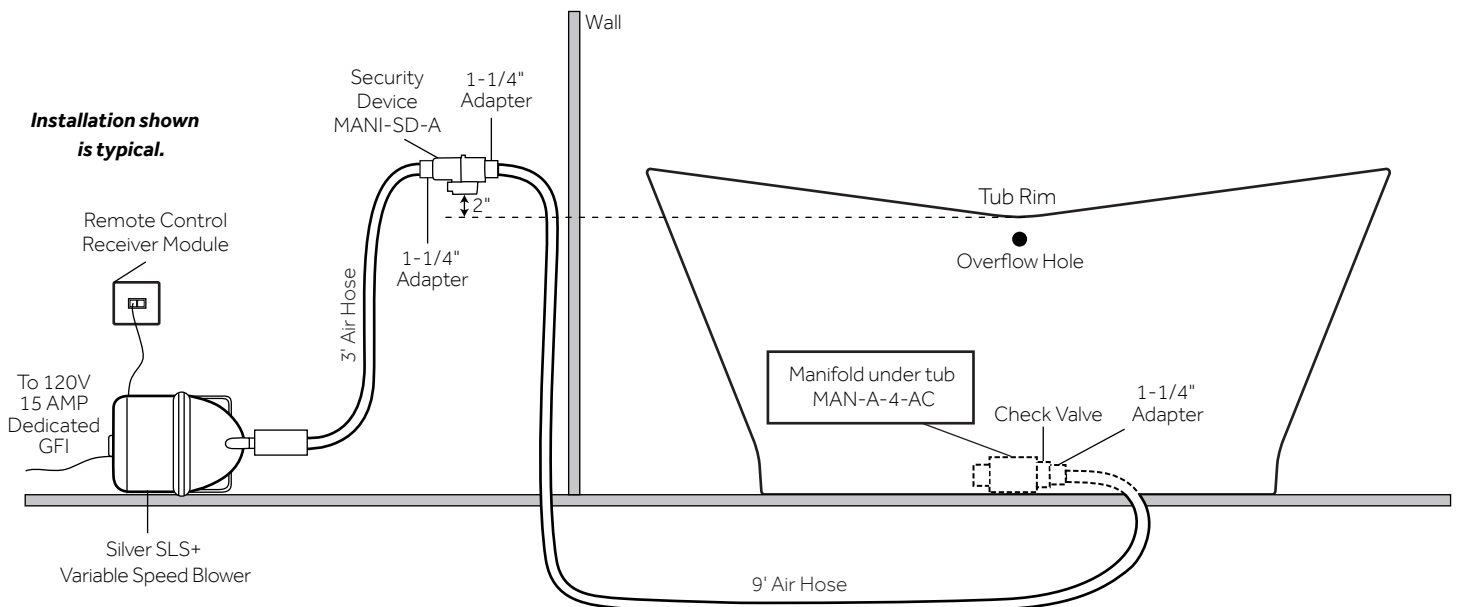
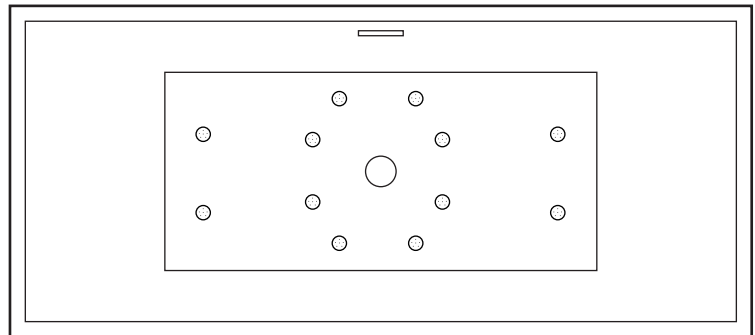
- (12) MAXI AIR JETS WITH 24 OPENINGS



ELBOWS FOR
AIR JETS



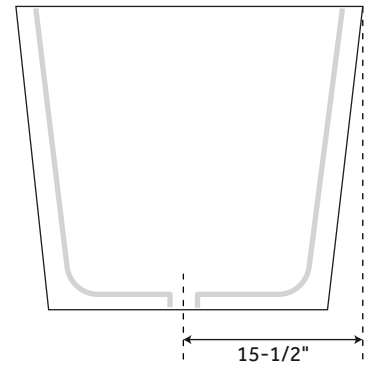
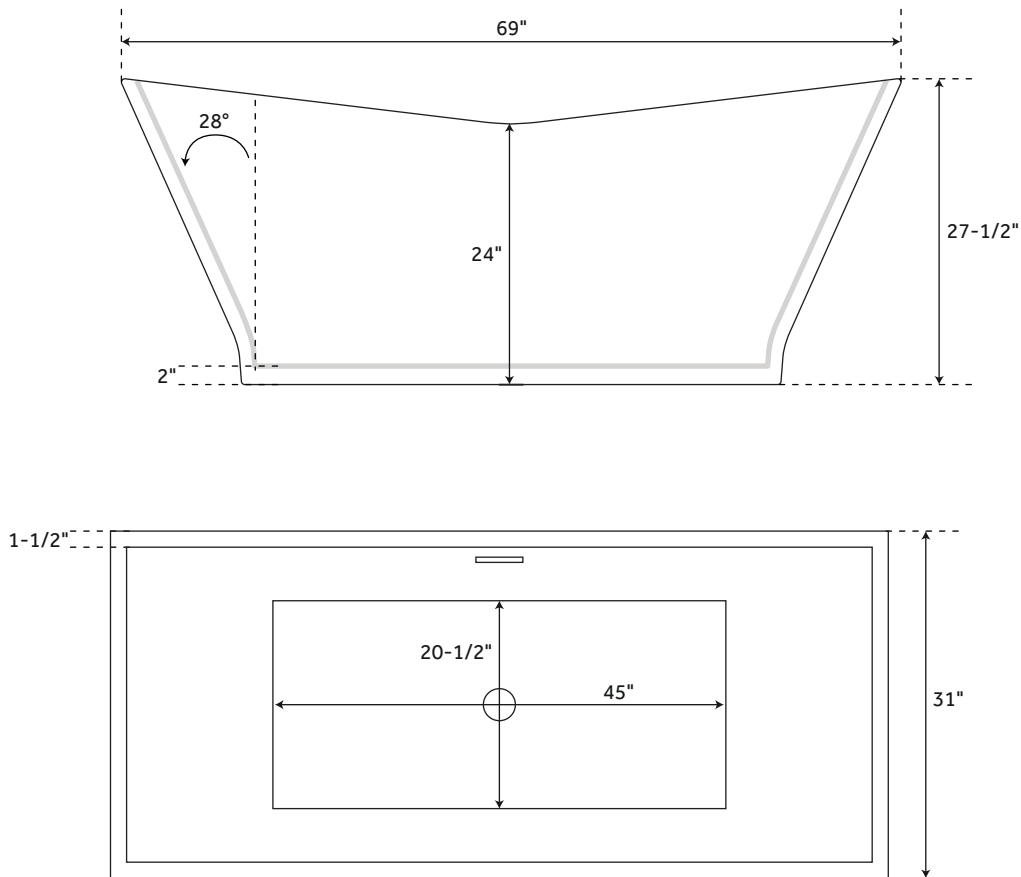
TEES FOR
AIR JETS



69" NEWHAVEN

ACRYLIC FREESTANDING SLIPPER TUB

SKU: 944533



FEATURES

Product Finish: White
Overflow Hole: Yes
Integral Drain & Overflow: Yes
Material: Acrylic
Length: 69"
Width: 31"
Height: 27-1/2"
Tub Interior Length: 45"
Tub Interior Width: 20-1/2"
Tub Slope: 28°
Water Depth To Rim: 17"
Water Depth To Overflow: 15"
Drain Included: Yes
Drain Placement: Center
Faucet Included: No
Faucet Drillings: No Drillings
Water Capacity (Gallons): 60
Built-In Adjusters: Yes
Tub Weight Uncrated (lbs): 149
Tub Weight Crated (lbs): 259
Number Of Jets: 12

SIGNATURE HARDWARE LIFETIME WARRANTY

See website for warranty information



All dimensions and specifications are nominal and may vary. Use actual products for accuracy in critical situations.

PAGE 3