

LATTIMORE

SHOWER SYSTEM WITH RAINFALL SHOWER HEAD & HAND SHOWER

SKU: 931419



FEATURES

Shower system includes wall mount rainfall shower head, wall mount hand shower, hand shower water connection and a 2-way in-wall diverter. 2-way diverter features 1/2" IPS inlets, and controls water flow between 2 shower outlets. Diverter includes the valve, metal lever handle and push button knob. Hand shower is made of ABS.

CONTENTS

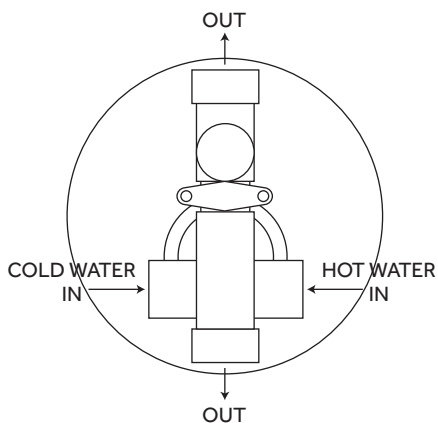
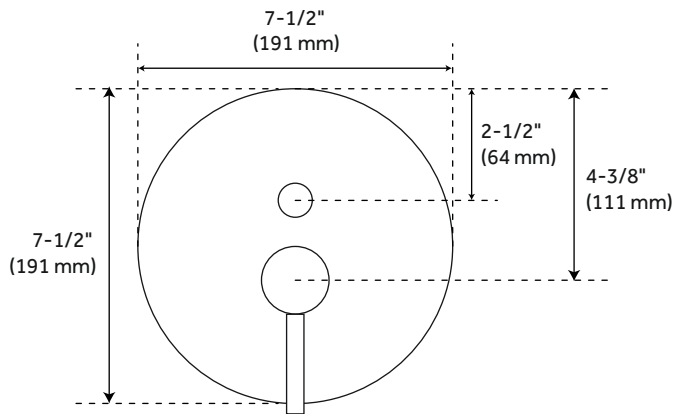
VALVE & DIVERTER	PAGE 2
SHOWER HEAD	PAGE 3
HAND SHOWER	PAGE 4

REVISED 10/15/2020

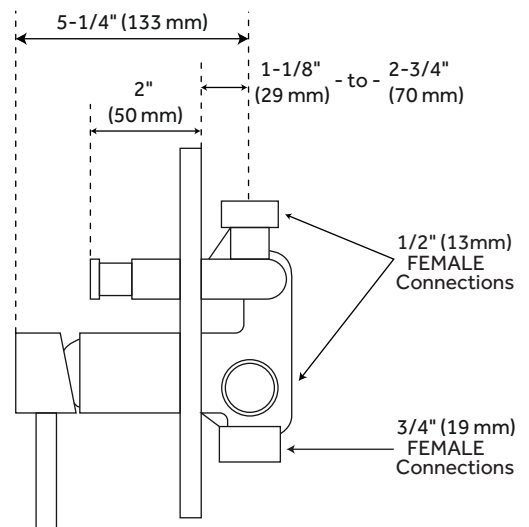
LATTIMORE

SHOWER VALVE AND DIVERTER

SKU: 931419



Back



FEATURES

- Material: Brass
- Handle Type: Lever
- Features: Hand Shower Included, Pressure-balanced
- Assembly Required: No
- Mounting Hardware Included: Yes
- Base Plate Height: 7-1/2"
- Base Plate Width: 7-1/2"
- Shower Head Installation Type: Wall
- Shower Head Diameter: 7-1/2"
- Shower Head Material: Brass
- Shower Arm Included: Yes
- Shower Arm Extension: 15-1/2"
- Shower Arm Height: 2-1/2"
- Hand Shower Length: 9-1/2"
- Hand Shower Hose Length: 59"
- Hand Shower Material: Abs

PRODUCT IMAGE



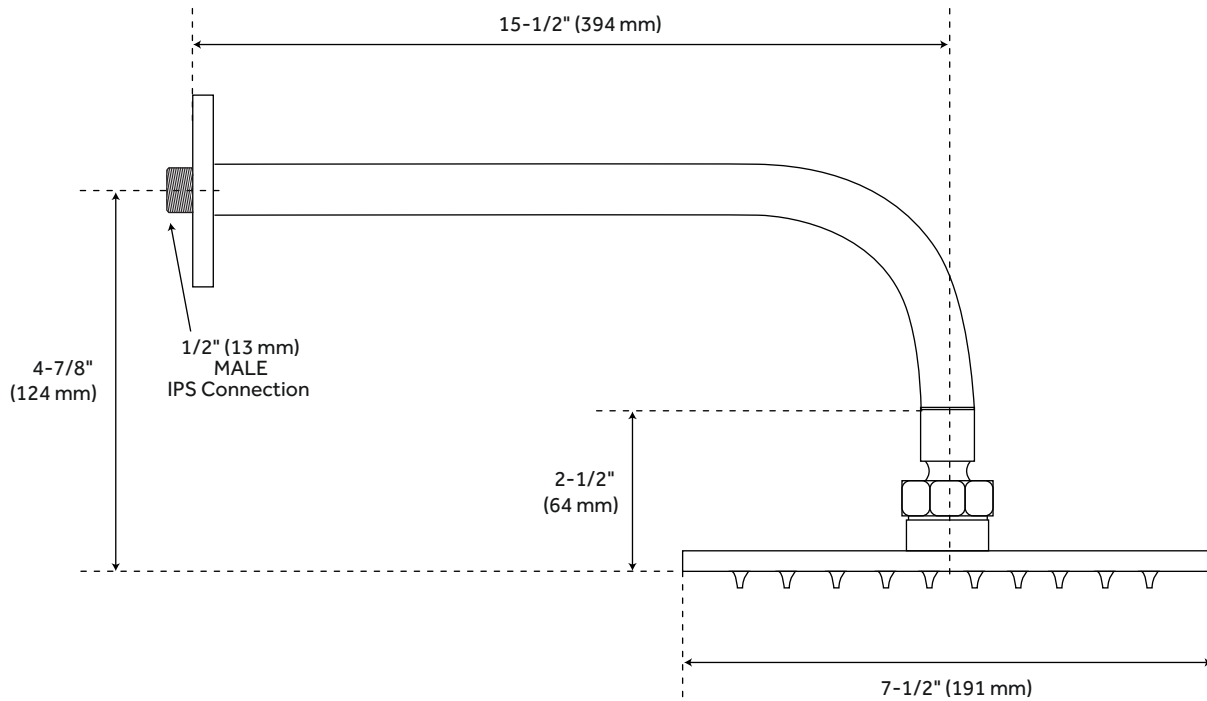
All dimensions and specifications are nominal and may vary. Use actual products for accuracy in critical situations.

PAGE 2

LATTIMORE

WALL-MOUNT RAINFALL SHOWER HEAD

SKU: 931419



FEATURES

- Material: Brass
- Handle Type: Lever
- Features: Hand Shower Included, Pressure-balanced
- Assembly Required: No
- Mounting Hardware Included: Yes
- Base Plate Height: 7-1/2"
- Base Plate Width: 7-1/2"
- Shower Head Installation Type: Wall
- Shower Head Diameter: 7-1/2"
- Shower Head Material: Brass
- Shower Arm Included: Yes
- Shower Arm Extension: 15-1/2"
- Shower Arm Height: 2-1/2"
- Hand Shower Length: 9-1/2"
- Hand Shower Hose Length: 59"
- Hand Shower Material: Abs

PRODUCT IMAGE



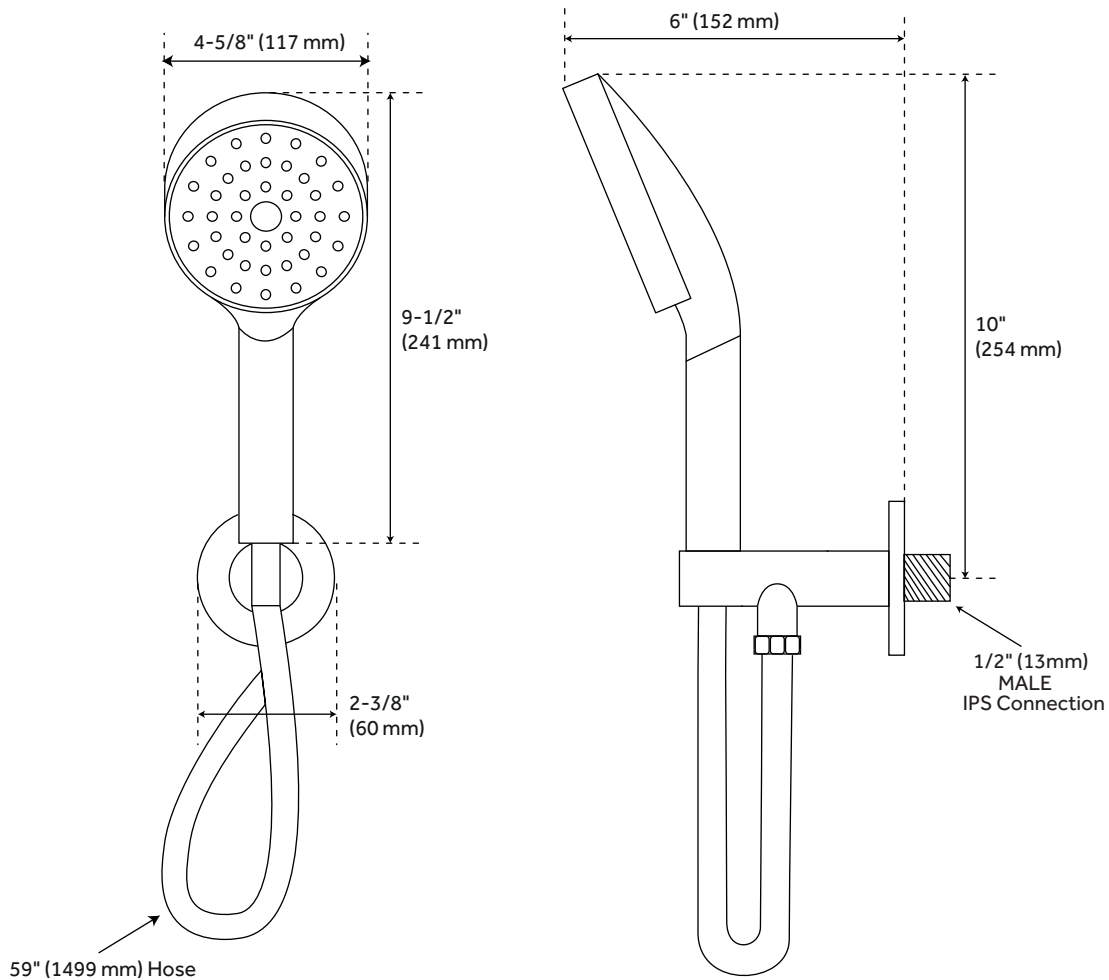
All dimensions and specifications are nominal and may vary. Use actual products for accuracy in critical situations.

PAGE 3

LATTIMORE

HAND SHOWER

SKU: 931419



FEATURES

- Material: Brass
- Handle Type: Lever
- Features: Hand Shower Included, Pressure-balanced
- Assembly Required: No
- Mounting Hardware Included: Yes
- Base Plate Height: 7-1/2"
- Base Plate Width: 7-1/2"
- Shower Head Installation Type: Wall
- Shower Head Diameter: 7-1/2"
- Shower Head Material: Brass
- Shower Arm Included: Yes
- Shower Arm Extension: 15-1/2"
- Shower Arm Height: 2-1/2"
- Hand Shower Length: 10"
- Hand Shower Hose Length: 59"
- Hand Shower Material: Abs

PRODUCT IMAGE



All dimensions and specifications are nominal and may vary. Use actual products for accuracy in critical situations.

PAGE 4