



TRIMBLE DUAL SHOWER HEAD SHOWER SYSTEM WITH HAND SHOWER

SPECIFICATIONS

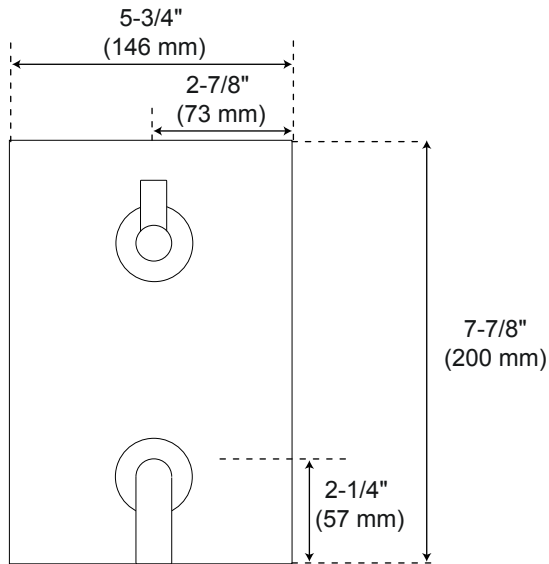
CONTENTS

Diverter.....	2
Wall Shower Head.....	3
Overhead Shower Head.....	4
Handshower.....	5

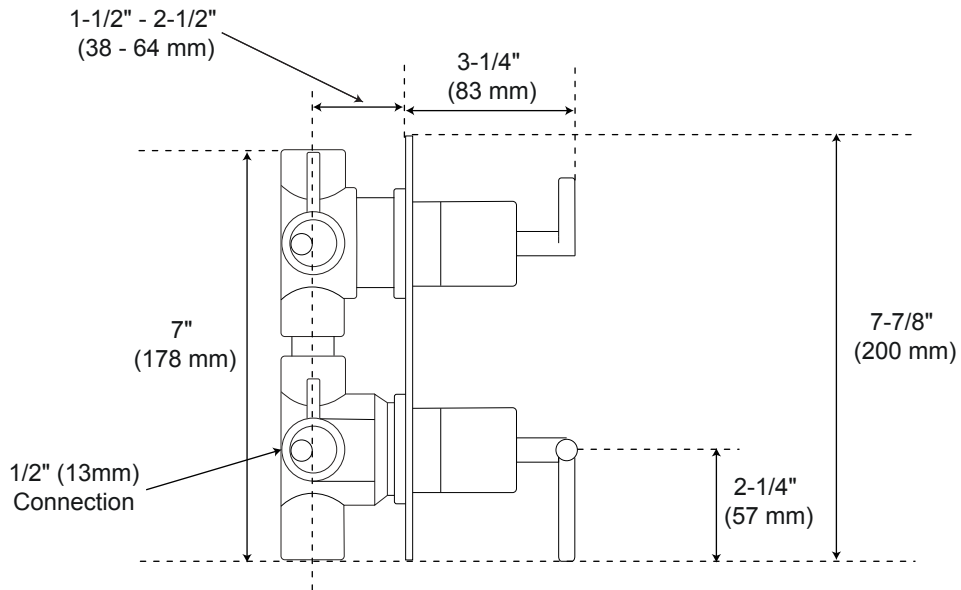


Diverter

Front



Side

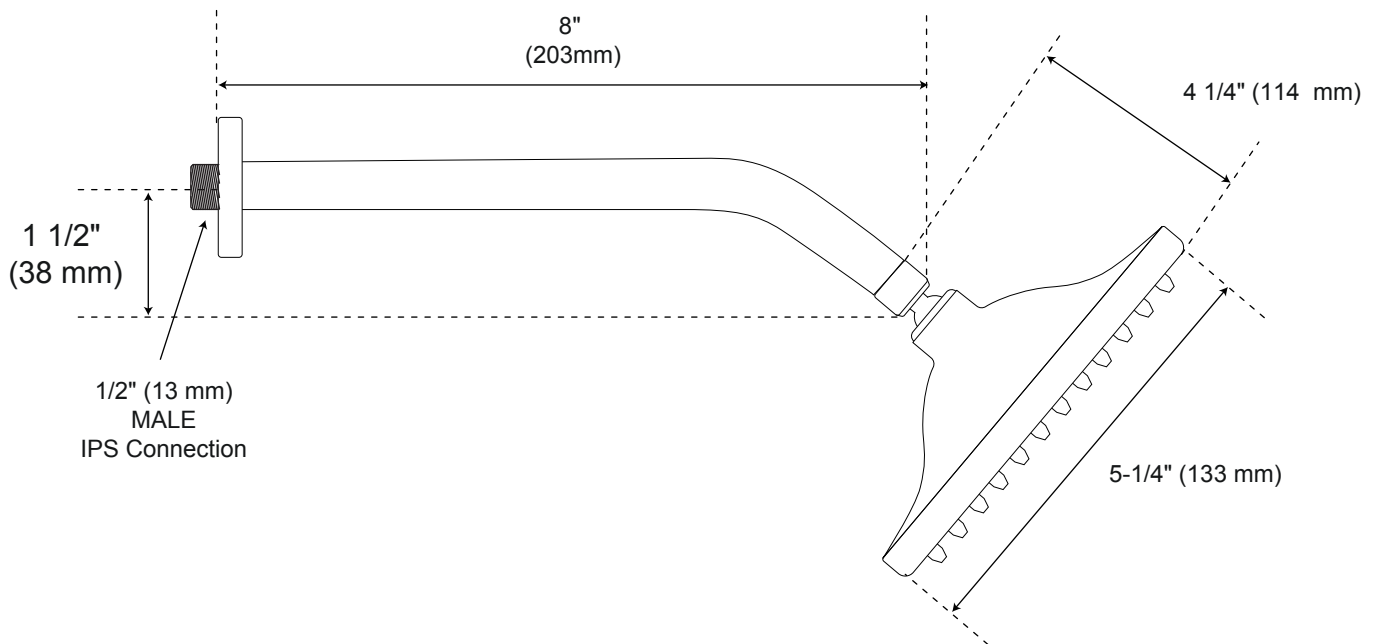


All product dimensions are nominal.



Wall Shower Head

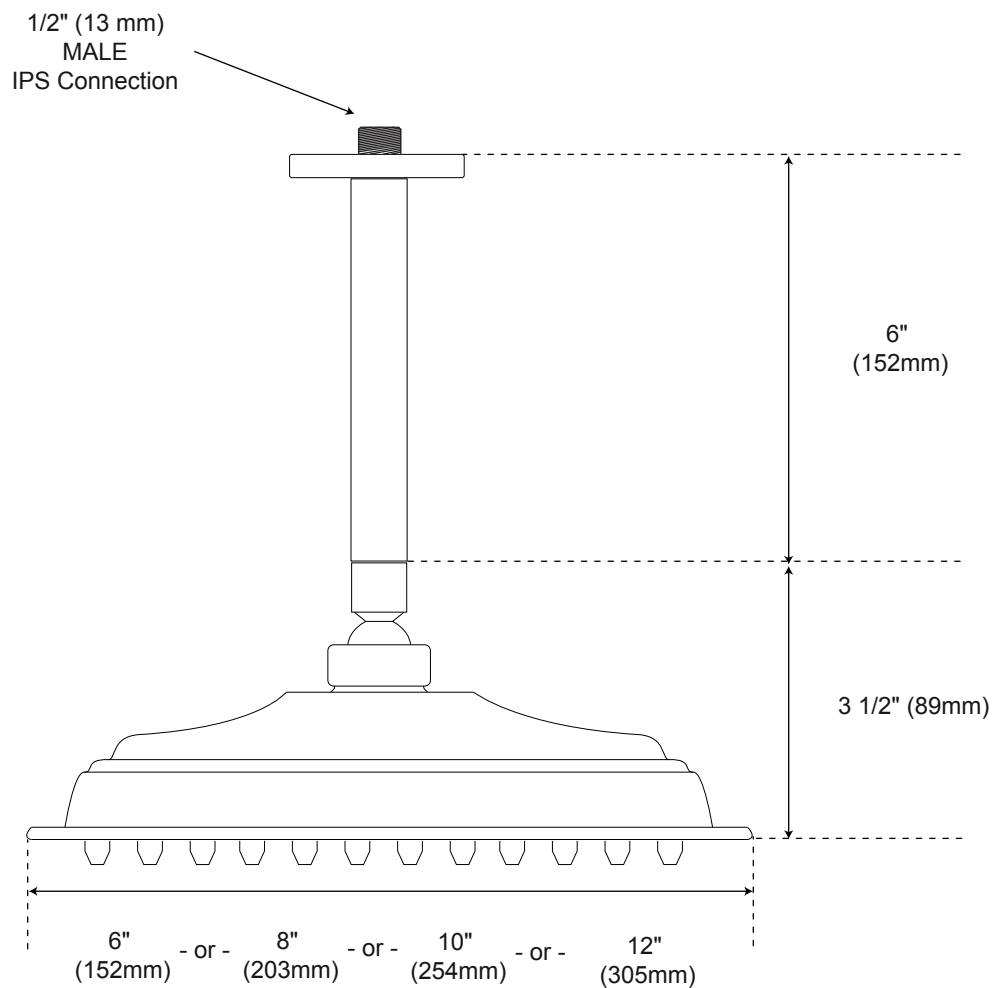
Side



All product dimensions are nominal.



Overhead Shower Head



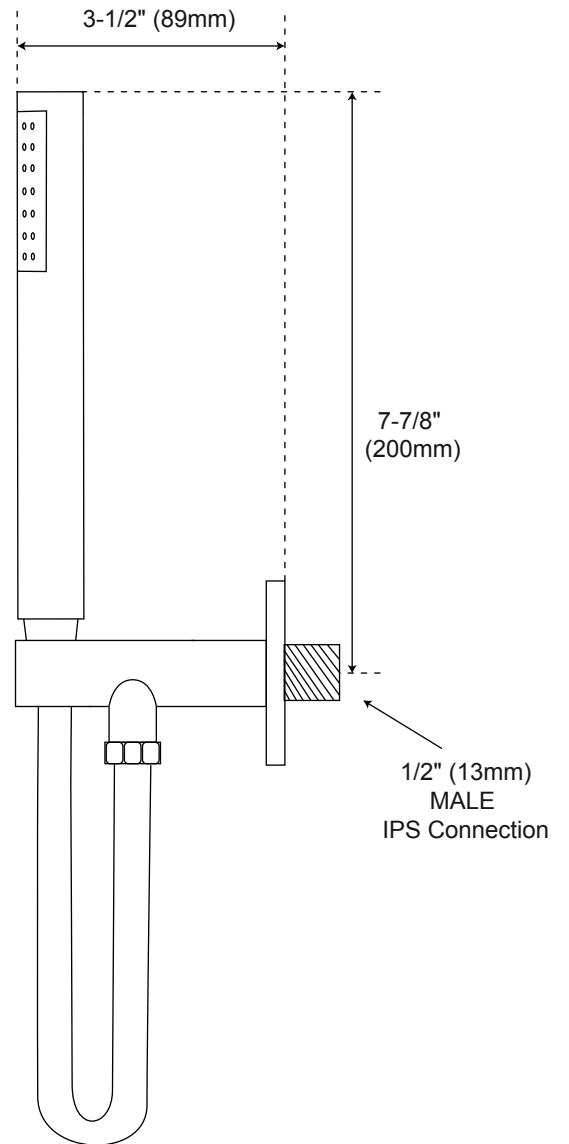
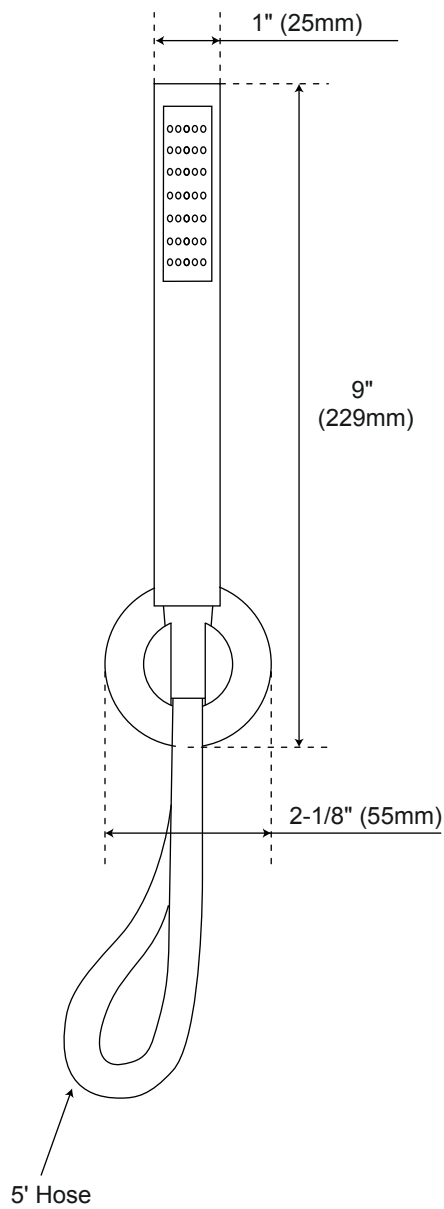
All product dimensions are nominal.



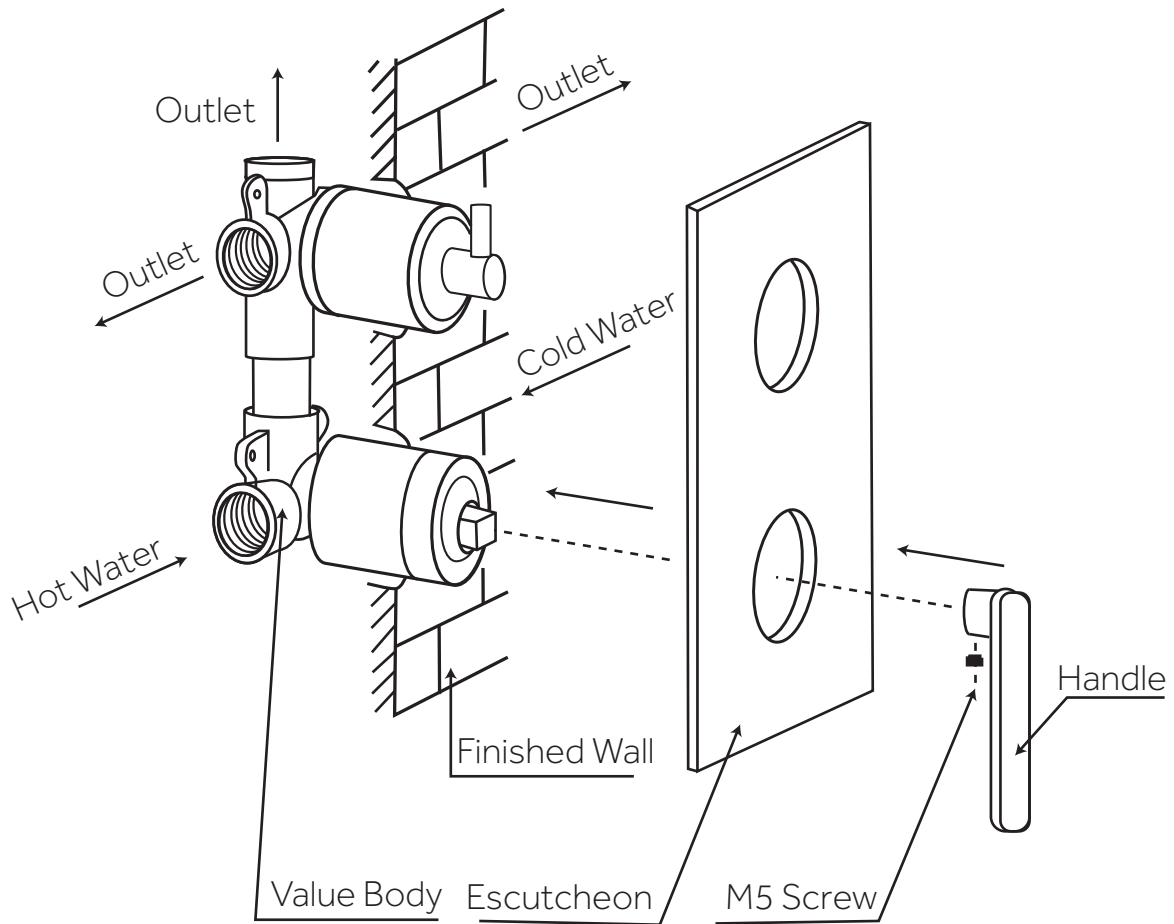
Handshower

Front

Side



All product dimensions are nominal.



All product dimensions are nominal.