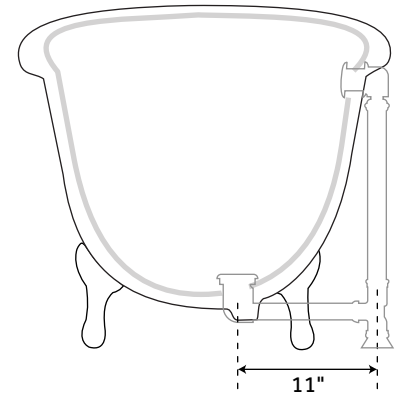
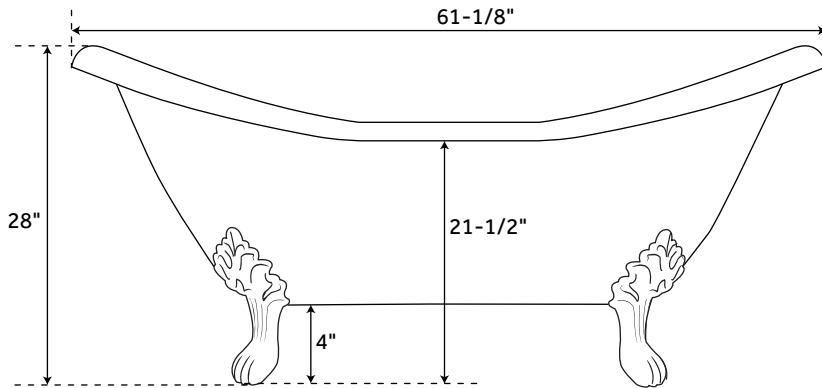


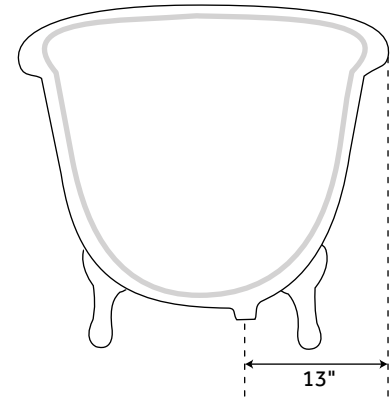
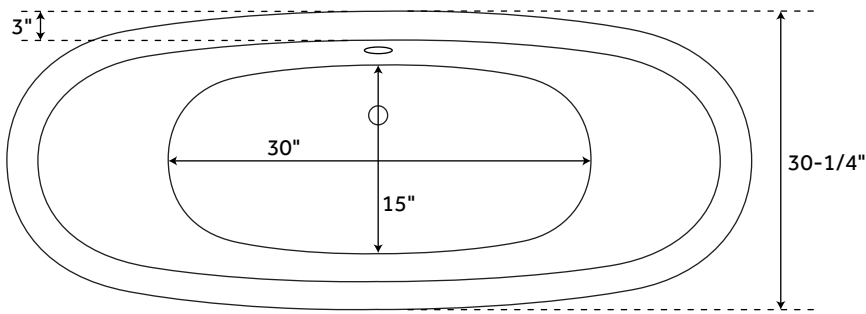
61" ARABELLA

CAST IRON DOUBLE-SLIPPER TUB - LION PAW FEET

SKU: 930796, 930797, 930798, 938000



Optional Overflow Rough-in



FEATURES

Design: Traditional
Overflow Hole: Yes
Shape: Oval
Material: Cast Iron
Length: 61-1/8"
Width: 30-1/4"
Height: 28"
Tub Interior Length: 30"
Tub Interior Width: 15"
Water Depth to Rim: 16-3/4"
Water Depth To Overflow: 12-3/4"
Exterior Treatment:
 Hand-Smoothed Painted
Interior Treatment: White Porcelain Enamel
Feet Type: Lion Paw
Feet Material: Cast Iron
Drain Placement: Offset
Water Capacity (Gallons): 26
Built-In Adjusters: Yes
Tub Weight Uncrated (lbs): 300
Tub Weight Crated (lbs): 410

SIGNATURE HARDWARE LIFETIME WARRANTY

See website for warranty information



All dimensions and specifications are nominal and may vary. Use actual products for accuracy in critical situations.

REVISED 10/21/2019