

ARRINGTON

ACRYLIC FREESTANDING TUB

SKU: 930341



FEATURES

Design: Modern
Product Finish: White
Features: Back to Wall
Overflow Hole: No
Shape: Specialty
Material: Acrylic
Tap Deck: No
Drain Included: Optional
Drain Placement: Center
Faucet Included: No
Faucet Drillings: No Drillings
Built-In Adjusters: Yes

SIGNATURE HARDWARE Lifetime Warranty

See website for detailed warranty information.

CONTENTS

AIR TUB	PAGE 2
59" TUB	PAGE 3
67" TUB	PAGE 4

REVISED 10/10/2019

ARRINGTON AIR TUB

COMPONENTS LIST

- BM-TWP BALL CHECK VALVE JETS
- MANI-SD-A SECURITY DEVICE
- MAN-A-4-AC MANIFOLD
- SILVER SLS+ VARIABLE SPEED BLOWER

INSTALLATION

Install blower behind a wall (with an access panel) or in a closet. Blower can also be installed under floor. Ensure the security device, MANI-DS-A, is at least:

- 2" Above the tub rim

Security device and hose can be mounted in wall

REMOTE CONTROL

- CG+/RTC-SENSOR-WP
- 12 – 15 YEAR BATTERY LIFE

INSIDE OF BATH

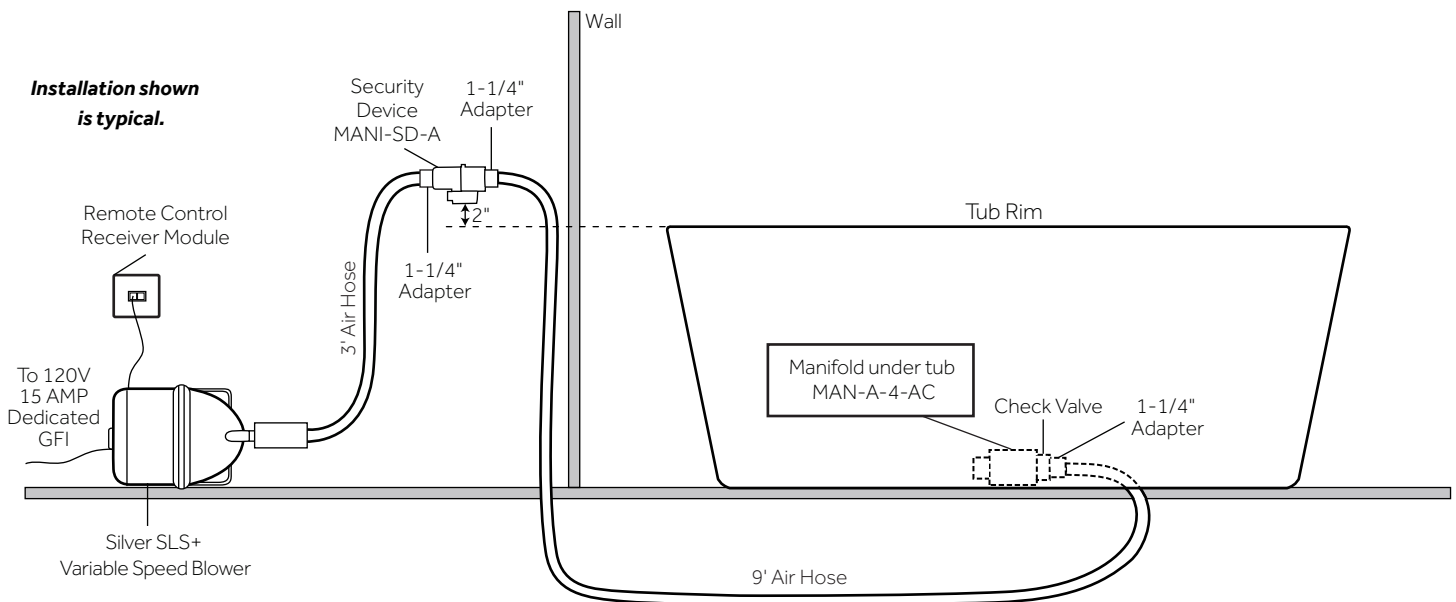
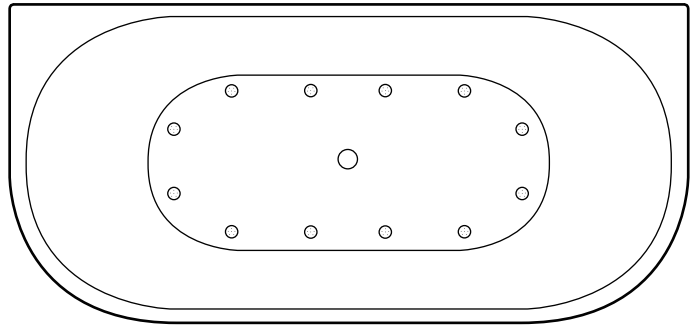
- (12) MAXI AIR JETS WITH 24 OPENINGS



ELBOWS FOR
AIR JETS



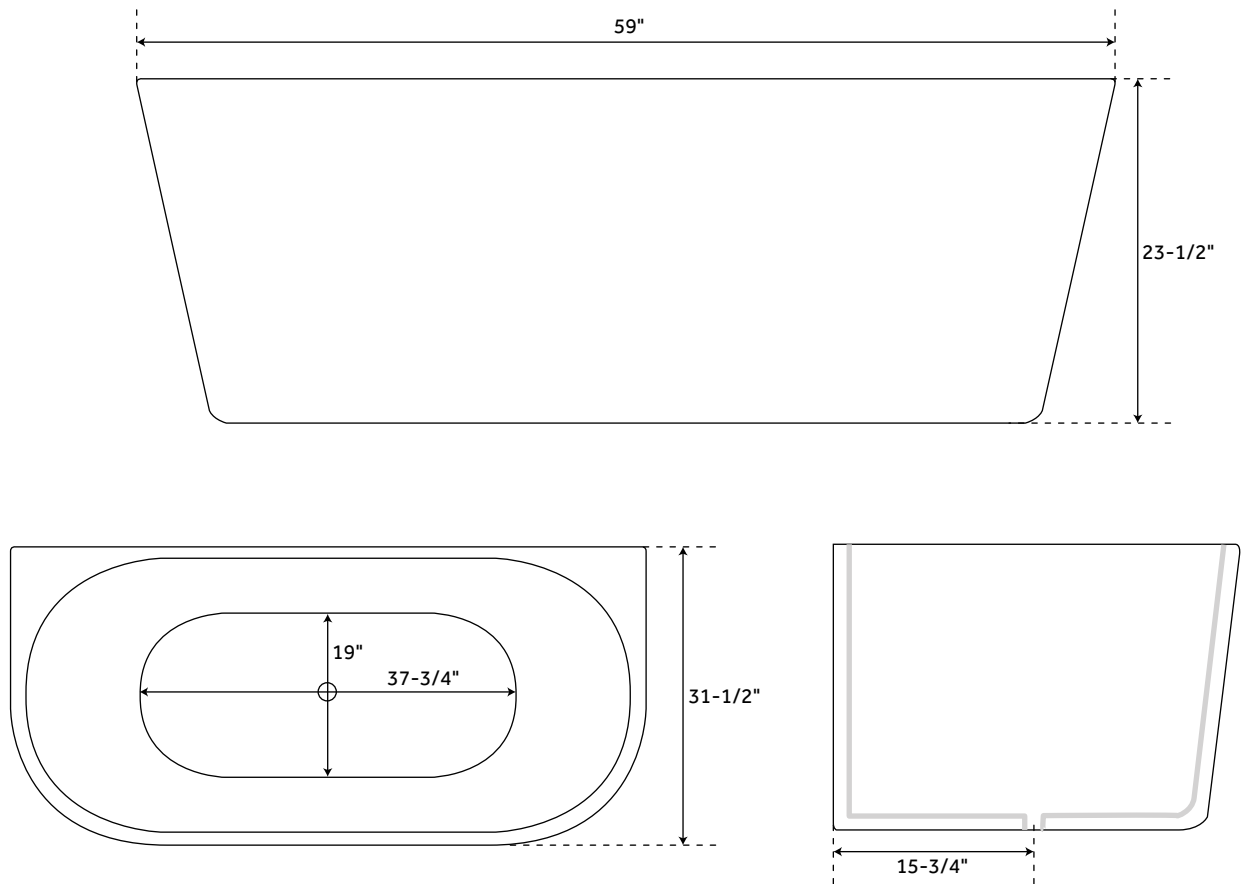
TEES FOR
AIR JETS



59" ARRINGTON

ACRYLIC FREESTANDING TUB

SKU: 930341



FEATURES

Design: Modern
Product Finish: White
Features: Back to Wall
Overflow Hole: No
Shape: Specialty
Material: Acrylic
Length: 59"
Width: 31-1/2"
Height: 23-1/2"
Water Depth to Rim: 18-3/4"
Tap Deck: No
Drain Included: Optional
Drain Placement: Center
Faucet Included: No
Faucet Drillings: No Drillings
Water Capacity (Gallons): 57
Built-In Adjusters: Yes
Tub Weight Uncrated (lbs): 130
Tub Weight Crated (lbs): 240

CODES/STANDARDS

cUPC
CSA B45.5/IAPMO Z124



SIGNATURE HARDWARE LIFETIME WARRANTY

See website for warranty information



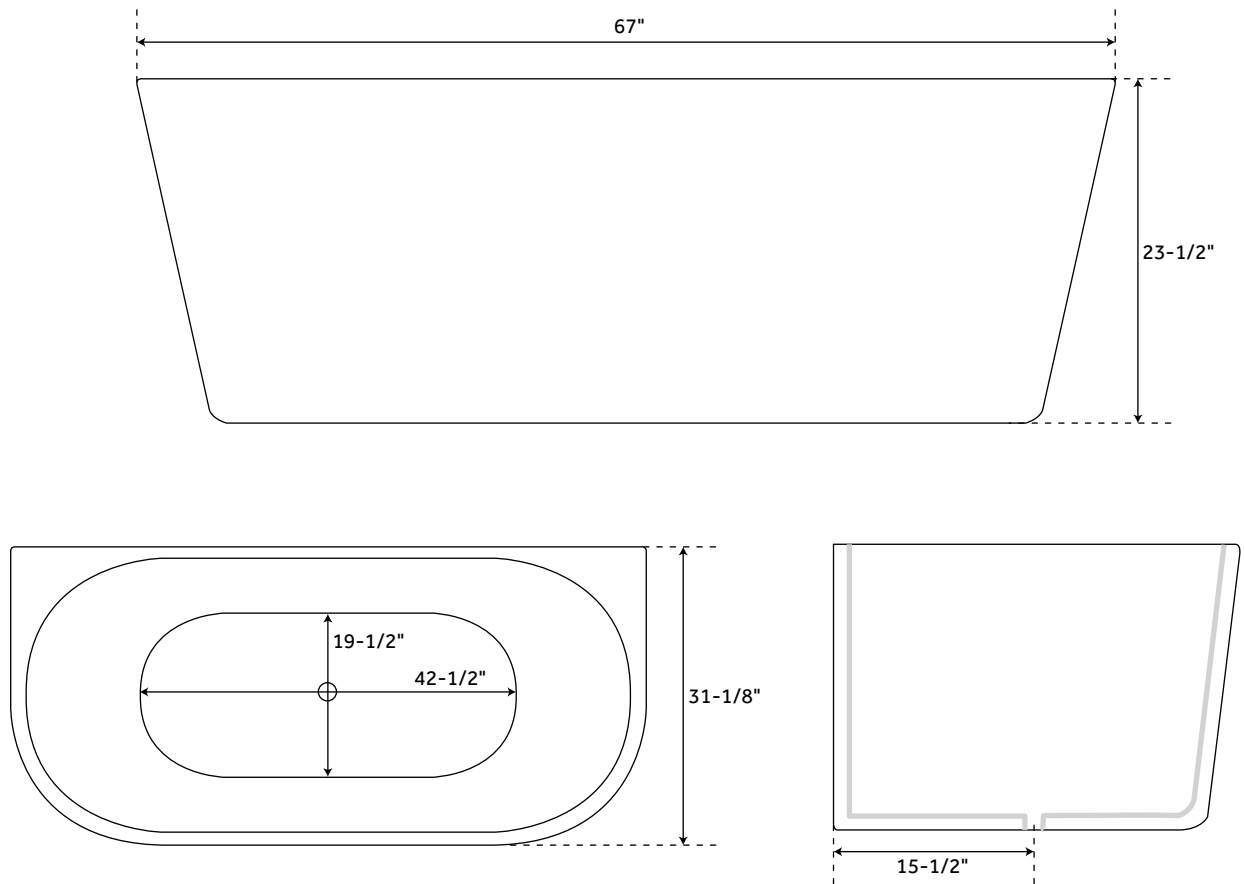
All dimensions and specifications are nominal and may vary. Use actual products for accuracy in critical situations.

PAGE 3

67" ARRINGTON

ACRYLIC FREESTANDING TUB

SKU: 930341



FEATURES

Design: Modern
Product Finish: White
Features: Back to Wall
Overflow Hole: No
Shape: Specialty
Material: Acrylic
Length: 67"
Width: 31-1/8"
Height: 23-1/2"
Water Depth to Rim: 18-3/4"
Tap Deck: No
Drain Included: Optional
Drain Placement: Center
Faucet Included: No
Faucet Drillings: No Drillings
Water Capacity (Gallons): 66
Built-In Adjusters: Yes
Tub Weight Uncrated (lbs): 150
Tub Weight Crated (lbs): 260

CODES/STANDARDS

cUPC
CSA B45.5/IAPMO Z124



SIGNATURE HARDWARE LIFETIME WARRANTY

See website for warranty information



All dimensions and specifications are nominal and may vary. Use actual products for accuracy in critical situations.

PAGE 4