

53" BAXTER

ACRYLIC FREESTANDING TUB

SKU: 929440



FEATURES

Product Finish: White
Overflow Hole: Optional
Material: Acrylic
Length: 53-1/4"
Width: 25-1/4"
Height: 19-5/8"
Tub Interior Length: 33"
Tub Interior Width: 16"
Water Depth to Rim: 15"
Water Depth To Overflow: 12-1/4"
Tap Deck: No
Drain Included: Optional
Drain Placement: Center
Faucet Included: No
Faucet Drillings: No Drillings
Water Capacity Without/With Overflow
(Gallons): 35/29
Built-In Adjusters: Yes
Tub Weight Uncrated (lbs): 89
Tub Weight Crated (lbs): 199

SIGNATURE HARDWARE Lifetime Warranty

See website for detailed warranty information.

CONTENTS

AIR TUB	PAGE 2
53" TUB	PAGE 3

REVISED 10/21/2019

53" BAXTER AIR TUB

COMPONENTS LIST

- BM-TWP BALL CHECK VALVE JETS
- MANI-SD-A SECURITY DEVICE
- MAN-A-4-AC MANIFOLD
- SILVER SLS+ VARIABLE SPEED BLOWER

INSTALLATION

Install blower behind a wall (with an access panel) or in a closet. Blower can also be installed under floor. Ensure the security device, MANI-DS-A, is at least:

- 2" Above the tub rim

Security device and hose can be mounted in wall

REMOTE CONTROL

- CG+/RTC-SENSOR-WP
- 12 – 15 YEAR BATTERY LIFE

INSIDE OF BATH

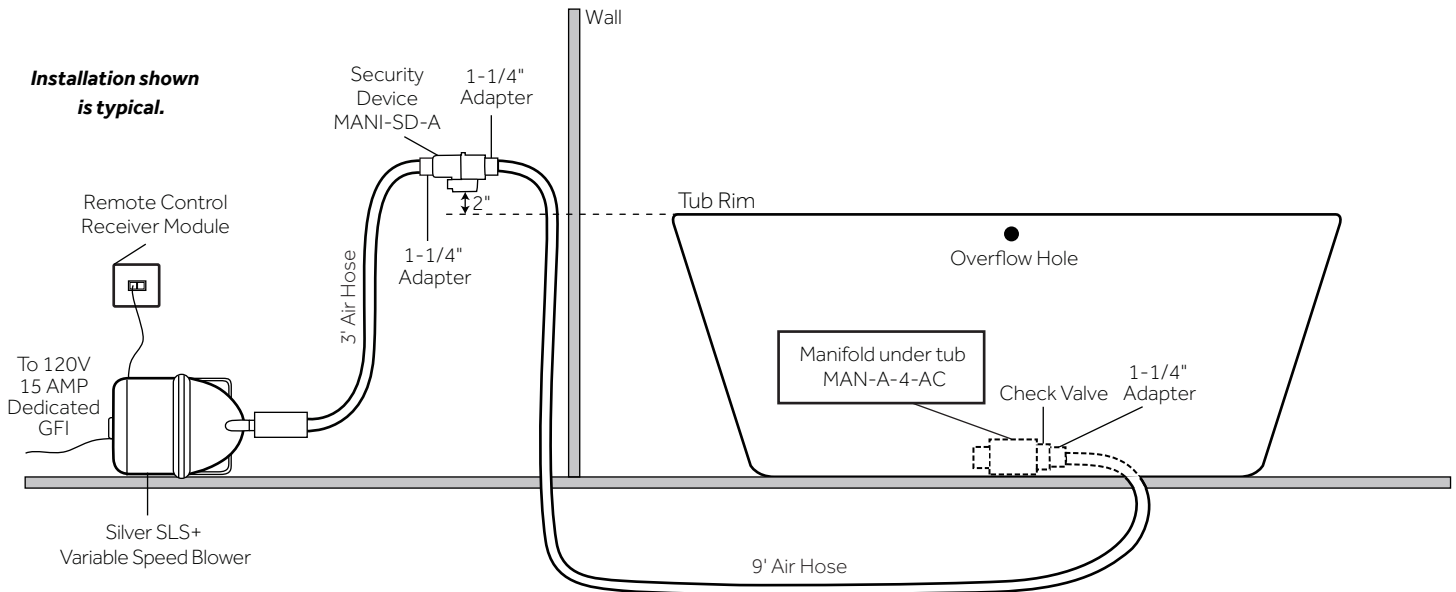
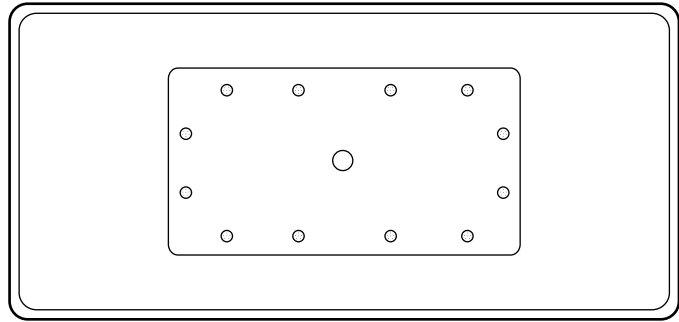
- (12) MAXI AIR JETS WITH 24 OPENINGS



ELBOWS FOR
AIR JETS



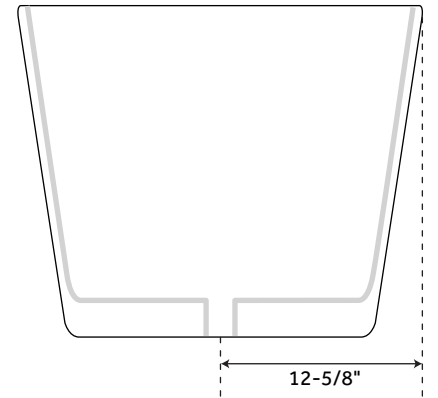
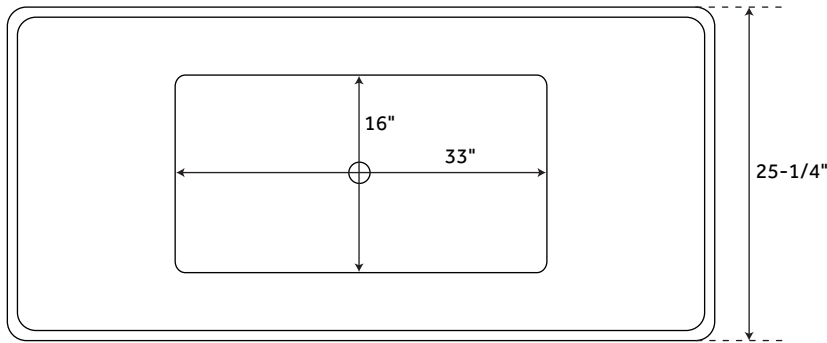
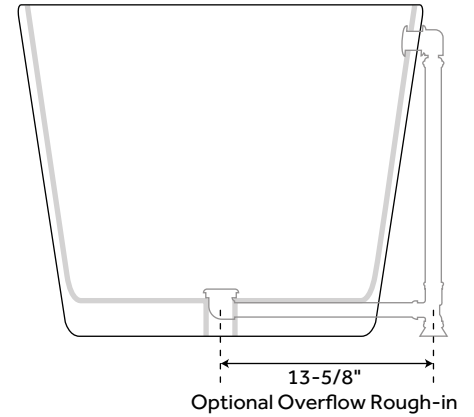
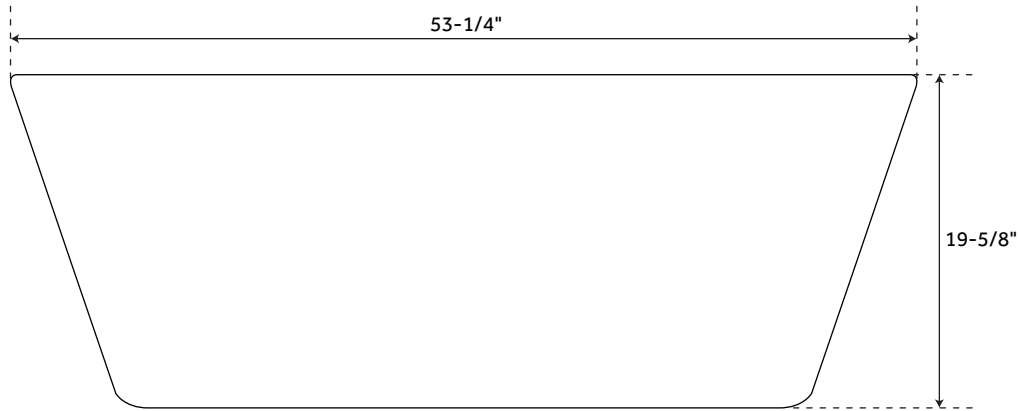
TEES FOR
AIR JETS



53" BAXTER

ACRYLIC FREESTANDING TUB

SKU: 929440



FEATURES

- Product Finish: White
- Overflow Hole: Optional
- Material: Acrylic
- Length: 53-1/4"
- Width: 25-1/4"
- Height: 19-5/8"
- Tub Interior Length: 33"
- Tub Interior Width: 16"
- Water Depth to Rim: 15"
- Water Depth To Overflow: 12-1/4"
- Tap Deck: No
- Drain Included: Optional
- Drain Placement: Center
- Faucet Included: No
- Faucet Drillings: No Drillings
- Water Capacity Without/With Overflow (Gallons): 35/29
- Built-In Adjusters: Yes
- Tub Weight Uncrated (lbs): 89
- Tub Weight Crated (lbs): 199

SIGNATURE HARDWARE LIFETIME WARRANTY

See website for warranty information



All dimensions and specifications are nominal and may vary. Use actual products for accuracy in critical situations.

PAGE 3