

LINDSEY

ACRYLIC FREESTANDING TUB

SKU: 929420



FEATURES

59" Dimensions: 59" L x 30-3/4" W (front to back) x 23-3/4" H ($\pm 1/2$ "). Water capacity without/with overflow: 48/41 gallons. Weight uncrated/crated: 90/100 lbs.

67" Dimensions: 67" L x 31-1/4" W (front to back) x 23-3/4" H ($\pm 1/2$ "). Water capacity without/with overflow: 63/54 gallons. Weight uncrated/crated: 100/210 lbs.

Formed of two acrylic sheets, the air between acting as thermal insulator.

Overflow option: includes Extended Pop-Up Drain with Swivel Head. Choose from a Standard overflow which remains open to allow water into the drain, a Press-and-seal overflow which can be closed for additional water depth, or a Daisy Wheel overflow for a classic look.

Air tub option: features 8 air jets that massage and relax. Remote control works within 15-foot radius and is designed to float. Tub and air system come fully assembled.

Insulation option: increases heat retention and prevents condensation due to water and air temperature fluctuations.

CONTENTS

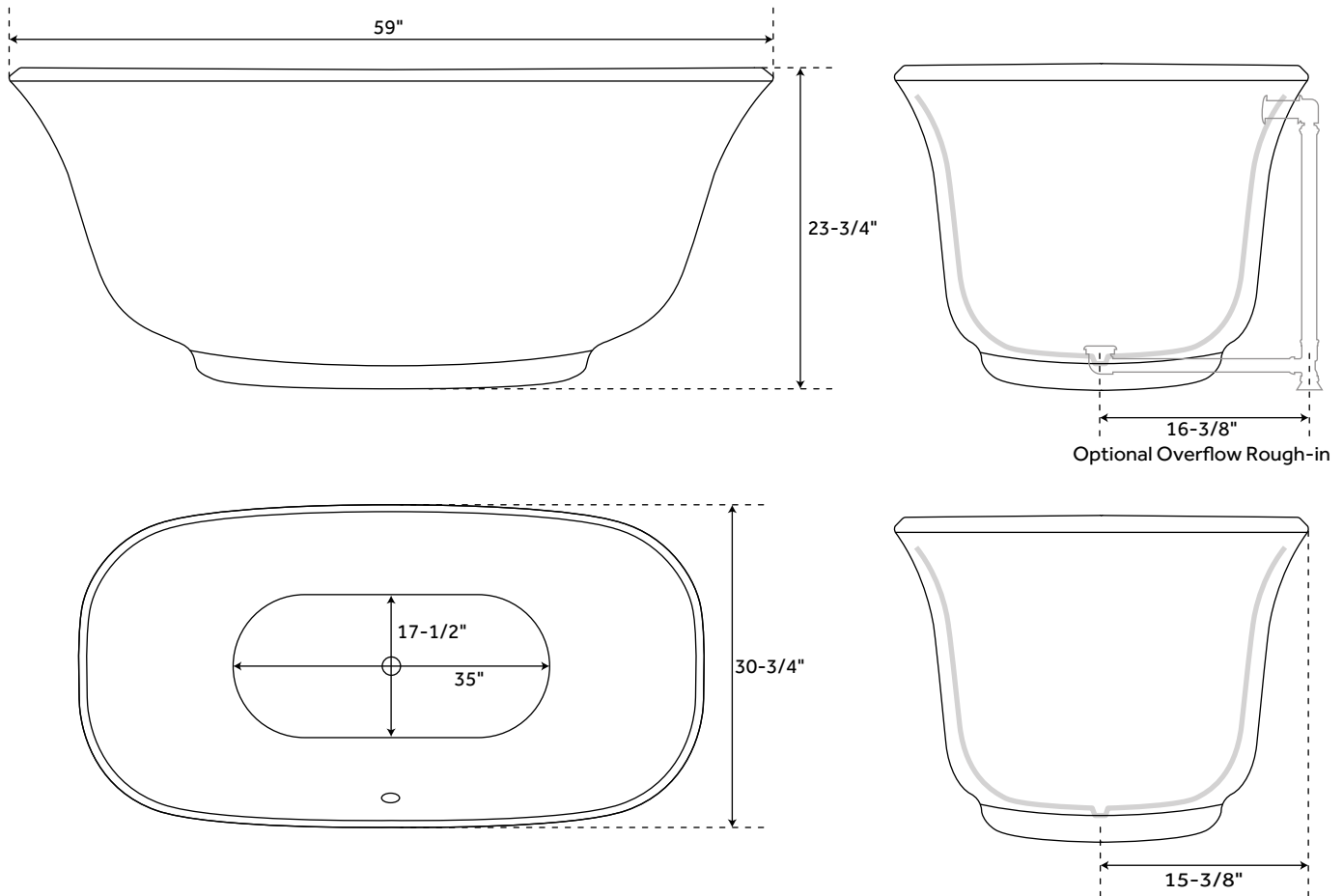
59" TUB	PAGE 2
67" TUB	PAGE 3

REVISED 04/22/2020

59" LINDSEY

ACRYLIC FREESTANDING TUB

SKU: 929420



FEATURES

Design: Modern
Product Finish: White
Overflow Hole: Optional
Shape: Oval
Material: Acrylic
Length: 59"
Width: 30-3/4"
Height: 23-3/4"
Tap Deck: No
Drain Included: Optional
Drain Placement: Center
Faucet Included: No
Faucet Drillings: No Drillings
Built-In Adjusters: Yes
Water Capacity Without/With Overflow
(Gallons): 48/41
Water Depth Without/With Overflow:
18-1/4"/15-1/2"
Tub Weight Uncrated (lbs): 90
Tub Weight Crated (lbs.): 100

CODES/STANDARDS

cUPC
CSA B45.5/IAPMO Z124



PRODUCT IMAGE



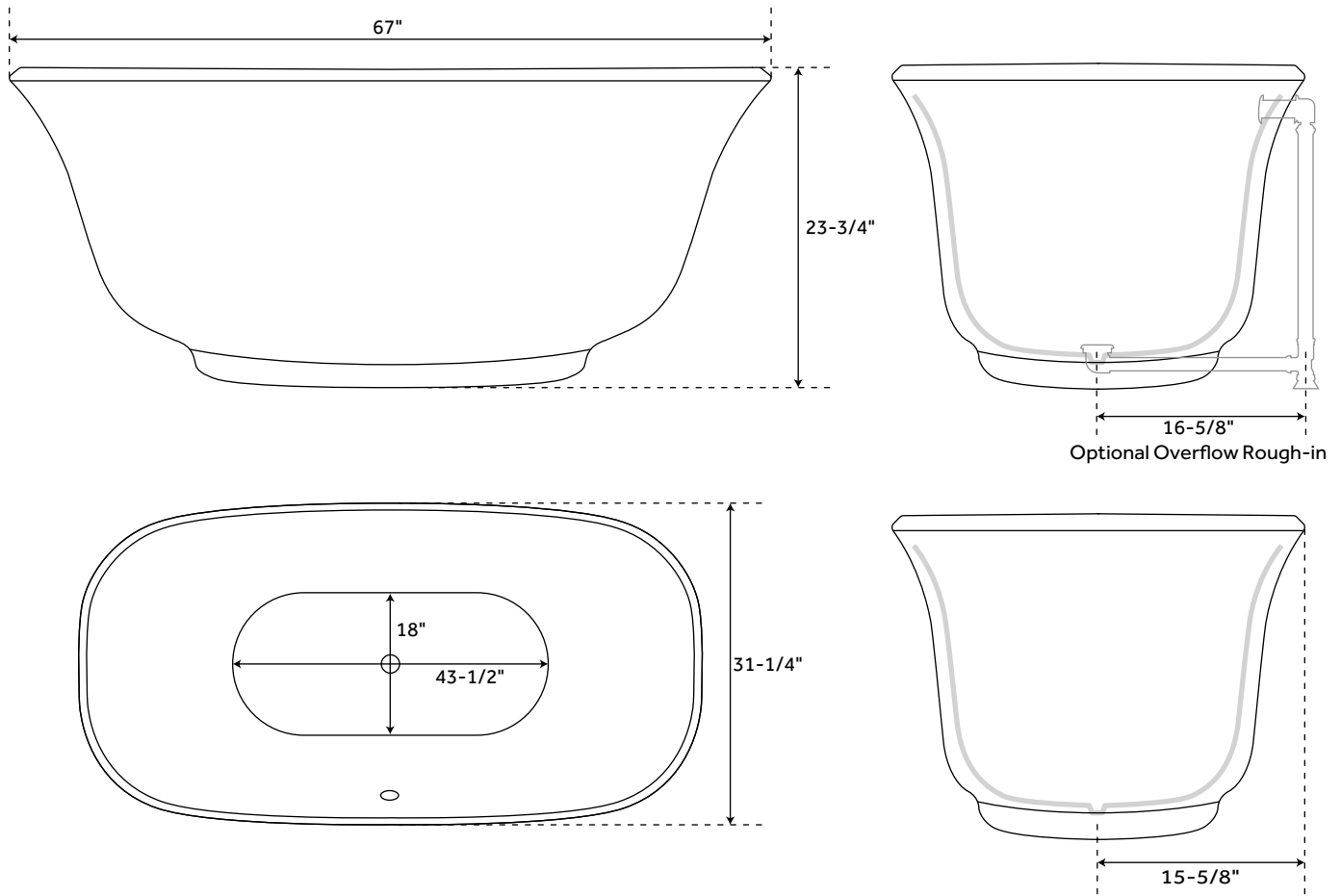
All dimensions and specifications are nominal and may vary. Use actual products for accuracy in critical situations.

Code: 456918

67" LINDSEY

ACRYLIC FREESTANDING TUB

SKU: 929420



FEATURES

Design: Modern
Product Finish: White
Overflow Hole: Optional
Shape: Oval
Material: Acrylic
Length: 67"
Width: 31-1/4"
Height: 23-3/4"
Tap Deck: No
Drain Included: Optional
Drain Placement: Center
Faucet Included: No
Faucet Drillings: No Drillings
Built-In Adjusters: Yes
Water Capacity Without/With Overflow
(Gallons): 63/54
Water Depth Without/With Overflow:
18-5/8"/15-7/8"
Tub Weight Uncrated (lbs): 100
Tub Weight Crated (lbs.): 210

CODES/STANDARDS

cUPC
CSA B45.5/IAPMO Z124



PRODUCT IMAGE



All dimensions and specifications are nominal and may vary. Use actual products for accuracy in critical situations.

PAGE 3
Code: 456917