

PAGOSA

WATERFALL THERMOSTATIC TUB AND SHOWER SET - BRUSHED NICKEL

SKU: 928216



FEATURES

Thermostatic technology keeps shower temperature ± 1 degree Celsius.

CONTENTS

SHOWER HEAD	PAGE 2
TUB SPOUT	PAGE 2
VALVE	PAGE 3

CODES/STANDARDS

cUPC
ASME A112.18.1/CSA B125.1
ASSE 1016 Type T



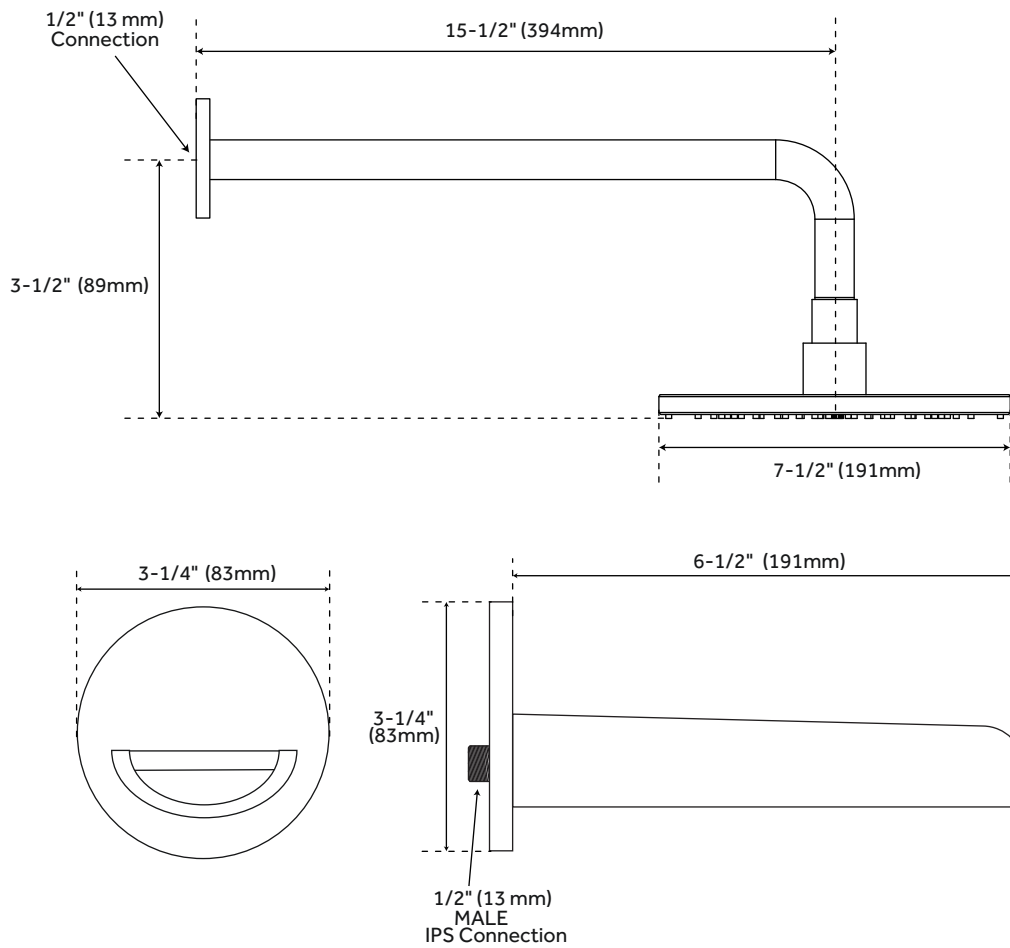
REVISED 01/04/2021

Code: 518620

PAGOSA

WATERFALL THERMOSTATIC TUB AND SHOWER SET - BRUSHED NICKEL

SKU: 928216



FEATURES

- Material: Brass
- Shape: Round
- Handle Type: Knob
- Features: Thermostatic, Tub Spout Included, Waterfall
- Assembly Required: Yes
- Installation Type: Wall Mount
- Shower Head Installation Type: Wall
- Shower Head Diameter: 7-1/2"
- Shower Arm Included: Yes
- Shower Arm Extension: 15-1/2"
- Shower Head Swivel: Yes
- Tub Filler Spout Reach: 6-1/2"
- Valve Trim Diameter: 7-3/8"
- Diverter Included: Yes
- Tub Spout Flow Rate:
 - 5.1 Gpm (19.3 L/min) @ 80 Psi
- Shower Head Flow Rate:
 - 2.0 Gpm (7.6 L/min) @ 80 Psi

PRODUCT IMAGE



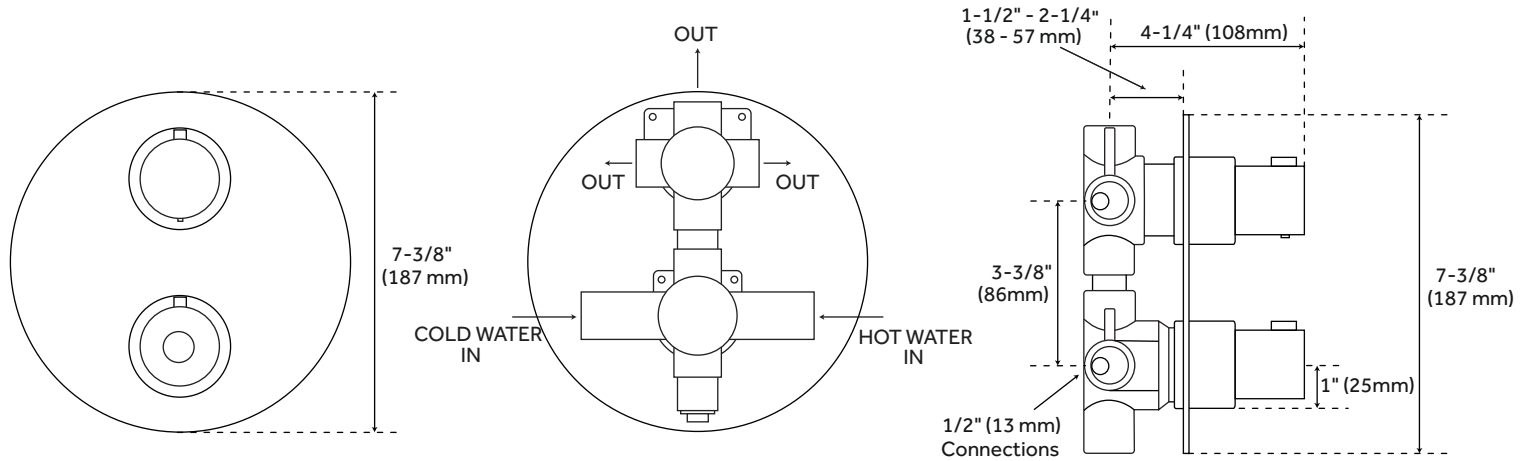
PAGE 2

All dimensions and specifications are nominal and may vary. Use actual products for accuracy in critical situations.

PAGOSA

WATERFALL THERMOSTATIC TUB AND SHOWER SET - BRUSHED NICKEL

SKU: 928216



FEATURES

- Valve Trim Diameter: 7-3/8"
- Diverter Included: Yes

PRODUCT IMAGE



PAGE 3

All dimensions and specifications are nominal and may vary. Use actual products for accuracy in critical situations.