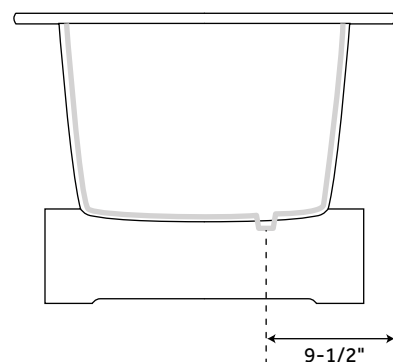
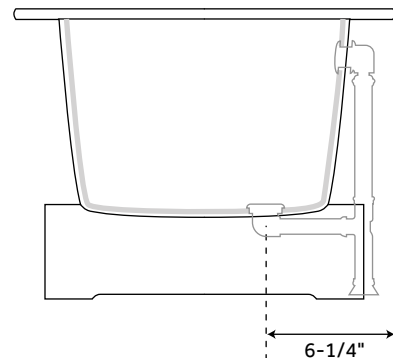
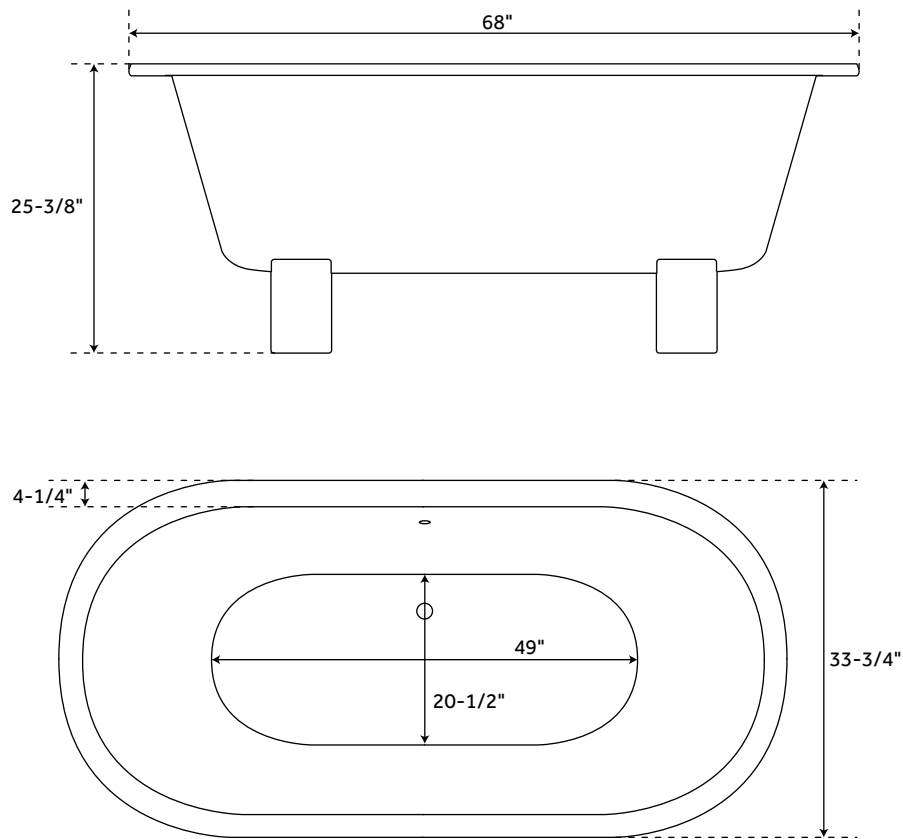


68" ERIKSON

CAST IRON DOUBLE-ENDED TUB ON WOOD CRADLES

SKU: 926371



FEATURES

Design: Modern
Product Finish: White
Overflow Hole: Yes
Shape: Oval
Material: Cast Iron
Length: 68"
Width: 33-3/4"
Height: 25-3/8"
Tub Interior Length: 49"
Tub Interior Width: 20-1/2"
Water Depth to Rim: 19"
Water Depth To Overflow: 14-1/2"
Exterior Treatment: Smooth
Interior Treatment: White Porcelain Enamel
Tap Deck: No
Drain Placement: Offset
Water Capacity (Gallons): 62
Built-In Adjusters: Yes
Tub Weight Uncrated (lbs): 434
Tub Weight Crated (lbs): 544

SIGNATURE HARDWARE LIFETIME WARRANTY

See website for warranty information



All measurements are approximate. Measurements may vary +/- 1/2".

REVISED 07/28/2020