

# BOYCE

## ACRYLIC FREESTANDING TUB

SKU: 925340



### CONTENTS

56" TUB	.....	PAGE 2
61" TUB	.....	PAGE 3
65" TUB	.....	PAGE 4
70" TUB	.....	PAGE 5
AIR TUB	.....	PAGE 6
56" AIR TUB	.....	PAGE 7
61" AIR TUB	.....	PAGE 8
65" AIR TUB	.....	PAGE 9
70" AIR TUB	.....	PAGE 10

### FEATURES

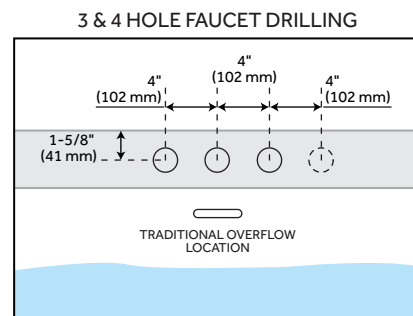
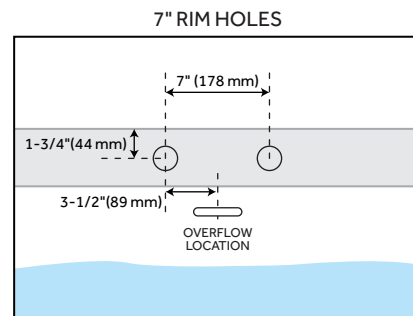
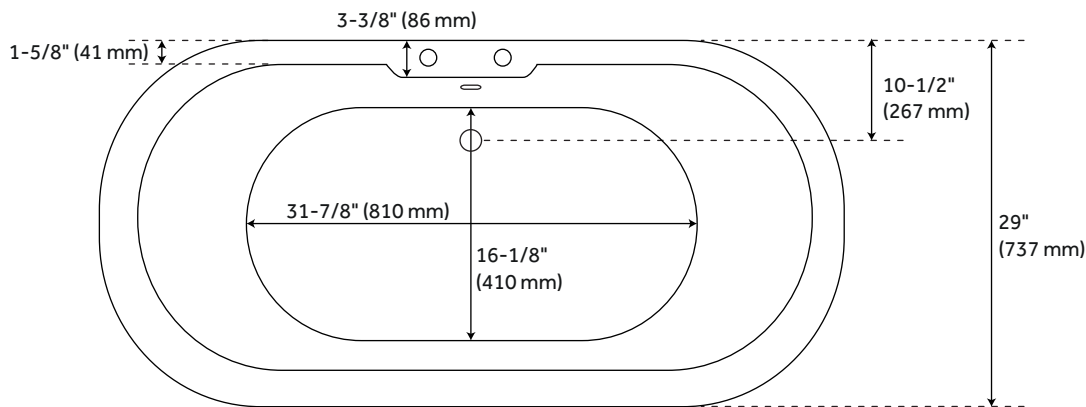
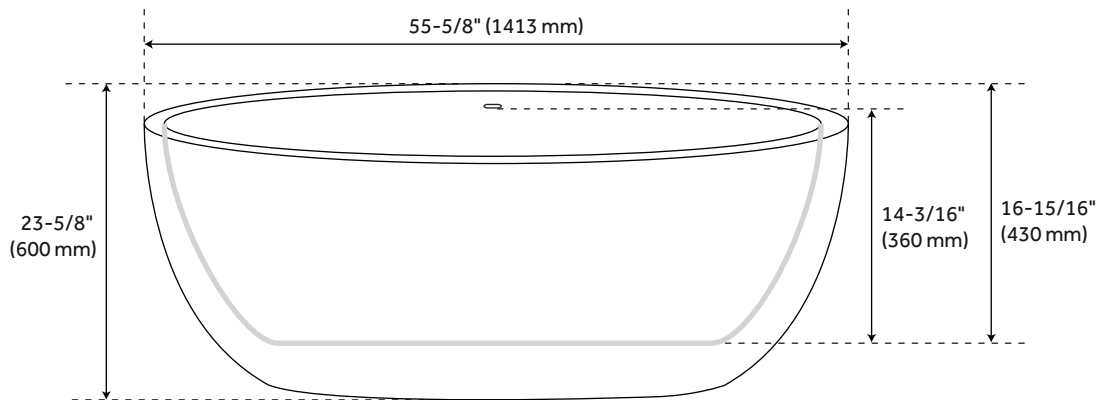
- Design: Modern
- Product Finish: White
- Features: Integral Drain & Overflow
- Overflow Hole: Yes
- Integral Drain & Overflow : Yes
- Shape: Oval
- Material: Acrylic
- Tap Deck: Yes
- Drain Included: Yes
- Drain Placement: Offset
- Faucet Included: No
- Faucet Drillings: No Drillings
- Built-in Adjusters: Yes
- Trim Kit Includes: Pop-Up Drain with Matching Drain Cover and Overflow Plate in your Choice of Color
- Formed of Two Acrylic Sheets, the Air Between Acting as Thermal Insulator
- Air Tub Option: Features 12 Air Jets That Massage and Relax. Remote Control Works Within 15-foot Radius and is Designed to Float. Tub and Air System Come Fully Assembled
- Insulation Option: Increases Heat Retention and Prevents Condensation Due to Water and Air Temperature Fluctuations
- Back of tub has a removable magnetic panel for easy access when installing deck-mount faucet

REVISED 06/03/2021

# 56" BOYCE

## ACRYLIC FREESTANDING TUB

SKU: 925340



### FEATURES

- Length: 55-5/8"
- Width: 29"
- Height: 23-5/8"
- Tub Interior Length: 31-7/8"
- Tub Interior Width: 16-1/8"
- Water Depth To Overflow: 14-3/16"
- Water Depth To Rim: 16-15/16"
- Water Capacity (Gallons) With Overflow: 54
- Water Capacity (Gallons) Without Overflow: 62
- Weight uncrated (Lbs): 95
- Weight crated: (Lbs): 185

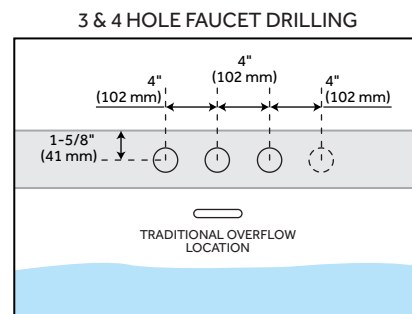
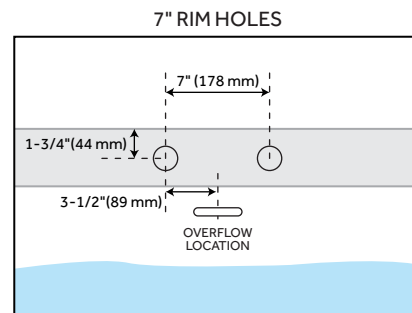
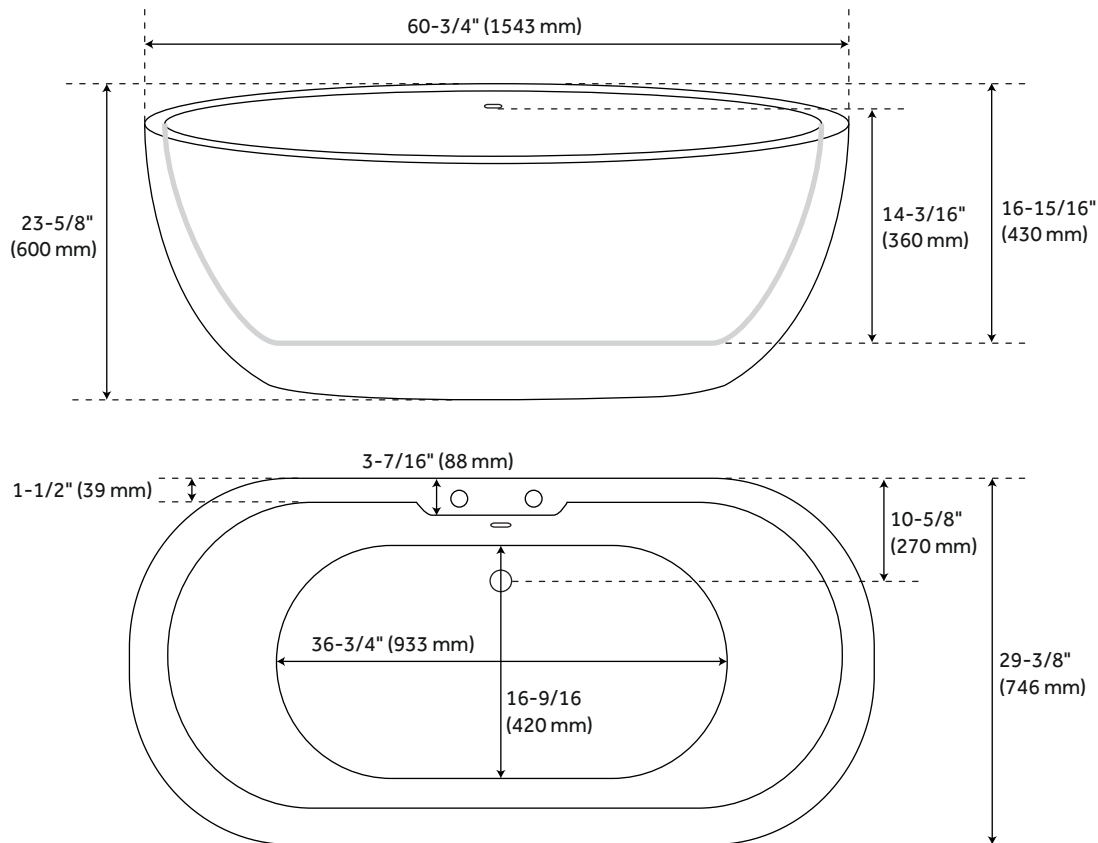
### PRODUCT IMAGE



# 61" BOYCE

## ACRYLIC FREESTANDING TUB

SKU: 925340



### FEATURES

- Length: 60-3/4"
- Width: 29-3/8"
- Height: 23-5/8"
- Tub Interior Length: 36-3/4"
- Tub Interior Width: 16-9/16"
- Water Depth To Overflow: 14-3/16"
- Water Depth To Rim: 16-15/16"
- Water Capacity (Gallons) With Overflow: 62
- Water Capacity (Gallons) Without Overflow: 70
- Tub Weight Uncrated (lbs): 93
- Tub Weight Crated (lbs): 183

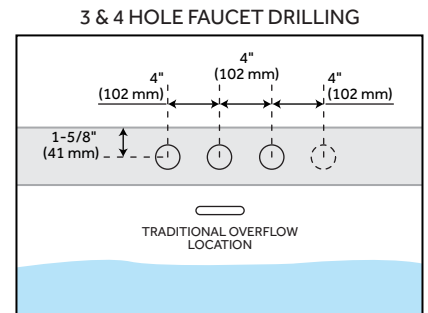
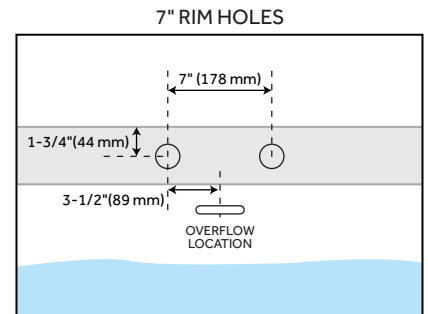
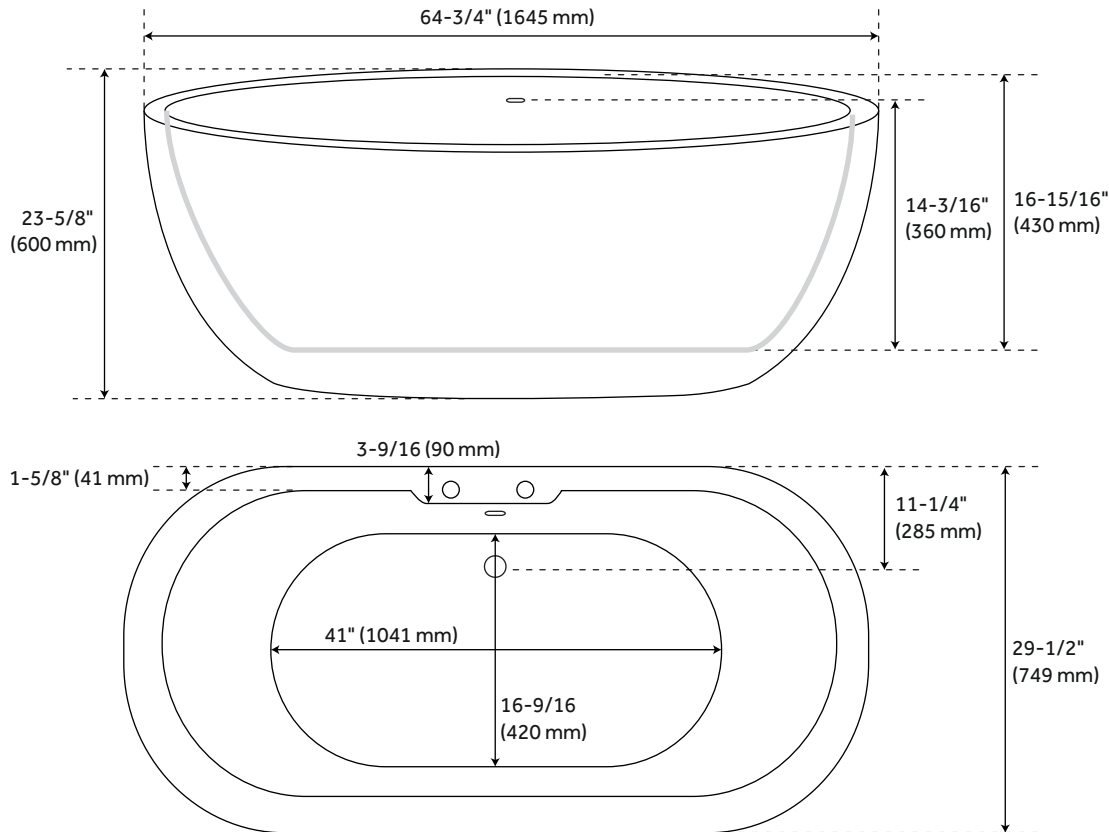
### PRODUCT IMAGE



# 65" BOYCE

## ACRYLIC FREESTANDING TUB

SKU: 925340



### FEATURES

- Length: 64-3/4"
- Width: 29-1/2"
- Height: 23-5/8"
- Tub Interior Length: 41"
- Tub Interior Width: 16-9/16
- Water Depth To Overflow: 14-3/16"
- Water Depth To Rim: 16-15/16"
- Water Capacity (Gallons) With Overflow: 66
- Water Capacity (Gallons) Without Overflow: 74
- Tub Weight Uncrated (lbs): 102
- Tub Weight Crated (lbs): 192

### PRODUCT IMAGE



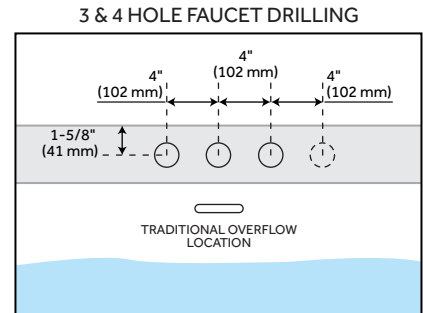
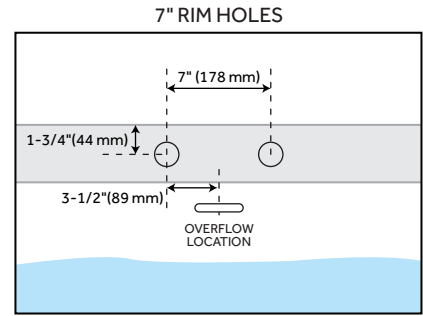
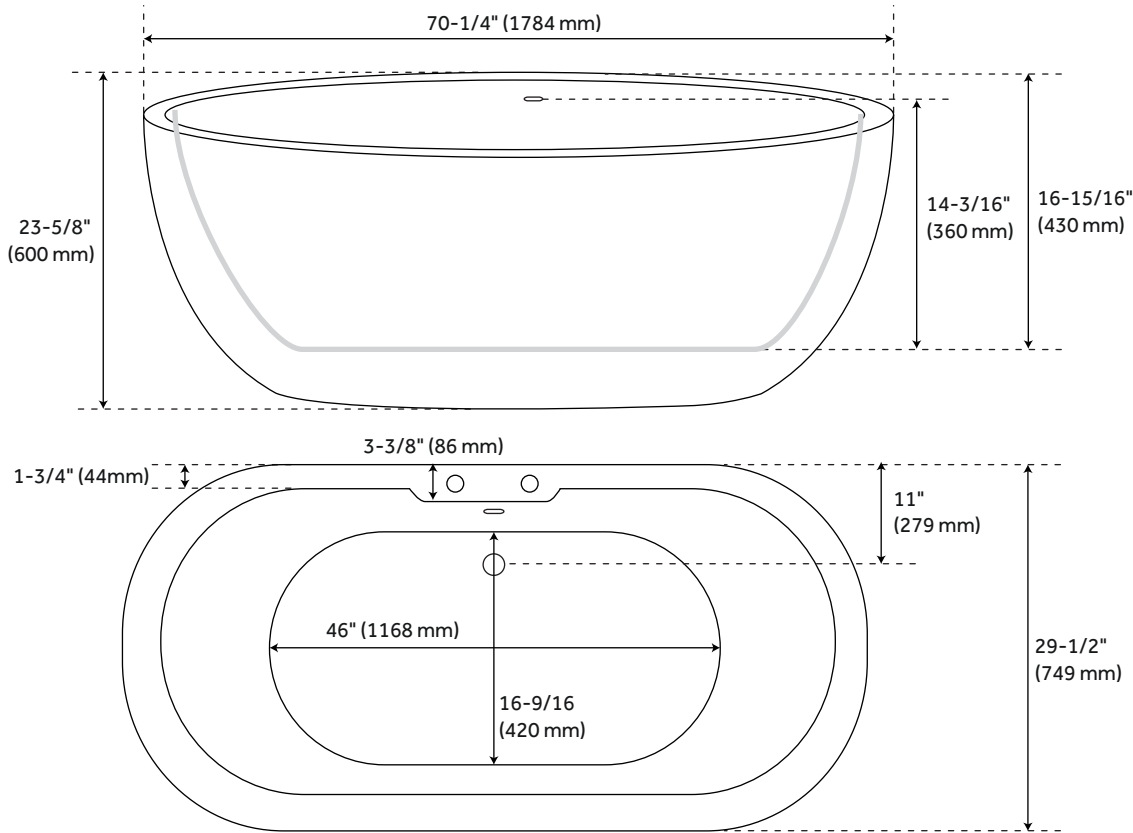
All dimensions and specifications are nominal and may vary. Use actual products for accuracy in critical situations.

PAGE 4

# 70" BOYCE

## ACRYLIC FREESTANDING TUB

SKU: 925340



### FEATURES

- Length: 70-1/4"
- Width: 29-1/2"
- Height: 23-5/8"
- Tub Interior Length: 46"
- Tub Interior Width: 16-9/16"
- Water Depth To Overflow: 14-3/16"
- Water Depth To Rim: 16-15/16"
- Water Capacity (Gallons) With Overflow: 74
- Water Capacity (Gallons) Without Overflow: 82
- Tub Weight Uncrated (lbs): 109
- Tub Weight Crated (lbs): 199

### PRODUCT IMAGE



# BOYCE AIR TUB

## ACRYLIC FREESTANDING TUB

SKU: 925340

### COMPONENTS LIST

- BM-TWP BALL CHECK VALVE JETS
- MANI-SD-A SECURITY DEVICE
- MAN-A-4-AC MANIFOLD
- SILVER SLS+ VARIABLE SPEED BLOWER

### INSTALLATION

Install blower behind a wall (with an access panel) or in a closet. Blower can also be installed under floor. Ensure the security device, MANI-DS-A, is at least:

- 2" Above the tub rim

Security device and hose can be mounted in wall

### REMOTE CONTROL

- CG+/RTC-SENSOR-WP
- 12 – 15 YEAR BATTERY LIFE

### INSIDE OF BATH

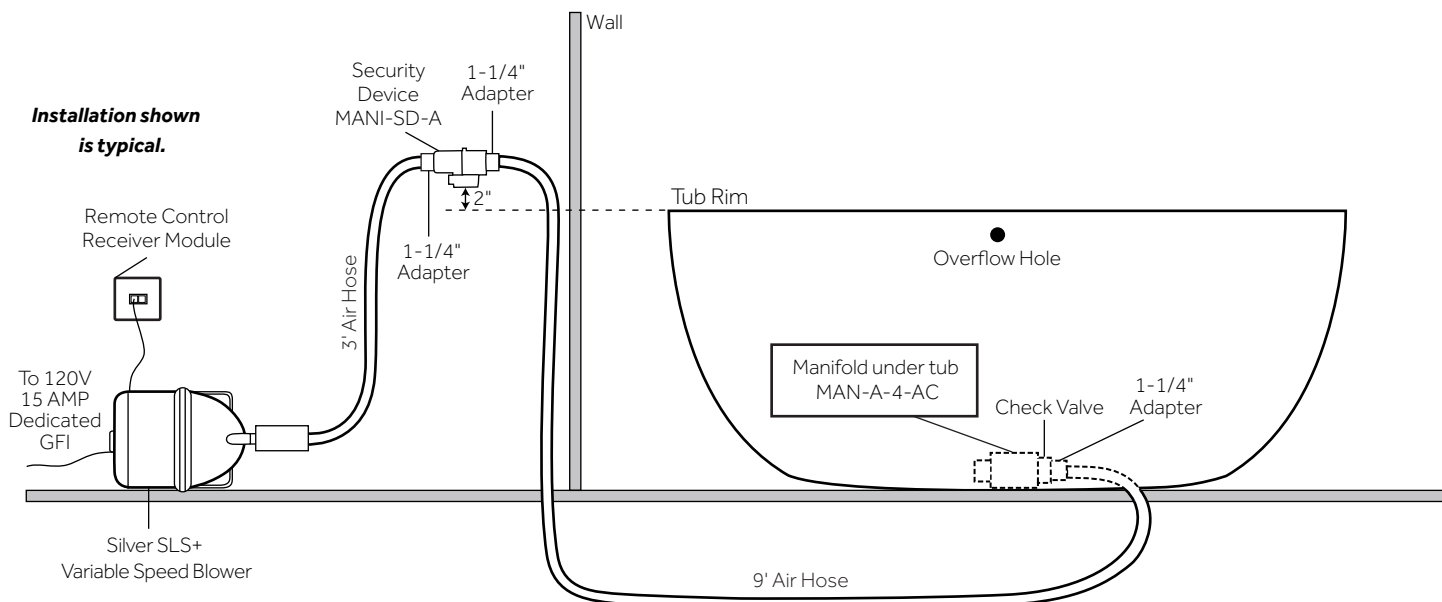
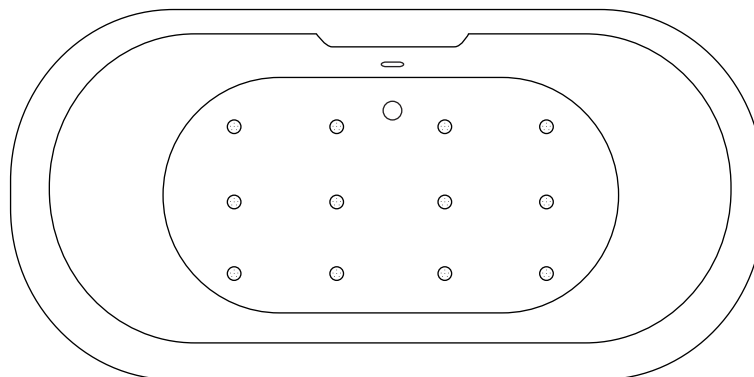
- (12) MAXI AIR JETS WITH 24 OPENINGS



ELBOWS FOR  
AIR JETS



TEES FOR  
AIR JETS



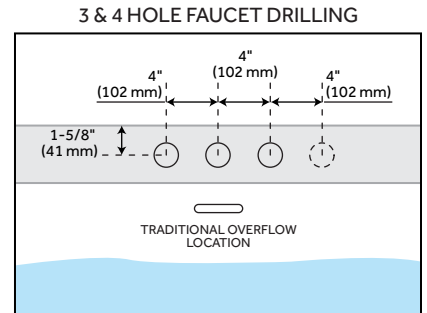
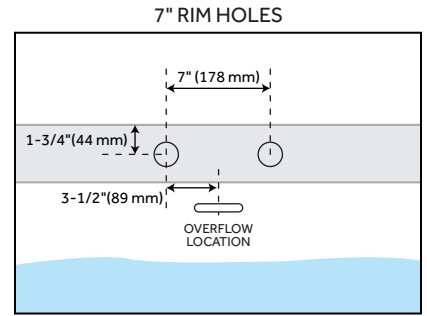
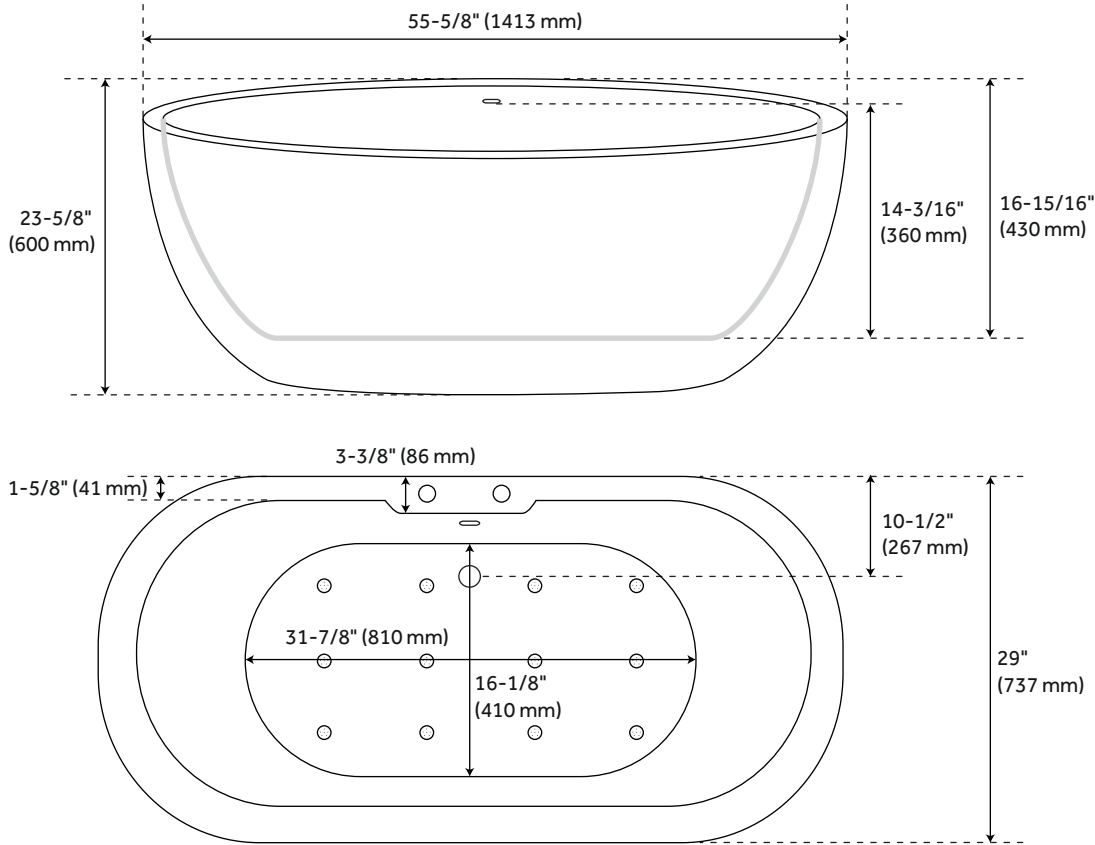
All dimensions and specifications are nominal and may vary. Use actual products for accuracy in critical situations.

PAGE 6

# 56" BOYCE AIR TUB

## ACRYLIC FREESTANDING TUB

SKU: 925340



### FEATURES

- Length: 55-5/8"
- Width: 29"
- Height: 23-5/8"
- Tub Interior Length: 31-7/8"
- Tub Interior Width: 16-1/8"
- Water Depth To Overflow: 14-3/16"
- Water Depth To Rim: 16-15/16"
- Water Capacity (Gallons) With Overflow: 54
- Water Capacity (Gallons) Without Overflow: 62
- Weight uncrated (Lbs): 147
- Weight crated: (Lbs): 237

### PRODUCT IMAGE



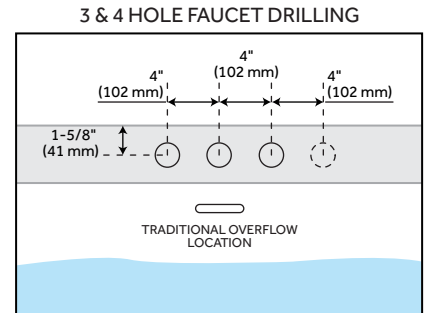
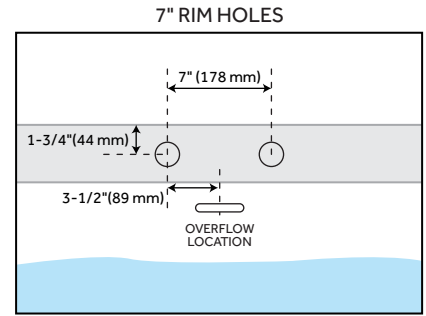
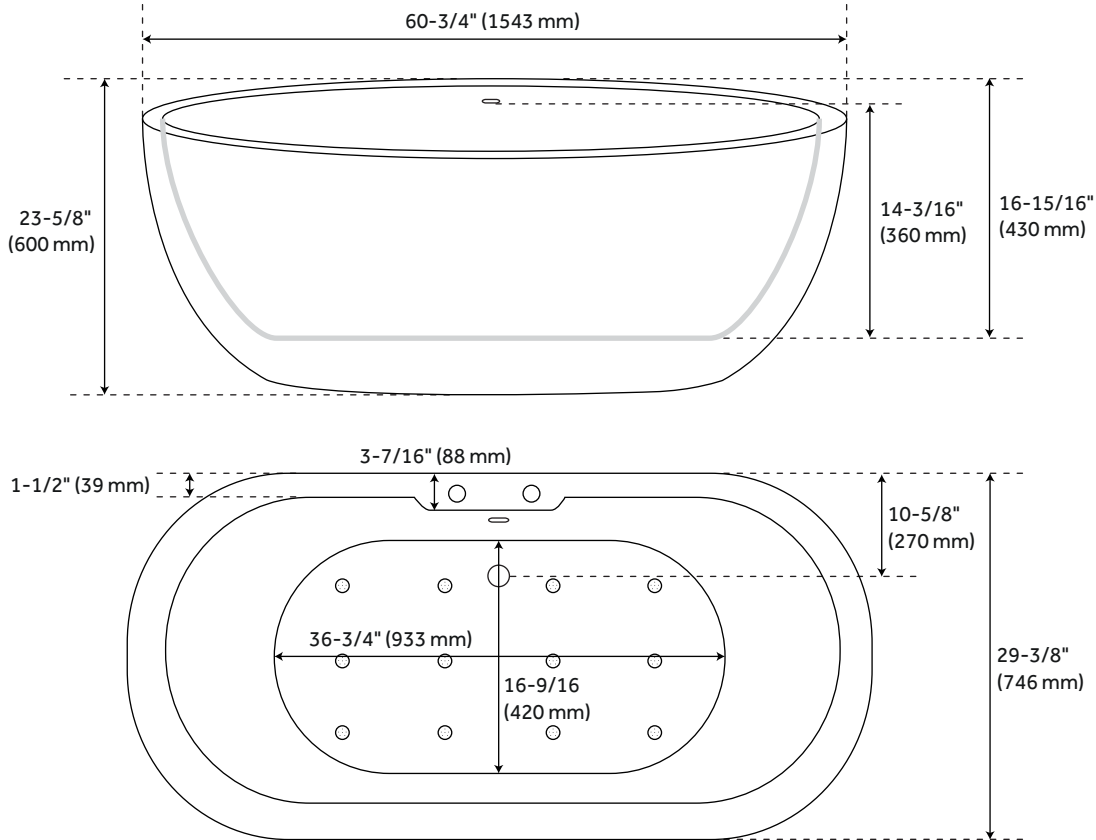
All dimensions and specifications are nominal and may vary. Use actual products for accuracy in critical situations.

PAGE 7

# 61" BOYCE AIR TUB

## ACRYLIC FREESTANDING TUB

SKU: 925340



### FEATURES

- Length: 60-3/4"
- Width: 29-3/8"
- Height: 23-5/8"
- Tub Interior Length: 36-3/4"
- Tub Interior Width: 16-9/16"
- Water Depth To Overflow: 14-3/16"
- Water Depth To Rim: 16-15/16"
- Water Capacity (Gallons) With Overflow: 62
- Water Capacity (Gallons) Without Overflow: 70
- Tub Weight Uncrated (lbs): 155
- Tub Weight Crated (lbs): 245

### PRODUCT IMAGE



All dimensions and specifications are nominal and may vary. Use actual products for accuracy in critical situations.

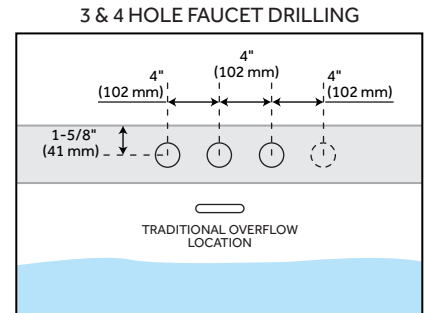
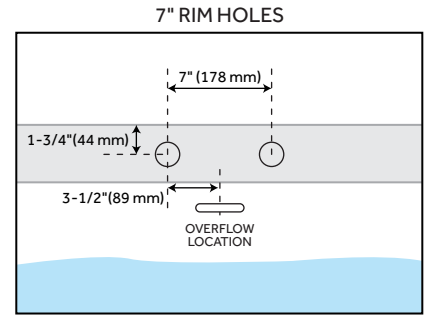
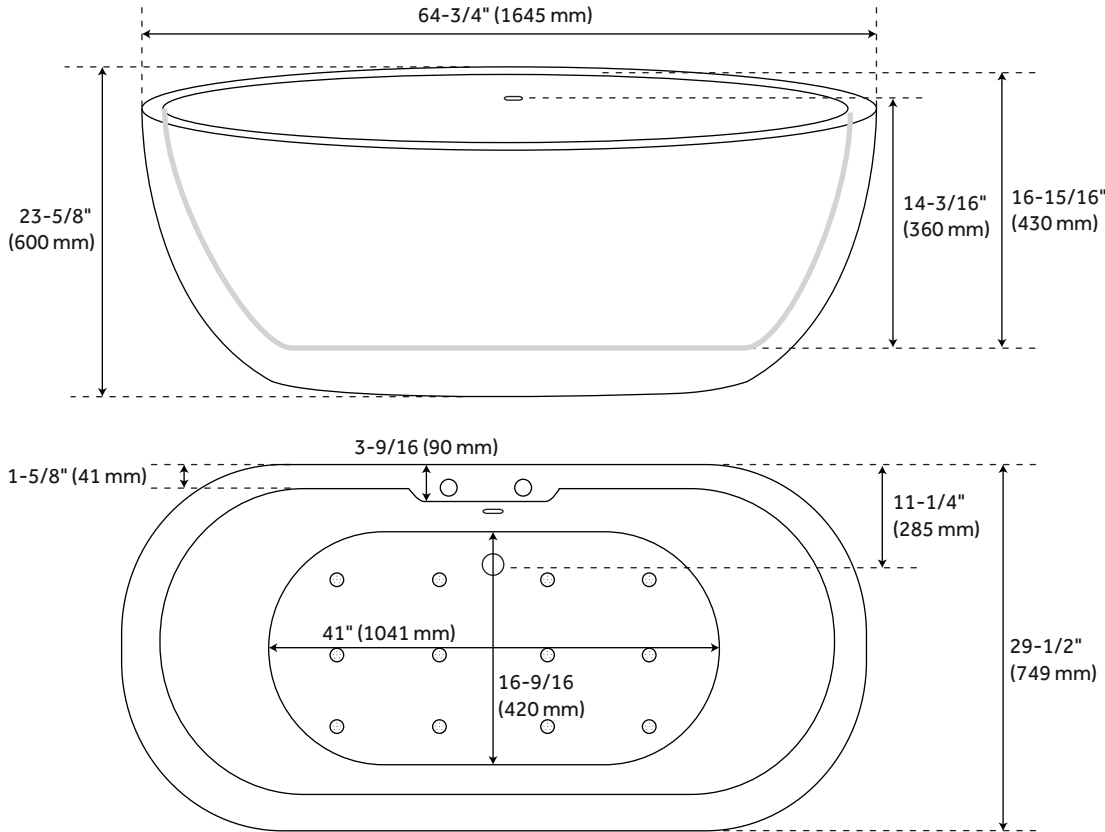
PAGE 8



# 65" BOYCE AIR TUB

## ACRYLIC FREESTANDING TUB

SKU: 925340



### FEATURES

- Length: 64-3/4"
- Width: 29-1/2"
- Height: 23-5/8"
- Tub Interior Length: 41"
- Tub Interior Width: 16-9/16"
- Water Depth To Overflow: 14-3/16"
- Water Depth To Rim: 16-15/16"
- Water Capacity (Gallons) With Overflow: 66
- Water Capacity (Gallons) Without Overflow: 74
- Tub Weight Uncrated (lbs): 142
- Tub Weight Crated (lbs): 232

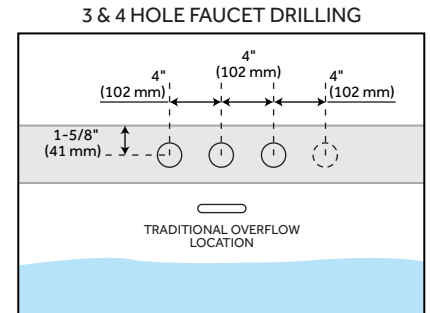
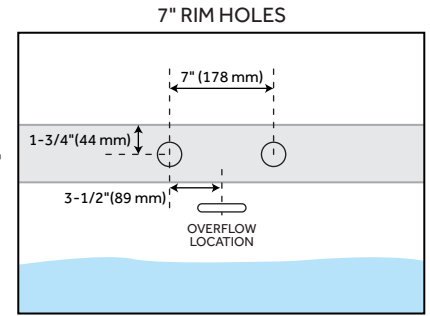
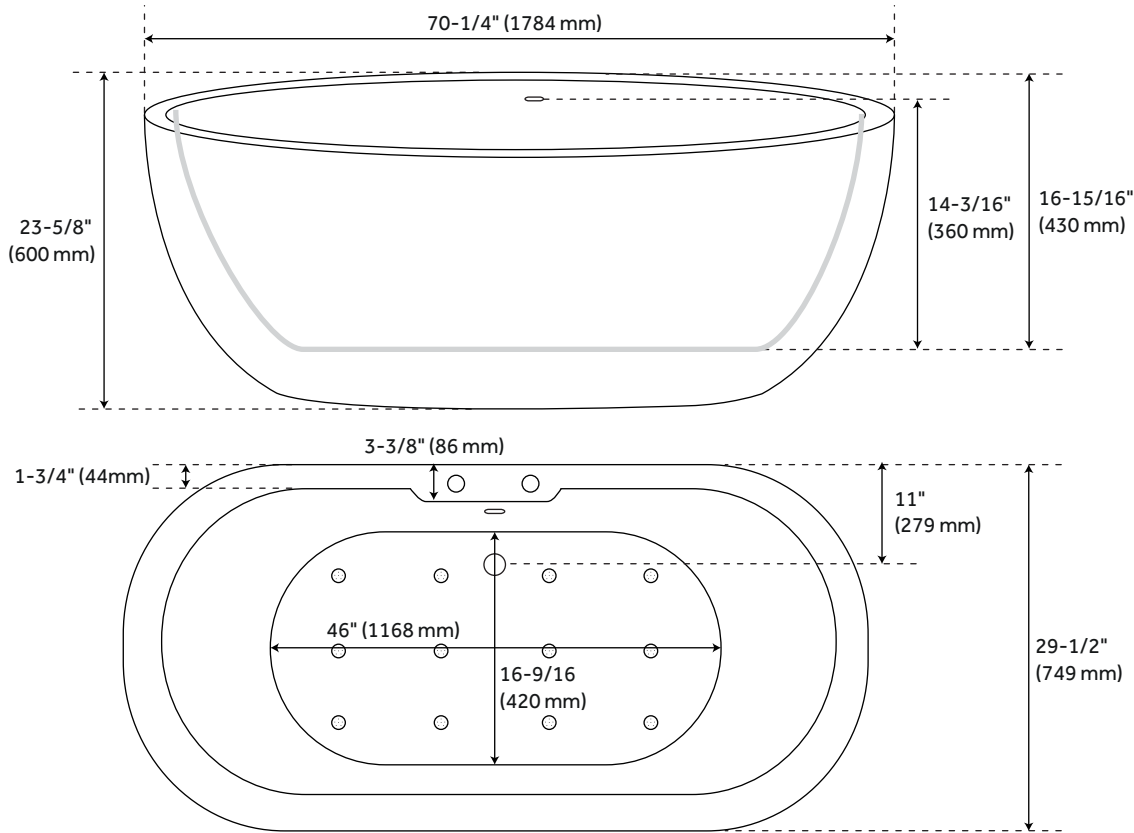
### PRODUCT IMAGE



# 70" BOYCE AIR TUB

## ACRYLIC FREESTANDING TUB

SKU: 925340



### FEATURES

- Length: 70-1/4"
- Width: 29-1/2"
- Height: 23-5/8"
- Tub Interior Length: 46"
- Tub Interior Width: 16-9/16"
- Water Depth To Overflow: 14-3/16"
- Water Depth To Rim: 16-15/16"
- Water Capacity (Gallons) With Overflow: 74
- Water Capacity (Gallons) Without Overflow: 82
- Tub Weight Uncrated (lbs): 149
- Tub Weight Crated (lbs): 239

### PRODUCT IMAGE

