

71" RAYE

ANTIQUÉ BLACK HAMMERED COPPER DOUBLE-SLIPPER PEDESTAL TUB

SKU: 921690



FEATURES

Product Finish: Antique Black
Overflow Hole: Optional
Shape: Oval
Length: 71"
Width: 33-3/4"
Height: 33"
Tub Interior Length: 51"
Tub Interior Width: 21-1/4"
Water Depth to Rim: 17"
Water Depth To Overflow: 14-1/4"
Exterior Treatment: Hammered
Interior Treatment: Hammered
Metal Gauge/Thickness: 16 Gauge
Tap Deck: No
Drain Included: Optional
Drain Placement: Center
Faucet Included: No
Faucet Drillings: No Drillings
Water Capacity (Gallons): 79
Tub Weight Uncrated (lbs): 111
Tub Weight Crated (lbs): 221

SIGNATURE HARDWARE Lifetime Warranty

See website for detailed warranty information.

CONTENTS

AIR TUB	PAGE 2
71" TUB	PAGE 3

REVISED 10/07/2019

71" RAYE AIR TUB

COMPONENTS LIST

- BM-TWP BALL CHECK VALVE JETS
- MANI-SD-A SECURITY DEVICE
- MAN-A-4-AC MANIFOLD
- SILVER SLS+ VARIABLE SPEED BLOWER

INSTALLATION

Install blower behind a wall (with an access panel) or in a closet. Blower can also be installed under floor. Ensure the security device, MANI-DS-A, is at least:

- 2" Above the tub rim

Security device and hose can be mounted in wall

REMOTE CONTROL

- CG+/RTC-SENSOR-WP
- 12 – 15 YEAR BATTERY LIFE

INSIDE OF BATH

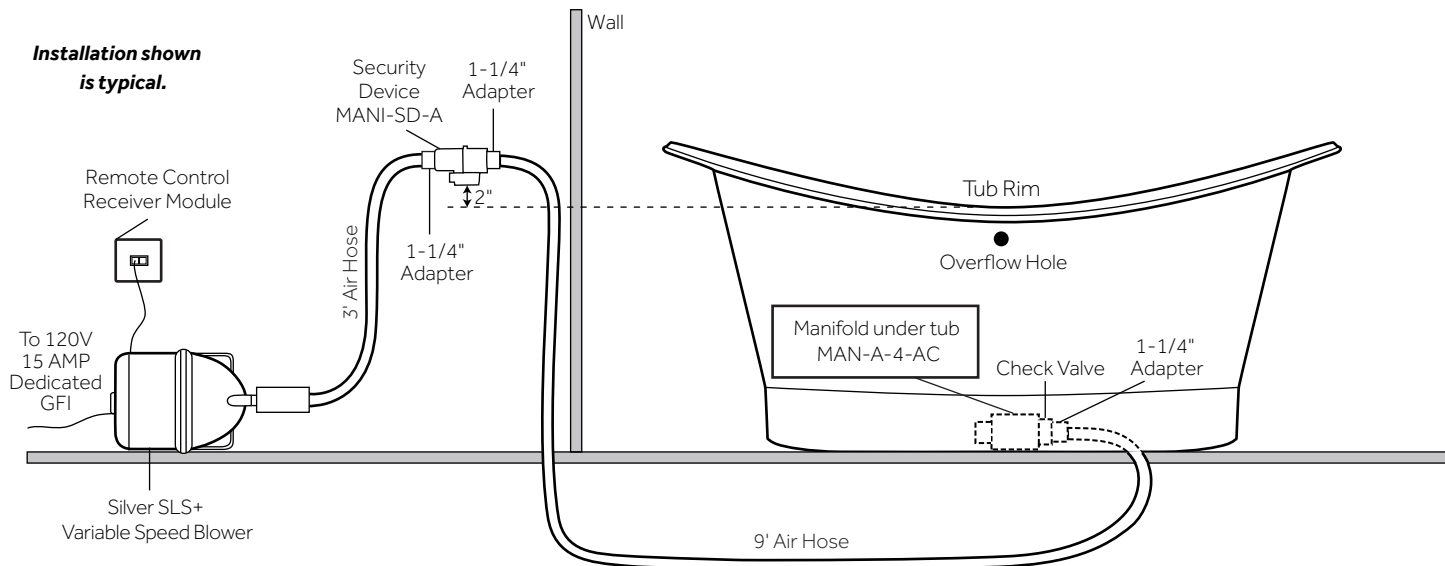
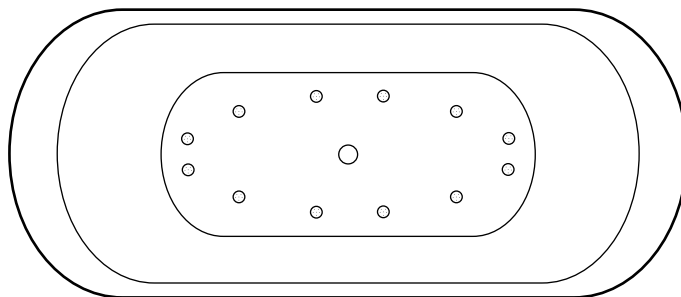
- (12) MAXI AIR JETS WITH 24 OPENINGS



ELBOWS FOR AIR JETS



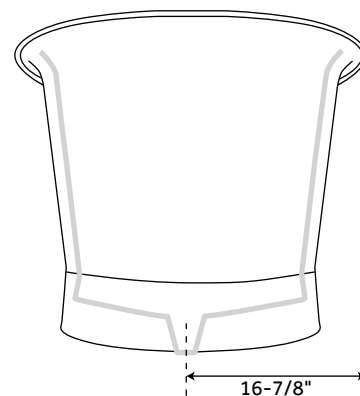
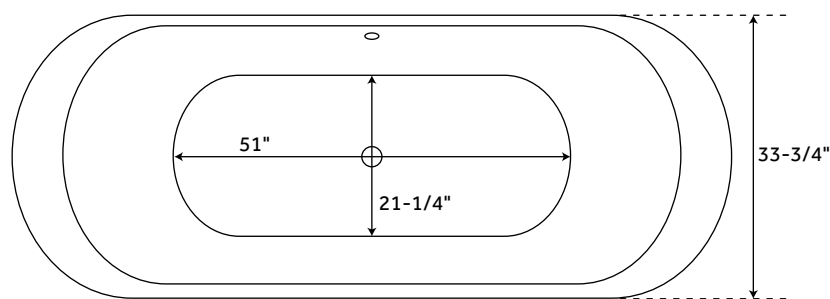
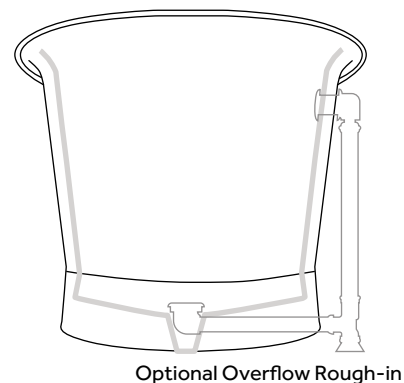
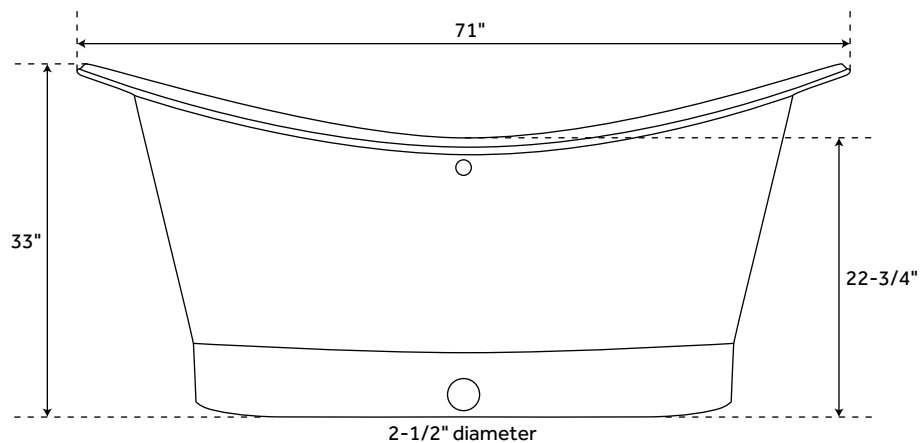
TEES FOR AIR JETS



71" RAYE

ANTIQUE BLACK HAMMERED COPPER DOUBLE-SLIPPER PEDESTAL TUB

SKU: 921690



FEATURES

- Product Finish: Antique Black
- Overflow Hole: Optional
- Shape: Oval
- Length: 71"
- Width: 33-3/4"
- Height: 33"
- Tub Interior Length: 51"
- Tub Interior Width: 21-1/4"
- Water Depth to Rim: 17"
- Water Depth To Overflow: 14-1/4"
- Exterior Treatment: Hammered
- Interior Treatment: Hammered
- Metal Gauge/Thickness: 16 Gauge
- Tap Deck: No
- Drain Included: Optional
- Drain Placement: Center
- Faucet Included: No
- Faucet Drillings: No Drillings
- Water Capacity (Gallons): 79
- Tub Weight Uncrated (lbs): 111
- Tub Weight Crated (lbs): 221

SIGNATURE HARDWARE LIFETIME WARRANTY

See website for warranty information



All dimensions and specifications are nominal and may vary. Use actual products for accuracy in critical situations.

PAGE 3