

# IMLER

## ACRYLIC FREESTANDING TUB

SKU: 920841



### FEATURES

- Design: Modern
- Product Finish: White
- Features: Integral Drain & Overflow
- Overflow Hole: Yes
- Integral Drain & Overflow : Yes
- Shape: Oval
- Material: Acrylic
- Tap Deck: No
- Drain Included: Yes
- Drain Placement: Center
- Faucet Included: No
- Faucet Drillings: No Drillings
- Built-in Adjusters: Yes
- Trim Kit Includes: Pop-Up Drain with Matching Drain  
Cover and Overflow Plate in your Choice of Color
- Formed of Two Acrylic Sheets, the Air Between Acting  
as Thermal Insulator
- Insulation Option: Increases Heat Retention and  
Prevents Condensation Due to Water and Air  
Temperature Fluctuations

### CONTENTS

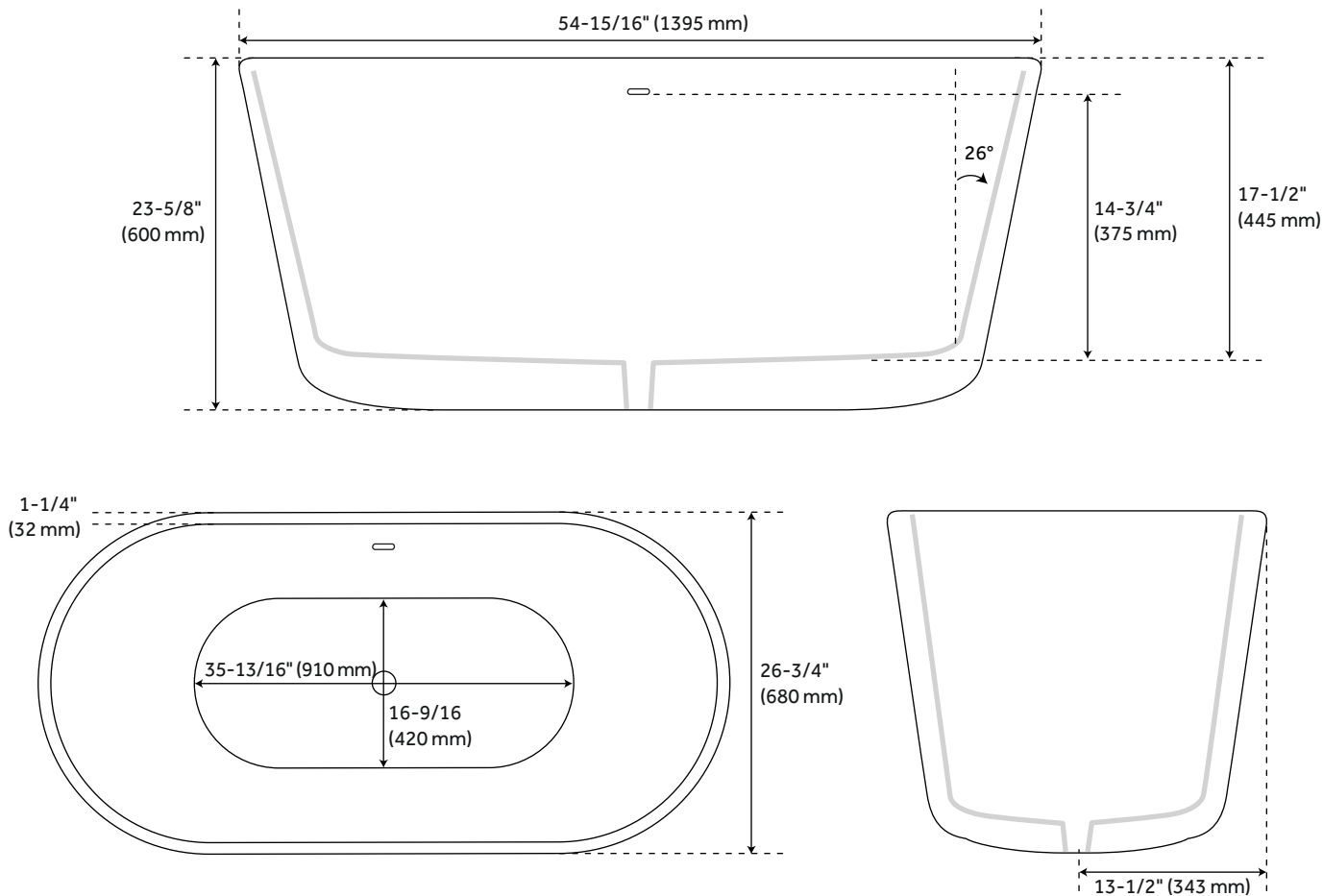
- 55" TUB ..... PAGE 2
- 63" TUB ..... PAGE 2

REVISED 03/03/2021

# 55" IMLER

## ACRYLIC FREESTANDING TUB

SKU: 920841



### FEATURES

- Length: 54-15/16"
- Width: 26-3/4"
- Height: 23-5/8"
- Tub Interior Length: 35-13/16"
- Tub Interior Width: 16-9/16"
- Water Depth To Overflow: 14-3/4"
- Water Depth to Rim: 17-1/2"
- Water Capacity (Gallons) With Overflow: 54
- Water Capacity (Gallons) Without Overflow: 62
- Tub Weight Uncrated (lbs): 104 lbs.
- Tub Weight Crated (lbs): 194 lbs.

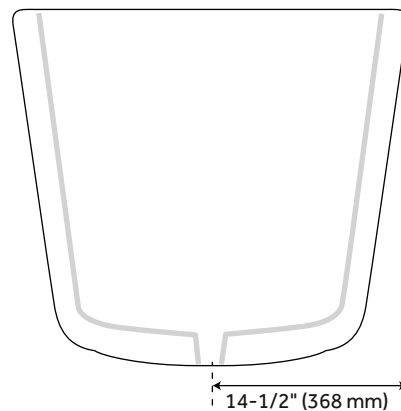
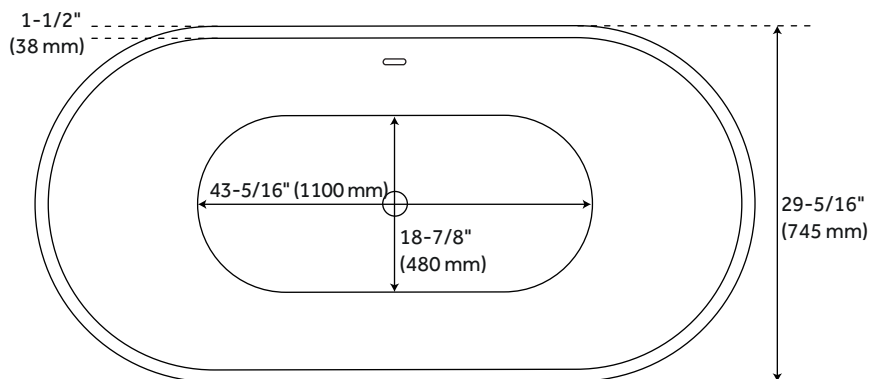
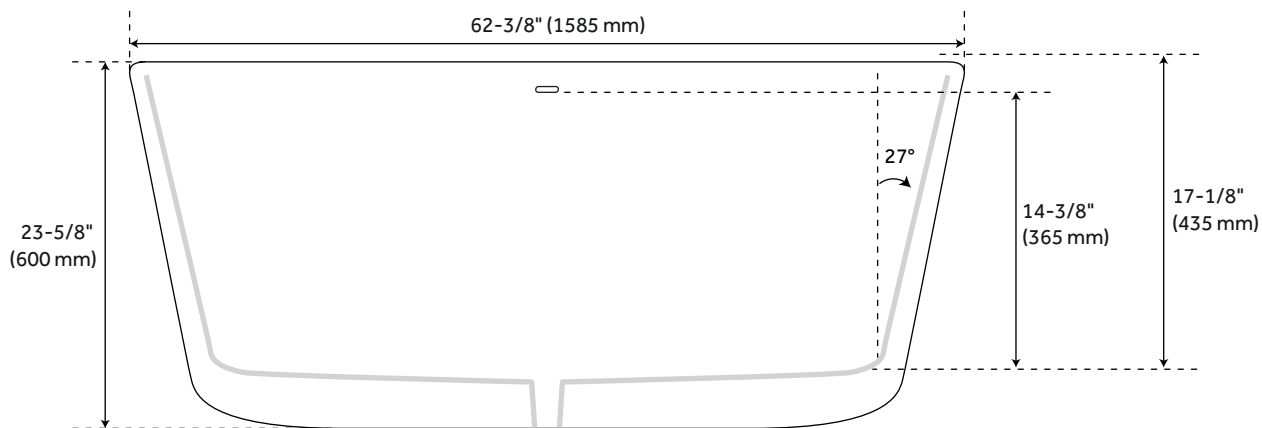
### PRODUCT IMAGE



# 63" IMLER

## ACRYLIC FREESTANDING TUB

SKU: 920841



### FEATURES

- Length: 62-3/8"
- Width: 29-5/16"
- Height: 23-5/8"
- Tub Interior Length: 43-5/16"
- Tub Interior Width: 18-7/8"
- Water Depth To Overflow: 14-3/8"
- Water Depth to Rim: 17-1/8"
- Water Capacity (Gallons) With Overflow: 66
- Water Capacity (Gallons) Without Overflow: 73
- Tub Weight Uncrated (lbs): 135
- Tub Weight Crated (lbs): 225

### PRODUCT IMAGE

