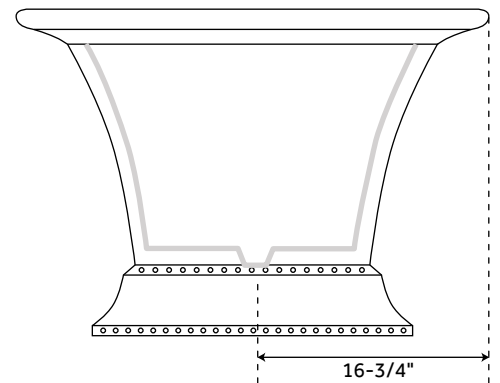
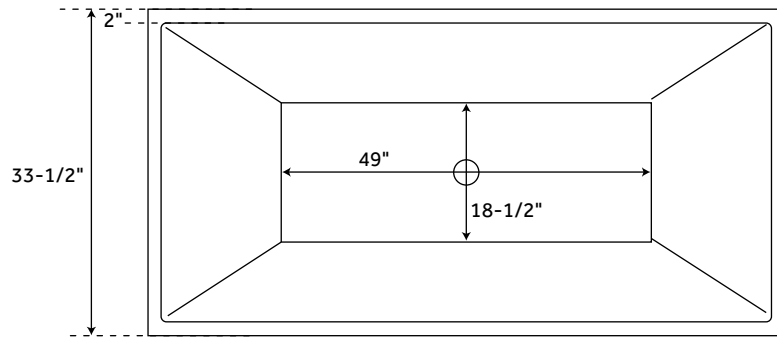
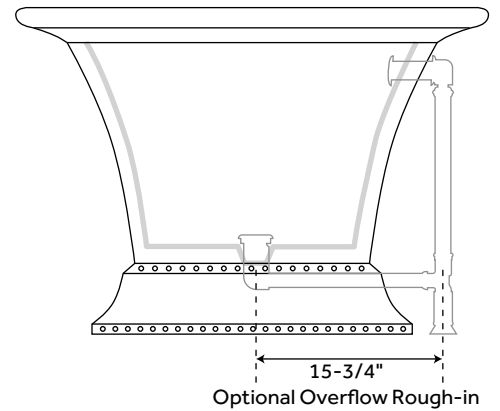
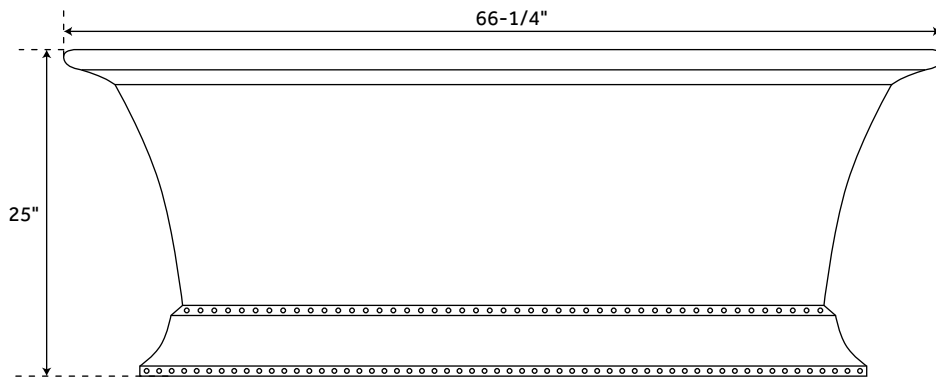


# 66" BURNETT

## HAMMERED COPPER PEDESTAL TUB

SKU: 919782



### FEATURES

Product Finish: Antique Copper Patina  
Features: Press & Seal Drain  
Overflow Hole: Optional  
Shape: Rectangle  
Length: 65-1/4"  
Width: 33-1/2"  
Height: 25"  
Tub Interior Length: 49"  
Tub Interior Width: 18-1/2"  
Water Depth to Rim: 20-1/4"  
Water Depth To Overflow: 17-1/2"  
Exterior Treatment: Hammered  
Interior Treatment: Hammered  
Metal Gauge/Thickness: 16 Gauge  
Tap Deck: No  
Drain Included: Optional  
Drain Placement: Center  
Faucet Included: No  
Faucet Drillings: No Drillings  
Tub Weight Uncrated (lbs): 155  
Tub Weight Crated (lbs): 265

### SIGNATURE HARDWARE LIFETIME WARRANTY

See website for warranty information



All measurements are approximate. Measurements may vary +/- 1/2".

REVISED 09/26/2018