

66" BURNETT

HAMMERED COPPER PEDESTAL TUB

SKU: 919782



FEATURES

Product Finish: Antique Copper Patina
Features: Press & Seal Drain
Overflow Hole: Optional
Shape: Rectangle
Length: 65-1/4"
Width: 33-1/2"
Height: 25"
Tub Interior Length: 49"
Tub Interior Width: 18-1/2"
Water Depth to Rim: 20-1/4"
Water Depth To Overflow: 17-1/2"
Exterior Treatment: Hammered
Interior Treatment: Hammered
Metal Gauge/Thickness: 16 Gauge
Tap Deck: No
Drain Included: Optional
Drain Placement: Center
Faucet Included: No
Faucet Drillings: No Drillings
Tub Weight Uncrated (lbs): 155
Tub Weight Crated (lbs): 265

SIGNATURE HARDWARE Lifetime Warranty

See website for detailed warranty information.

CONTENTS

AIR TUB	PAGE 2
66" TUB	PAGE 3

REVISED 10/07/2019

66" BURNETT AIR TUB

COMPONENTS LIST

- BM-TWP BALL CHECK VALVE JETS
- MANI-SD-A SECURITY DEVICE
- MAN-A-4-AC MANIFOLD
- SILVER SLS+ VARIABLE SPEED BLOWER

INSTALLATION

Install blower behind a wall (with an access panel) or in a closet. Blower can also be installed under floor. Ensure the security device, MANI-DS-A, is at least:

- 2" Above the tub rim

Security device and hose can be mounted in wall

REMOTE CONTROL

- CG+/RTC-SENSOR-WP
- 12 – 15 YEAR BATTERY LIFE

INSIDE OF BATH

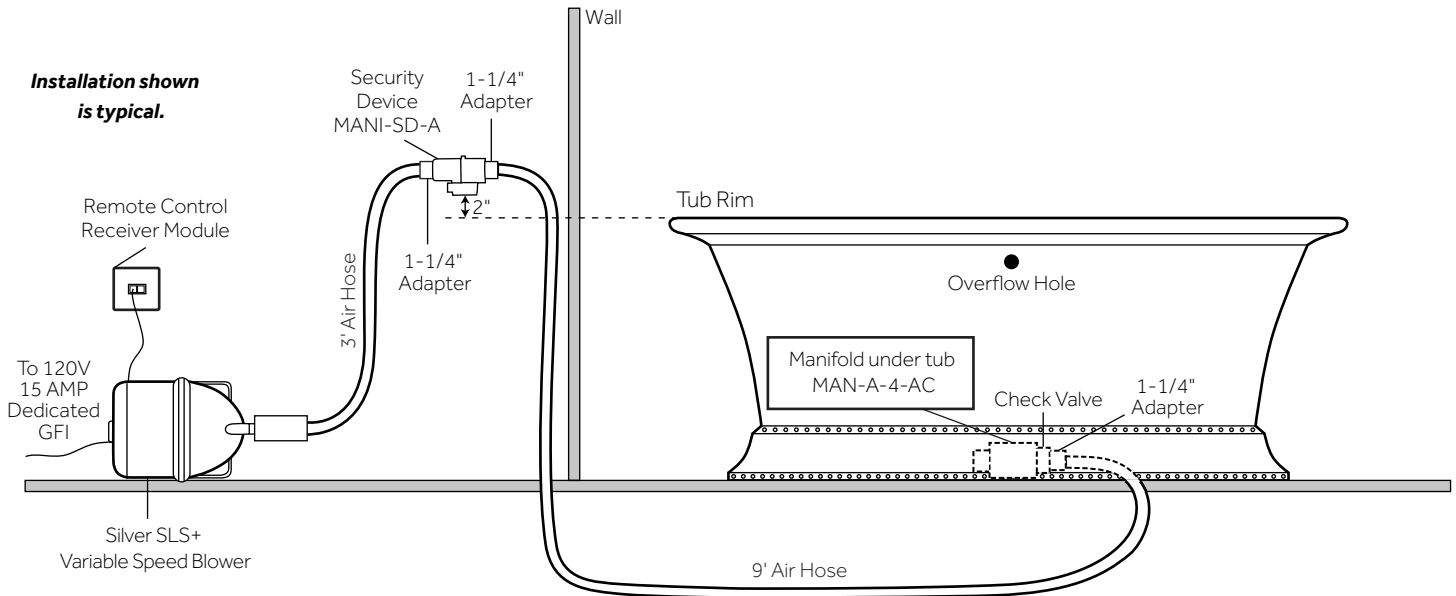
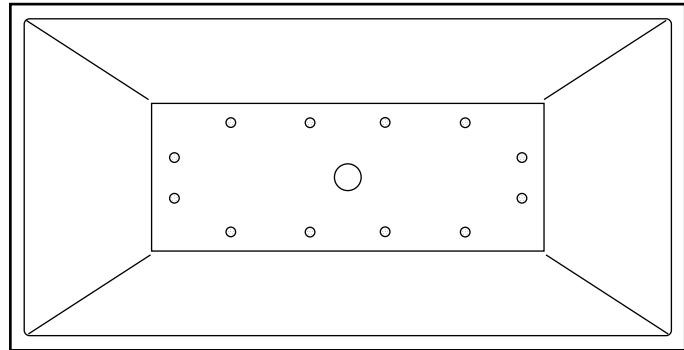
- (12) MAXI AIR JETS WITH 24 OPENINGS



ELBOWS FOR AIR JETS



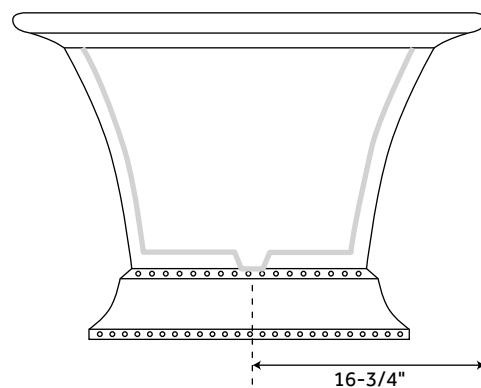
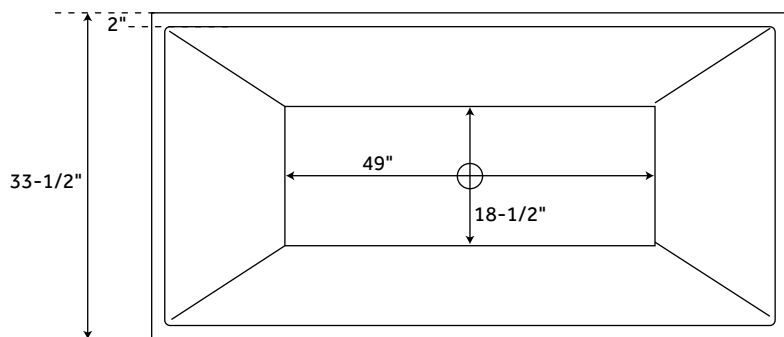
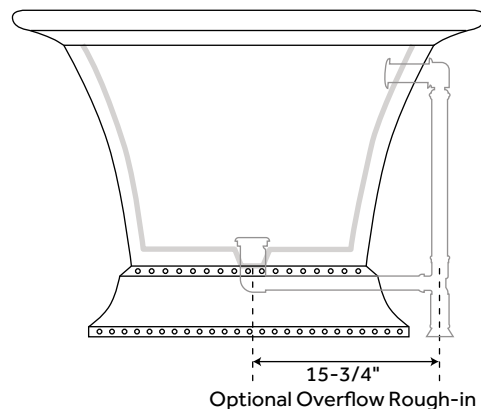
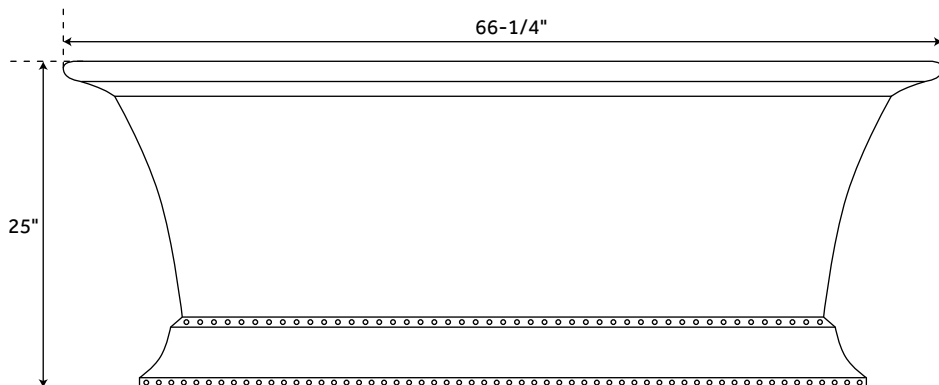
TEES FOR AIR JETS



66" BURNETT

HAMMERED COPPER PEDESTAL TUB

SKU: 919782



FEATURES

Product Finish: Antique Copper Patina
Features: Press & Seal Drain
Overflow Hole: Optional
Shape: Rectangle
Length: 65-1/4"
Width: 33-1/2"
Height: 25"
Tub Interior Length: 49"
Tub Interior Width: 18-1/2"
Water Depth to Rim: 20-1/4"
Water Depth To Overflow: 17-1/2"
Exterior Treatment: Hammered
Interior Treatment: Hammered
Metal Gauge/Thickness: 16 Gauge
Tap Deck: No
Drain Included: Optional
Drain Placement: Center
Faucet Included: No
Faucet Drillings: No Drillings
Tub Weight Uncrated (lbs): 155
Tub Weight Crated (lbs): 265

SIGNATURE HARDWARE LIFETIME WARRANTY

See website for warranty information



All dimensions and specifications are nominal and may vary. Use actual products for accuracy in critical situations.

PAGE 3