

NEW YORK

WIDESPREAD BATHROOM FAUCET - CROSS HANDLES

SKU: 918900



FEATURES

Installation Type: Widespread
Handle Type: Cross
Overflow Hole: Yes
Design: Modern
Faucet Material: Brass
Ceramic Disc Cartridges: Yes
Hot and Cold Indicators: Yes
Drain Included: Yes
Maximum Flow Rate: 1.2 gpm (4.5 L/min)
@ 60 psi

CONTENTS

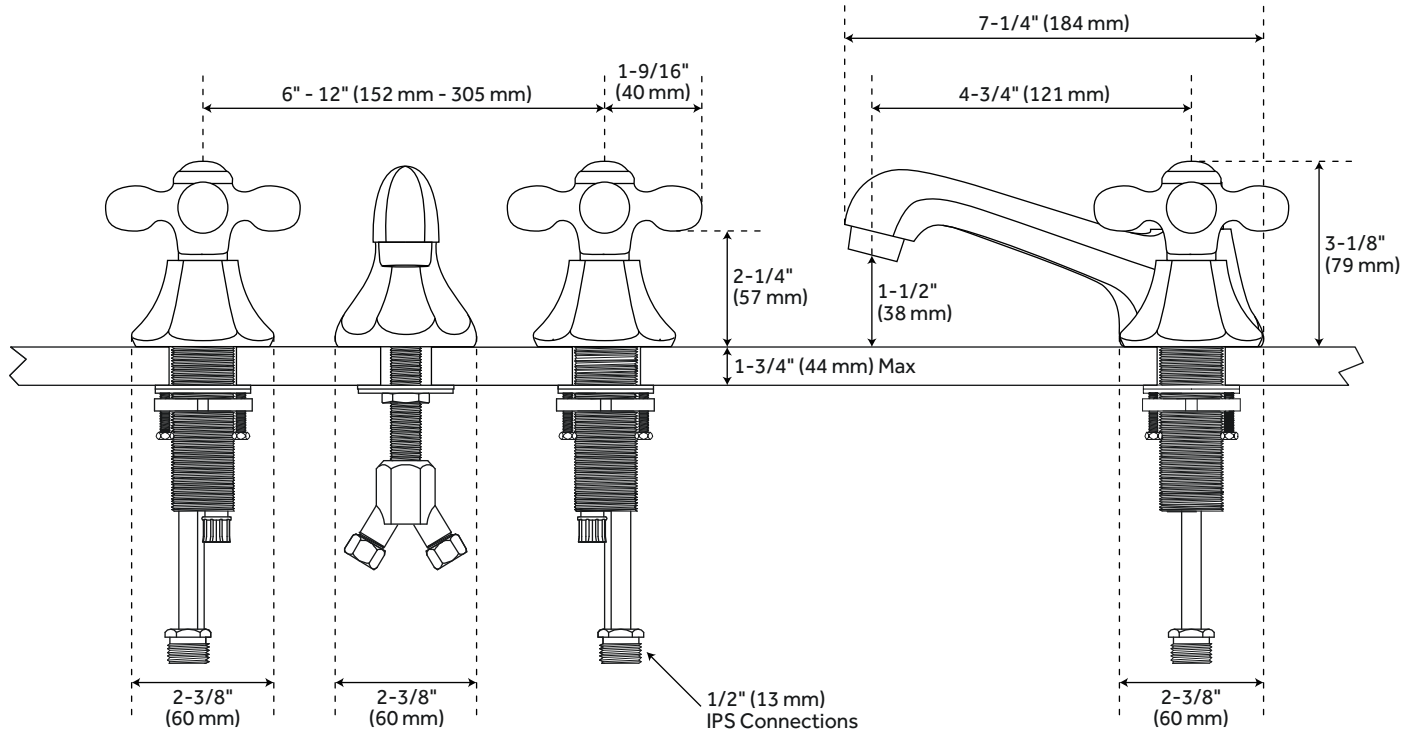
WIDESPREAD FAUCET PAGE 2

REVISED 08/31/2020

NEW YORK

WIDESPREAD BATHROOM FAUCET - CROSS HANDLES

SKU: 918900



FEATURES

Max. Countertop Thickness: 1-3/4"
Faucet Centers: 6" - 12"
Width: 7-1/4"
Height: 3-1/8"
Height To Spout: 1-1/2"
Spout Reach: 4-3/4"
Base Plate Diameter: 2-3/8"
Handle Length: 1-9/16"
Height to Bottom of Handle: 2-1/4"
IPS: 1/2"
Drain Size: 1-1/2"

CODES/STANDARDS

cUPC
ASME A112.18.1/CSA B125.1
NSF/ANSI 61
NSF/ANSI 372

PRODUCT IMAGE



All dimensions and specifications are nominal and may vary. Use actual products for accuracy in critical situations.

PAGE 2
Code: 508616, 580617, 508618, 508619, 508620