

ELNORA

BRIDGE BATHROOM FAUCET - CROSS HANDLES

SKU: 918024



FEATURES

Installation Type: Bridge
Handle Type: Cross
Overflow Hole: Yes
Design Traditional
Faucet Material: Brass
Ceramic Disc Cartridges: Yes
Hot and Cold Indicators: Yes
Drain Included: Yes
Maximum Flow Rate: 1.2 gpm (4.5 L/min)
@ 60 psi
Drain is Compatible with Sinks that have an
Overflow Hole

CONTENTS

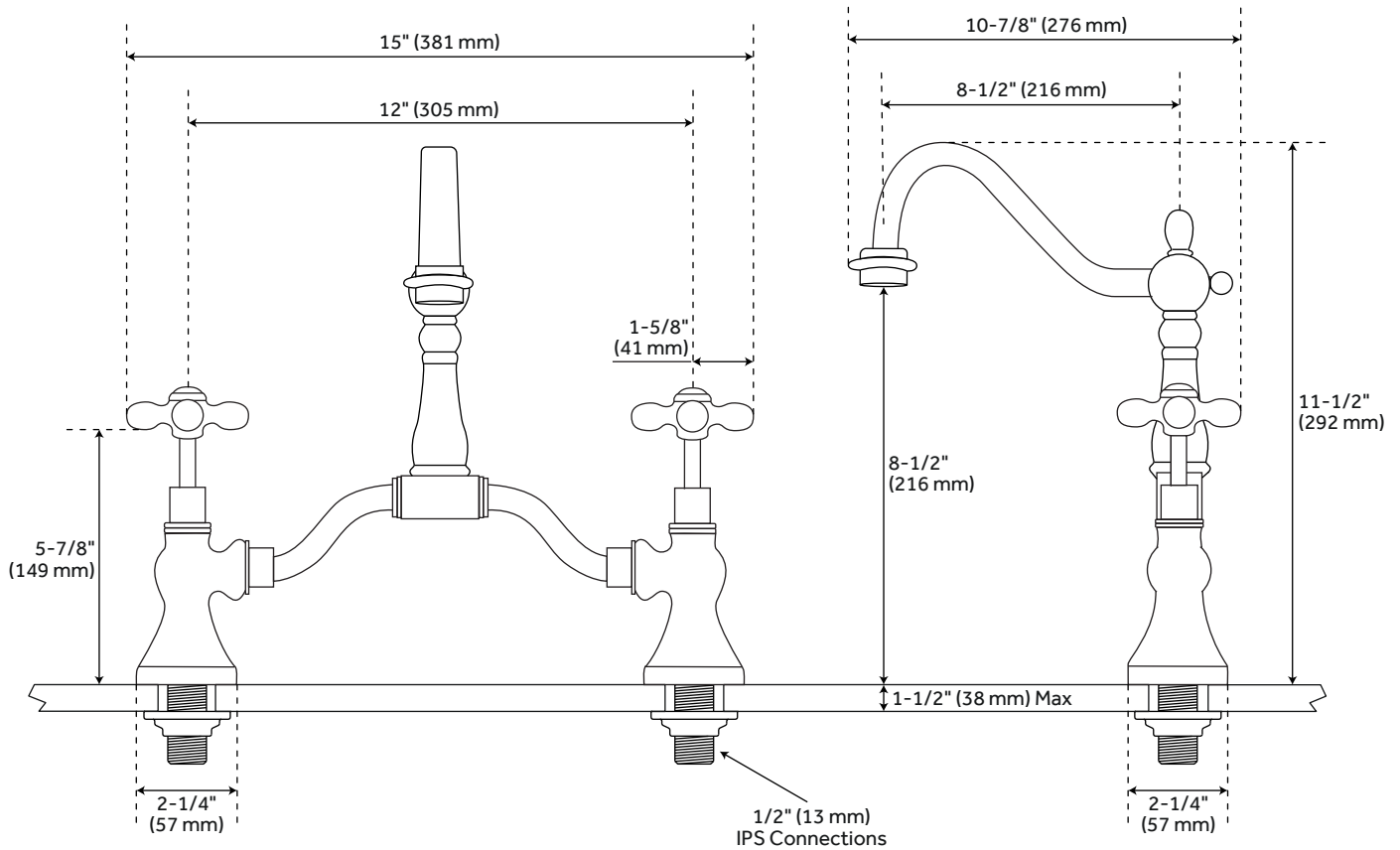
BRIDGE FAUCET PAGE 2

REVISED 04/05/2021

ELNORA

BRIDGE BATHROOM FAUCET - CROSS HANDLES

SKU: 918024



FEATURES

Max. Countertop Thickness: 1-1/2"
Faucet Centers: 12"
Length: 15"
Width: 10-7/8"
Height: 11-1/2"
Height To Spout: 8-1/2"
Spout Reach: 8-1/2"
Base Plate Diameter: 2-1/4"
Handle Length: 1-5/8"
Height to Bottom of Handle: 5-7/8"
IPS: 1/2"
Drain Size: 1-1/2"

CODES/STANDARDS

cUPC
ASME A112.18.1/CSA B125.1
NSF/ANSI 61
NSF/ANSI 372

Listed ID: 508698, 508699, 508702, 508703,
508704

PRODUCT IMAGE



All dimensions and specifications are nominal and may vary. Use actual products for accuracy in critical situations.

PAGE 2