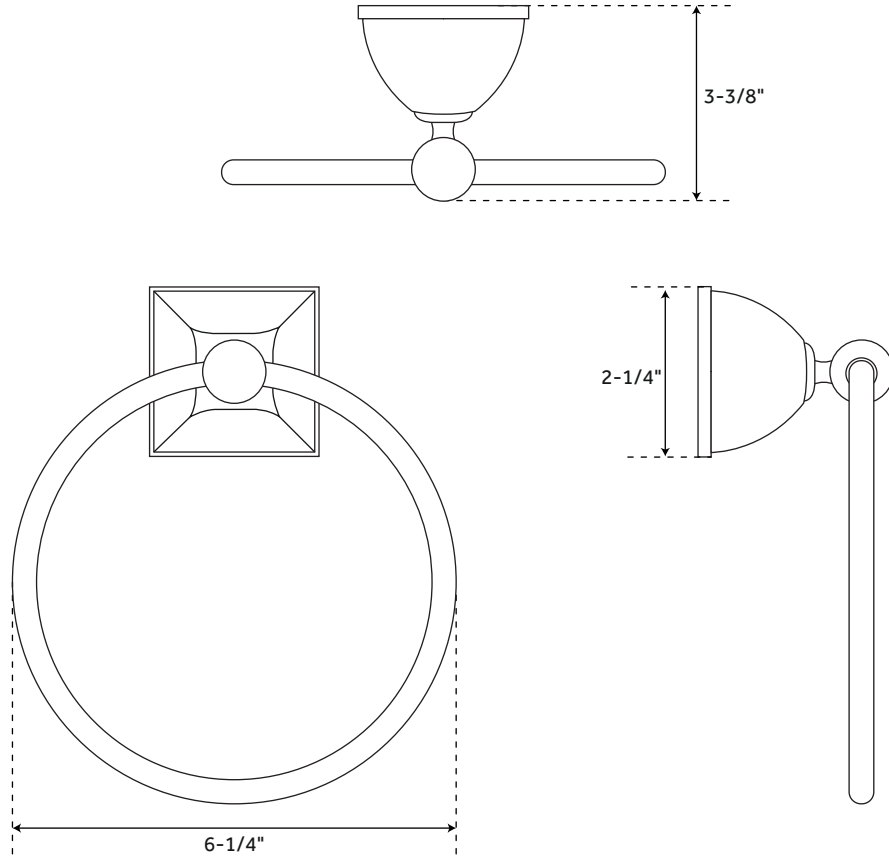


# CHAMPS

## TOWEL RING

SKU: 917754



### FEATURES

Installation Type: Wall Mount  
Design: Transitional  
Material: Brass/Zinc  
Length: 6-1/4"  
Depth: 3-3/8"  
Base Plate Length: 2-1/4"  
Base Plate Height: 2-1/4"  
Mounting Hardware Concealed: Yes  
Mounting Hardware Included: Yes

### SIGNATURE HARDWARE LIFETIME WARRANTY

See website for warranty information



All measurements are approximate. Measurements may vary +/- 1/2".

REVISED 01/30/2019