

CARINE

CAST IRON SLIPPER CLAWFOOT TUB

SKU: 915856



FEATURES

Design: Traditional
Product Finish: White
Overflow Hole: Yes
Shape: Oval
Material: Cast Iron
Interior Treatment: White Porcelain Enamel
Feet Type: Ball & Claw
Feet Material: Cast Iron
Tap Deck: No
Drain Included: No
Faucet Drillings: No Drillings
Built-In Adjusters: Yes

CONTENTS

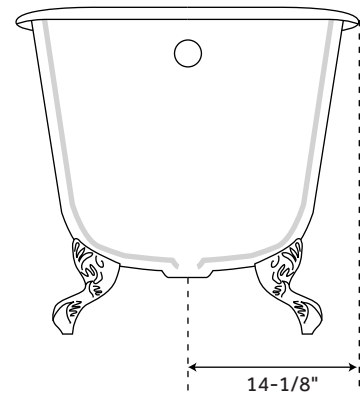
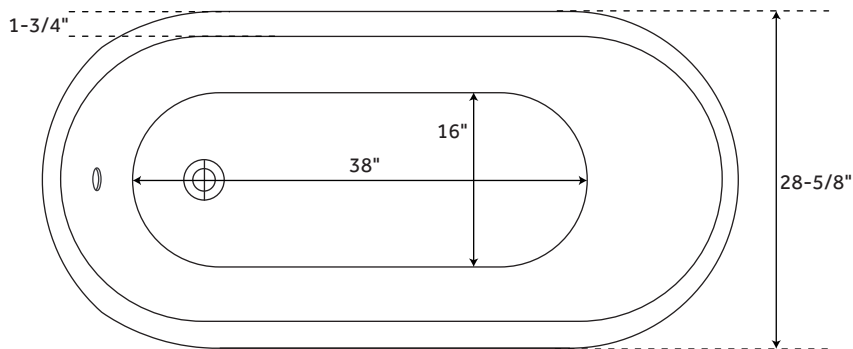
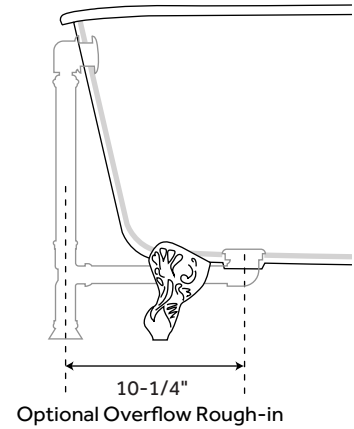
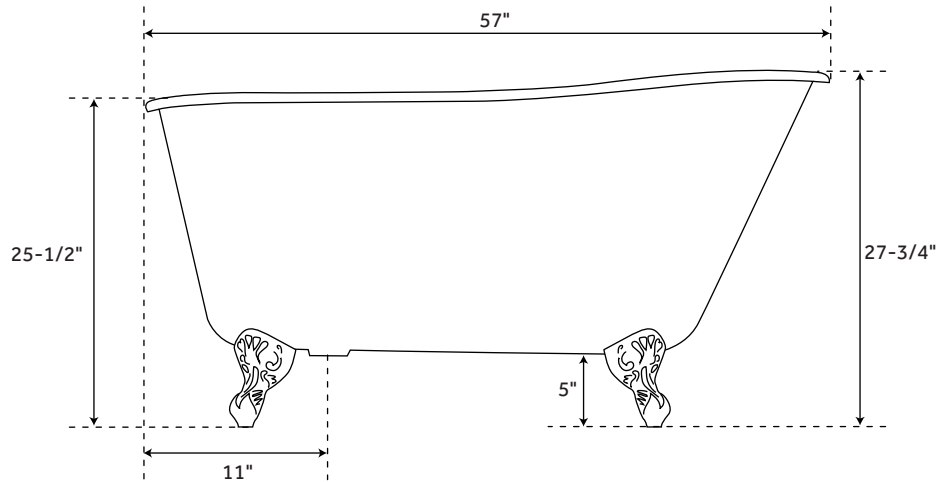
53" TUB PAGE 2
57" TUB PAGE 3

REVISED 07/27/2020

57" CARINE

CAST IRON SLIPPER CLAWFOOT TUB

SKU: 915856



FEATURES

Design: Traditional
Product Finish: White
Overflow Hole: Yes
Shape: Oval
Material: Cast Iron
Exterior Treatment: Hand-Smoothed
Painted White
Interior Treatment: White Porcelain Enamel
Feet Type: Ball & Claw
Feet Material: Cast Iron
Tap Deck: No
Drain Included: No
Faucet Drillings: No Drillings
Built-In Adjusters: Yes
Tub Weight Uncrated (lbs): 300
Tub Weight Crated (lbs): 410
Water Capacity With Overflow: 35 Gallons
Water Depth To Overflow: 15-1/2"

SIGNATURE HARDWARE LIFETIME WARRANTY

See website for warranty information



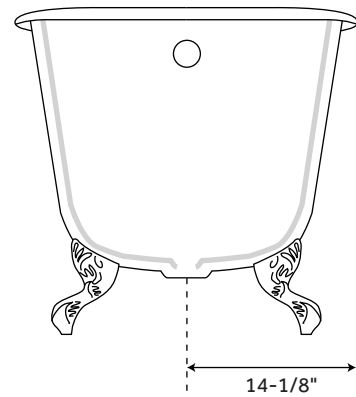
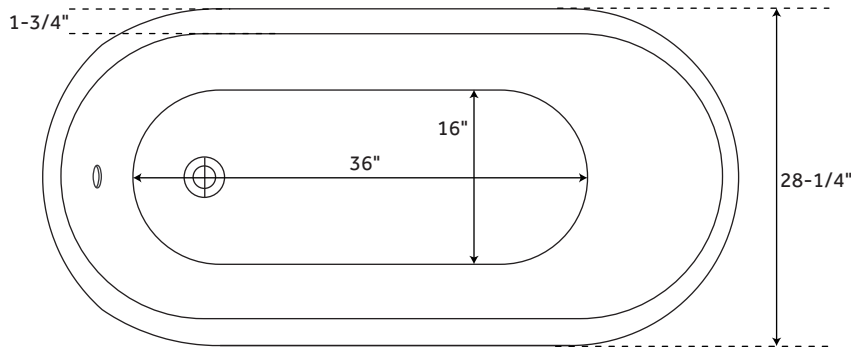
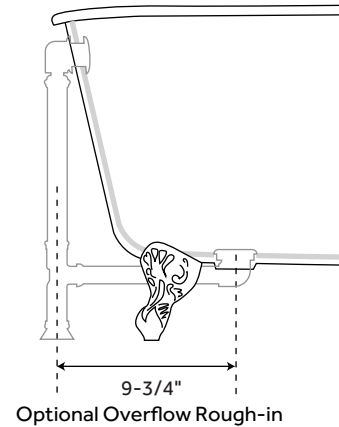
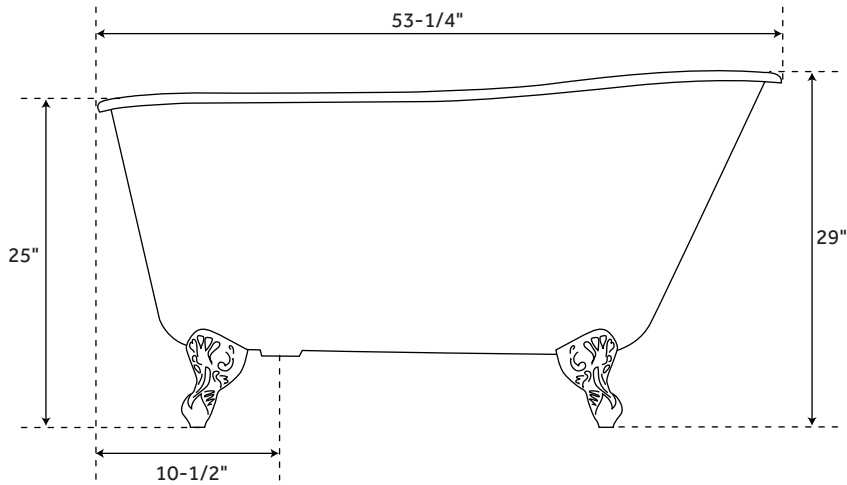
All dimensions and specifications are nominal and may vary. Use actual products for accuracy in critical situations.

PAGE 3

53" CARINE

CAST IRON SLIPPER CLAWFOOT TUB

SKU: 915856



FEATURES

Design: Traditional
Product Finish: White
Overflow Hole: Yes
Shape: Oval
Material: Cast Iron
Interior Treatment: White Porcelain Enamel
Feet Type: Ball & Claw
Feet Material: Cast Iron
Tap Deck: No
Drain Included: No
Faucet Drillings: No Drillings
Built-In Adjusters: Yes
Tub Weight Uncrated (lbs): 300
Tub Weight Crated (lbs): 410
Water Capacity With Overflow: 39 Gallons
Water Depth To Overflow: 16"

SIGNATURE HARDWARE LIFETIME WARRANTY

See website for warranty information



All dimensions and specifications are nominal and may vary. Use actual products for accuracy in critical situations.

PAGE 2