

ULTRA

ACRYLIC SLIPPER CLAWFOOT TUB

SKU: 915426



FEATURES

- 51" Dimensions: 51" L x 26" W (front to back) x 32" H ($\pm 1/2$ ").
Water capacity without/with overflow: 35/29 gallons.
Weight uncrated/crated: 62/172 lbs.
 - 55" Dimensions: 55" L x 27" W (front to back) x 32" H ($\pm 1/2$ ").
Water capacity without/with overflow: 42/35 gallons.
Weight uncrated/crated: 65/175.
 - 61" Dimensions: 61-1/2" L x 29-3/4" W (front to back) x 32" H ($\pm 1/2$ ").
Water capacity without/with overflow: 49/41 gallons. Weight uncrated/crated: 72/182 lbs.
 - 67" Dimensions: 67" L x 29-3/4" W (front to back) x 32" H ($\pm 1/2$ ").
Water capacity without/with overflow: 56/47 gallons. Weight uncrated/crated: 79/189 lbs.
- Formed of two acrylic sheets, partially filled with fiberglass and resin for added durability.
- Overflow option: includes Extended Pop-Up Drain with Swivel Head. Choose a Standard or Daisy Wheel overflow, which remain open to allow water into the drain, or the Press-and-Seal overflow, which can be closed for additional water depth.

CONTENTS

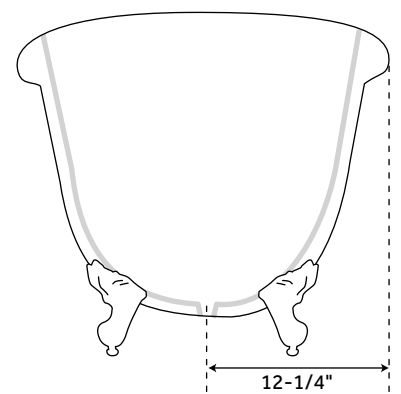
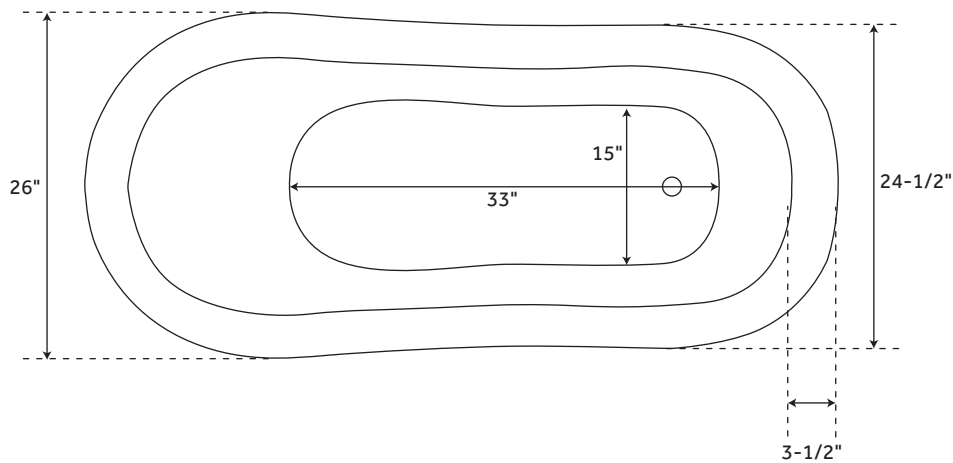
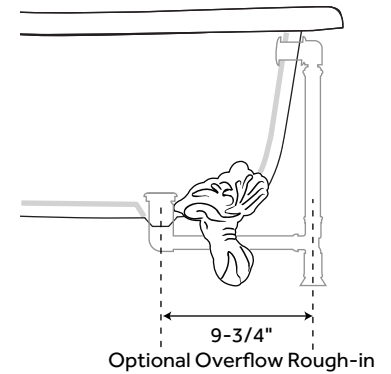
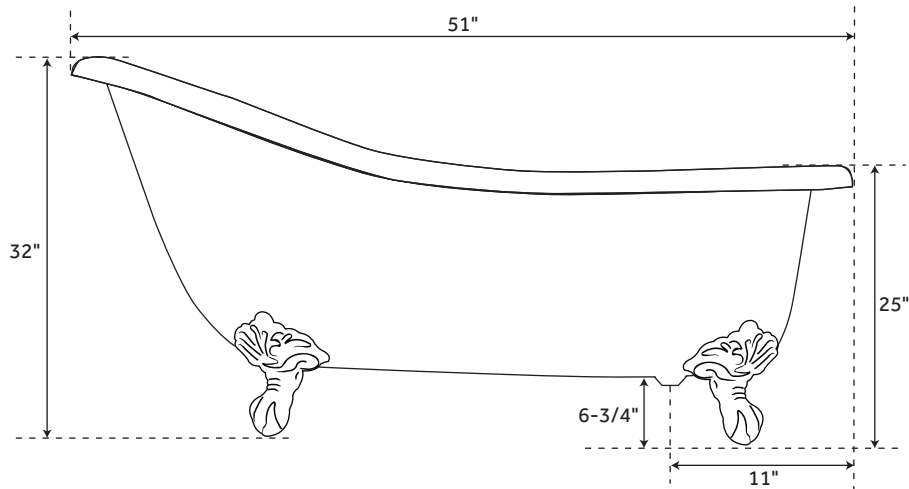
51" TUB	PAGE 2
55" TUB	PAGE 3
61" TUB	PAGE 4
67" TUB	PAGE 5

REVISED 07/28/2020

51" ULTRA

ACRYLIC SLIPPER CLAWFOOT TUB

SKU: 915426



FEATURES

- Product Finish: White
- Overflow Hole: Optional
- Shape: Oval
- Material: Acrylic
- Feet Type: Imperial
- Feet Material: Cast Aluminum
- Drain Included: Optional
- Drain Placement: End
- Faucet Included: No
- Faucet Drillings: Roll Top - No Drillings
- Built-In Adjusters: Yes
- Water Depth Without/With Overflow: 16-1/2"/13-3/4"
- Water Capacity Without/With Overflow (Gallons): 35/29
- Tub Weight Uncrated (lbs): 62
- Tub Weight Crated (lbs): 172

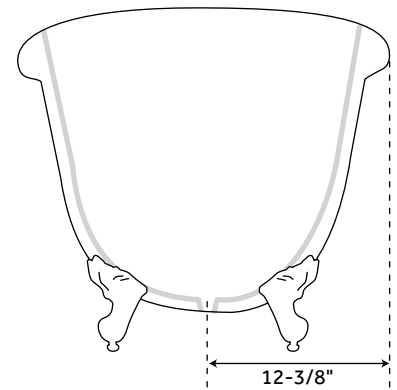
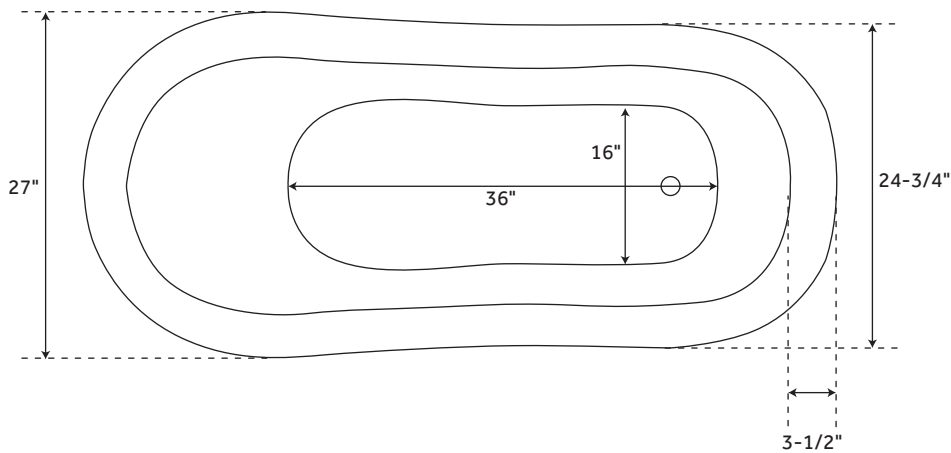
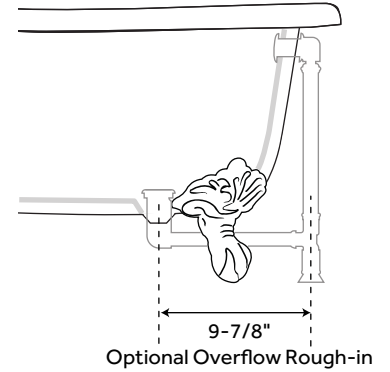
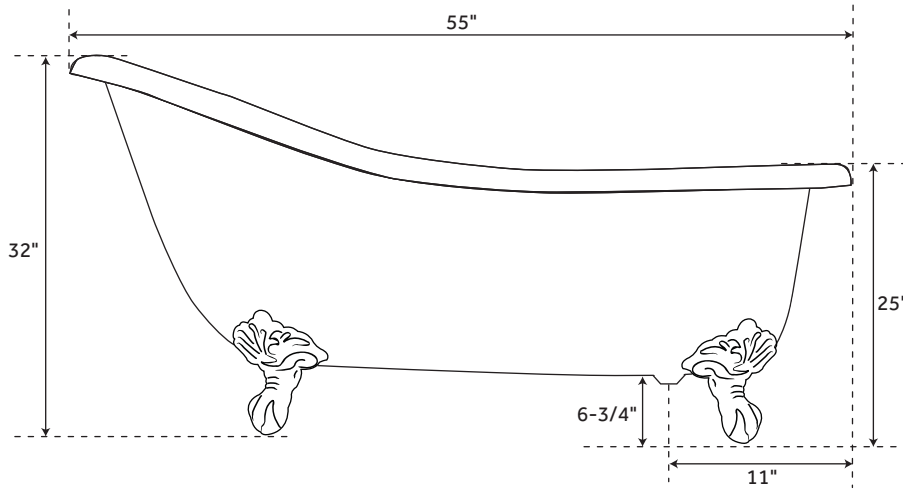
PRODUCT IMAGE



55" ULTRA

ACRYLIC SLIPPER CLAWFOOT TUB

SKU: 915426



FEATURES

- Product Finish: White
- Overflow Hole: Optional
- Shape: Oval
- Material: Acrylic
- Feet Type: Imperial
- Feet Material: Cast Aluminum
- Drain Included: Optional
- Drain Placement: End
- Faucet Included: No
- Faucet Drillings: Roll Top - No Drillings
- Built-In Adjusters: Yes
- Water Depth Without/With Overflow: 17"/14-1/4"
- Water Capacity Without/With Overflow (Gallons): 42/35
- Tub Weight Uncrated (lbs): 65
- Tub Weight Crated (lbs): 175

PRODUCT IMAGE



PAGE 3

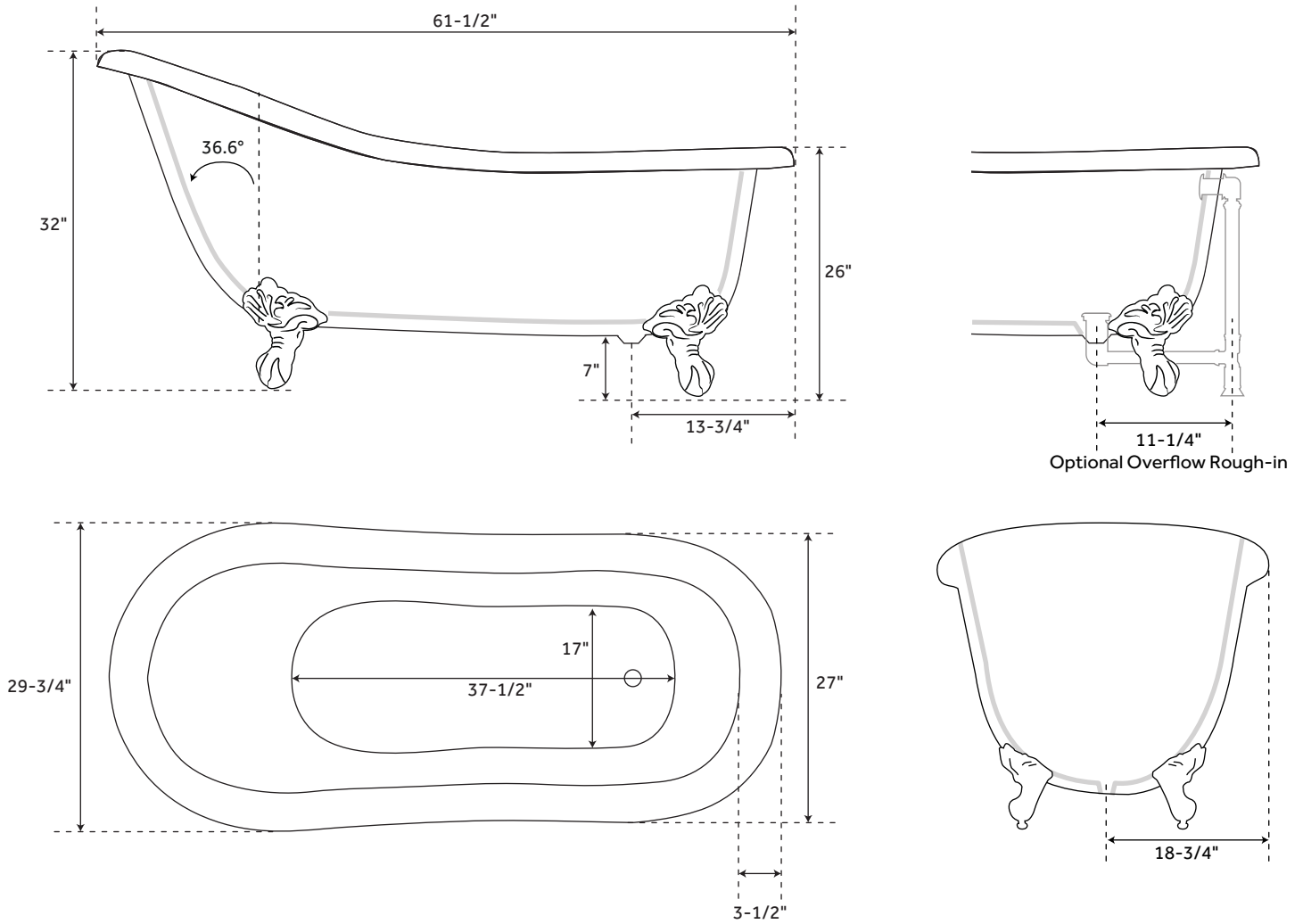
All dimensions and specifications are nominal and may vary. Use actual products for accuracy in critical situations.

Code: 297371, 297370, 313254

61" ULTRA

ACRYLIC SLIPPER CLAWFOOT TUB

SKU: 915426



FEATURES

- Product Finish: White
- Overflow Hole: Optional
- Shape: Oval
- Material: Acrylic
- Feet Type: Imperial
- Feet Material: Cast Aluminum
- Drain Included: Optional
- Drain Placement: End
- Faucet Included: No
- Faucet Drillings: Roll Top - No Drillings
- Built-In Adjusters: Yes
- Water Depth Without/With Overflow: 18"/15-1/4"
- Water Capacity Without/With Overflow (Gallons): 49/42
- Tub Weight Uncrated (lbs): 72
- Tub Weight Crated (lbs): 182

PRODUCT IMAGE



All dimensions and specifications are nominal and may vary. Use actual products for accuracy in critical situations.

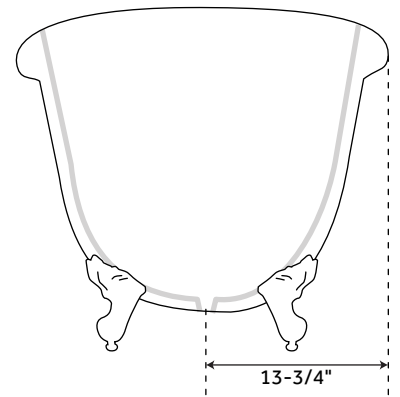
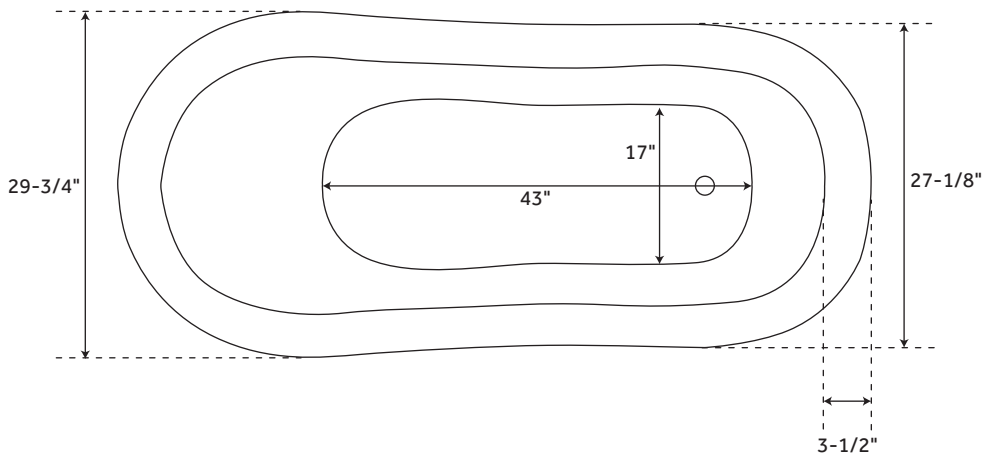
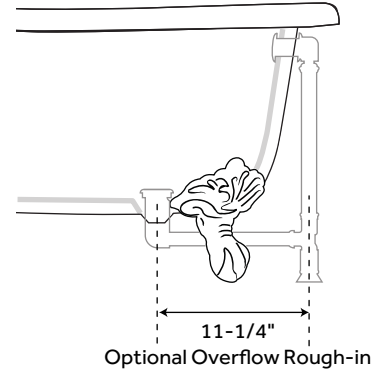
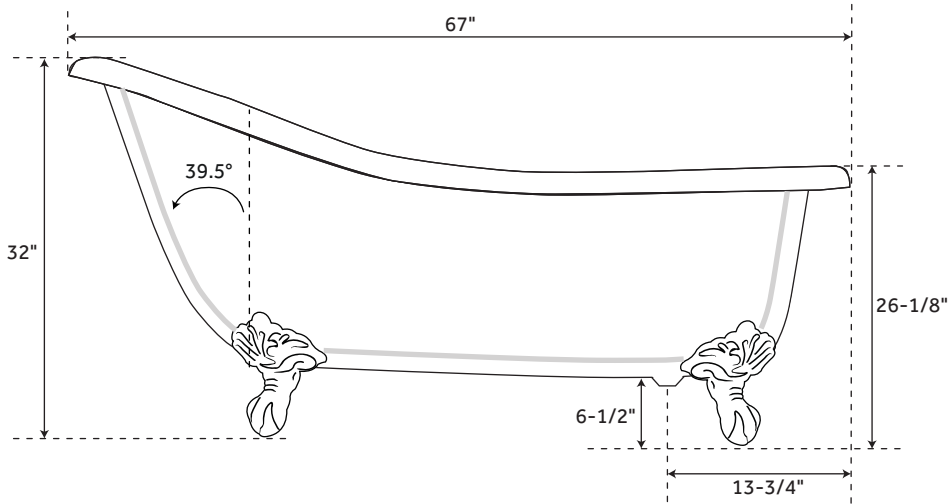
PAGE 4

Code: 515113

67" ULTRA

ACRYLIC SLIPPER CLAWFOOT TUB

SKU: 915426



FEATURES

- Product Finish: White
- Overflow Hole: Optional
- Shape: Oval
- Material: Acrylic
- Feet Type: Imperial
- Feet Material: Cast Aluminum
- Drain Included: Optional
- Drain Placement: End
- Faucet Included: No
- Faucet Drillings: Roll Top - No Drillings
- Built-In Adjusters: Yes
- Water Depth Without/With Overflow: 18"/15-1/4"
- Water Capacity Without/With Overflow (Gallons): 56/48
- Tub Weight Uncrated (lbs): 79
- Tub Weight Crated (lbs): 189

PRODUCT IMAGE



All dimensions and specifications are nominal and may vary. Use actual products for accuracy in critical situations.

PAGE 5

Code: 515117