

68" SERAFINI

ACRYLIC FREESTANDING TUB

SKU: 913494



FEATURES

Product Finish: White
Overflow Hole: Yes
Integral Drain & Overflow: Yes
Shape: Rectangle
Material: Acrylic
Length: 68"
Width: 30"
Height: 23"
Tub Interior Length: 45"
Tub Interior Width: 17-1/2"
Water Depth to Rim: 17-5/8"
Water Depth to Overflow: 15-1/4"
Tap Deck: No
Drain Included: Yes
Drain Placement: Offset
Faucet Included: No
Faucet Drillings: No Drillings
Water Capacity (Gallons): 61
Built-In Adjusters: Yes
Tub Weight Uncrated (lbs): 150
Tub Weight Crated (lbs): 260

SIGNATURE HARDWARE Lifetime Warranty

See website for detailed warranty information.

CONTENTS

AIR TUB	PAGE 2
68" TUB	PAGE 3

REVISED 10/07/2019

68" SERAFINI AIR TUB

COMPONENTS LIST

- BM-TWP BALL CHECK VALVE JETS
- MANI-SD-A SECURITY DEVICE
- MAN-A-4-AC MANIFOLD
- SILVER SLS+ VARIABLE SPEED BLOWER

INSTALLATION

Install blower behind a wall (with an access panel) or in a closet. Blower can also be installed under floor. Ensure the security device, MANI-DS-A, is at least:

- 2" Above the tub rim

Security device and hose can be mounted in wall

REMOTE CONTROL

- CG+/RTC-SENSOR-WP
- 12 – 15 YEAR BATTERY LIFE

INSIDE OF BATH

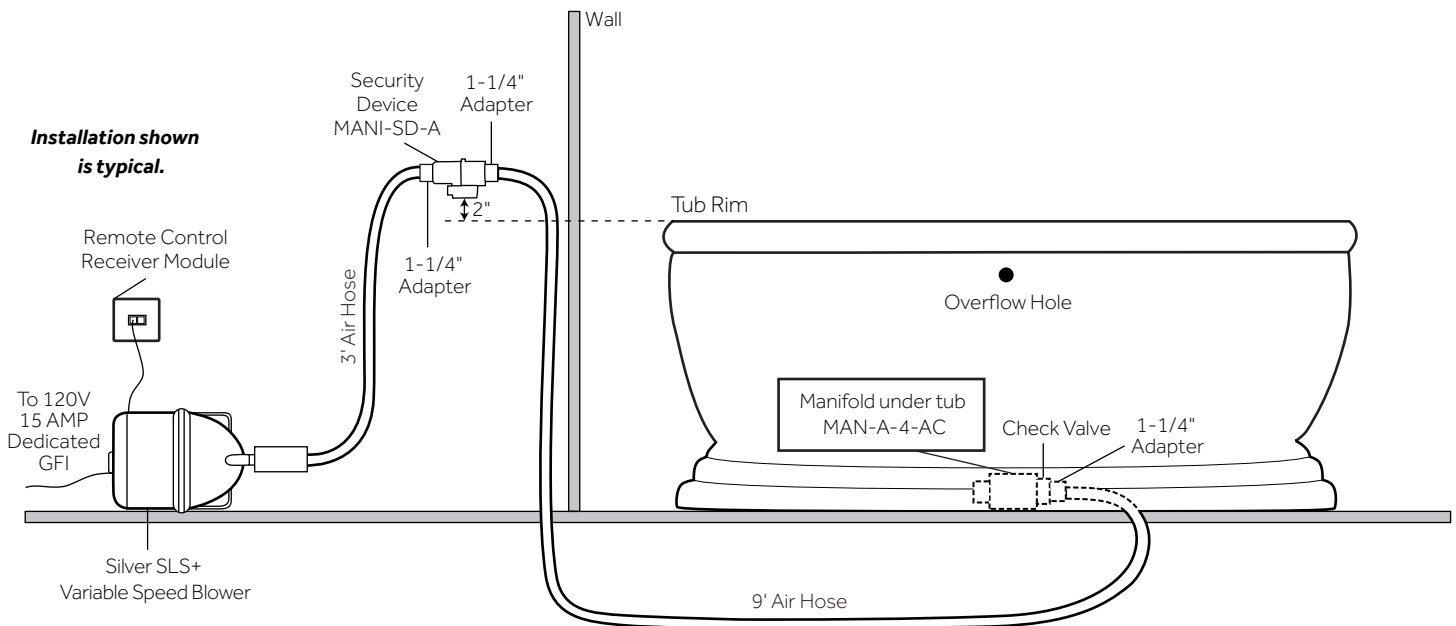
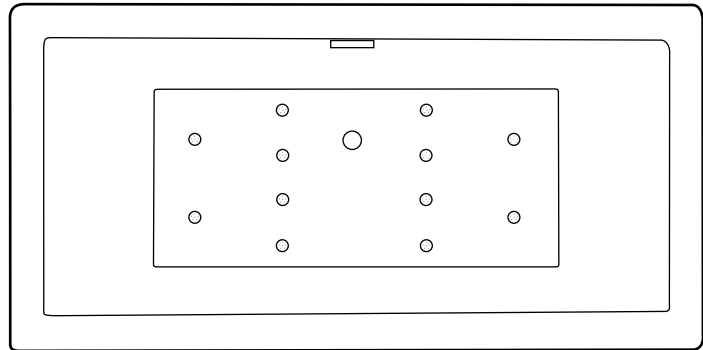
- (12) MAXI AIR JETS WITH 24 OPENINGS



ELBOWS FOR AIR JETS



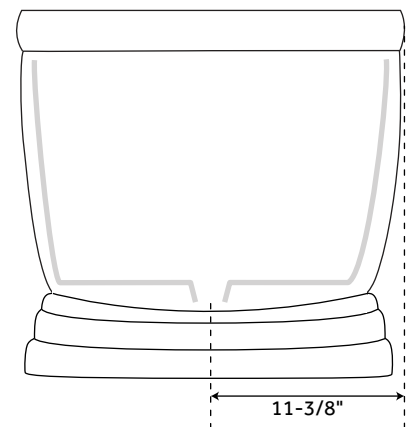
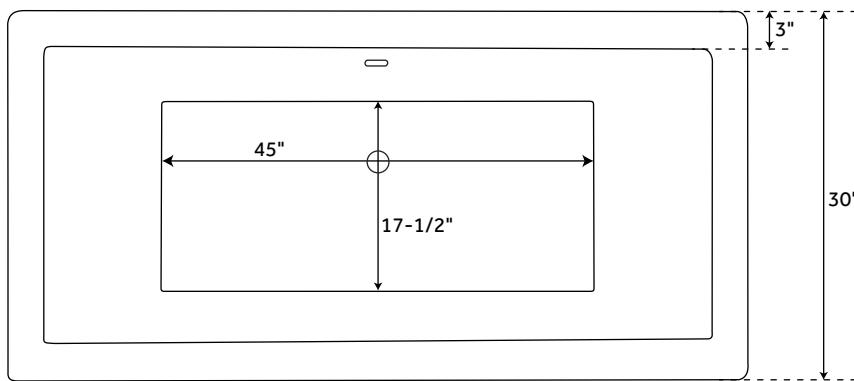
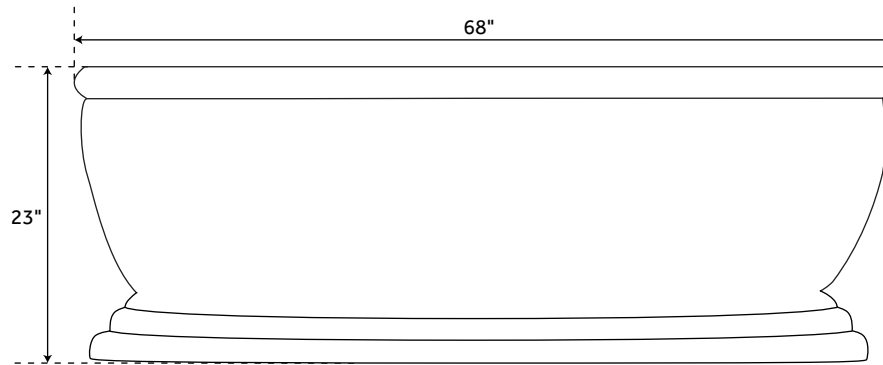
TEES FOR AIR JETS



68" SERAFINI

ACRYLIC FREESTANDING TUB

SKU: 913494



FEATURES

- Product Finish: White
- Overflow Hole: Yes
- Integral Drain & Overflow: Yes
- Shape: Rectangle
- Material: Acrylic
- Length: 68"
- Width: 30"
- Height: 23"
- Tub Interior Length: 45"
- Tub Interior Width: 17-1/2"
- Water Depth to Rim: 17-5/8"
- Water Depth to Overflow: 15-1/4"
- Tap Deck: No
- Drain Included: Yes
- Drain Placement: Offset
- Faucet Included: No
- Faucet Drillings: No Drillings
- Water Capacity (Gallons): 61
- Built-In Adjusters: Yes
- Tub Weight Uncrated (lbs): 150
- Tub Weight Crated (lbs): 260

SIGNATURE HARDWARE LIFETIME WARRANTY

See website for warranty information



All dimensions and specifications are nominal and may vary. Use actual products for accuracy in critical situations.

PAGE 3