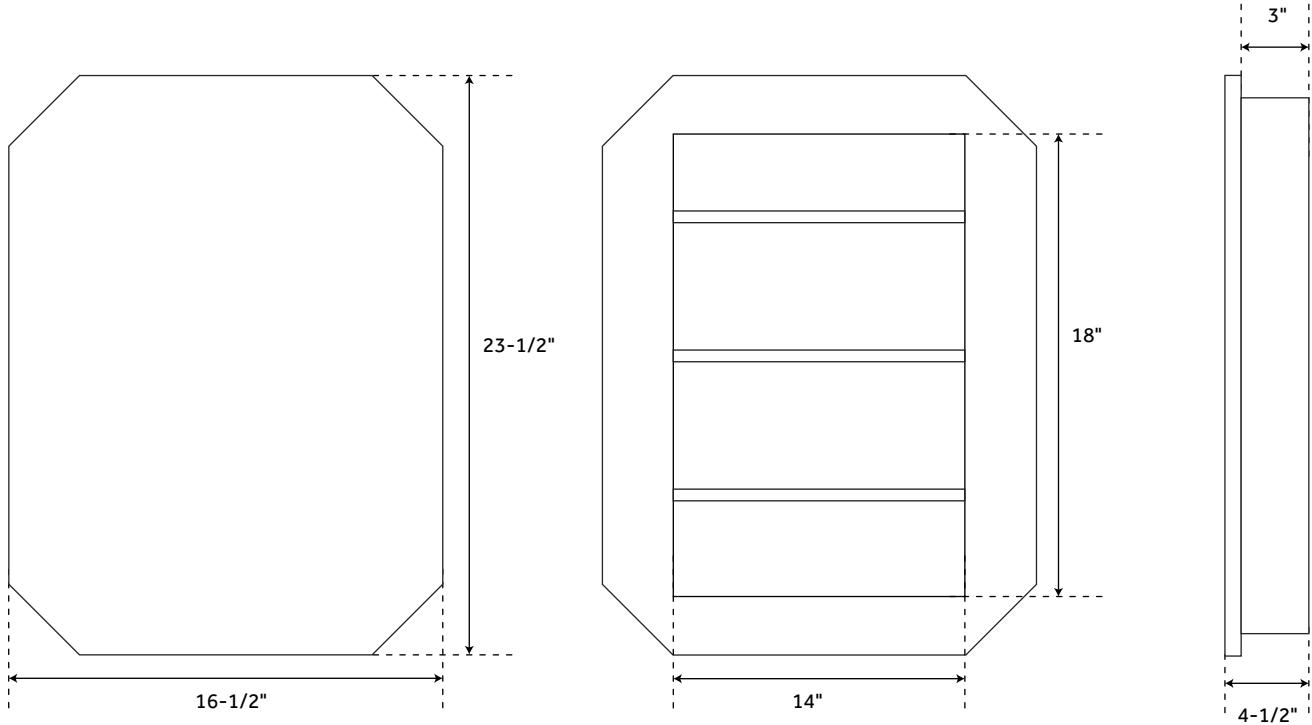


OXFORD

STEEL MEDICINE CABINET WITH BEVELED GLASS

SKU: 911150



FEATURES

Features: Frameless, Mirrored
Material: Steel
Design: Traditional
Mirror Shape: Rectangle
Number of Doors: 1
Width: $16\frac{1}{2}$ "
Height: $23\frac{1}{2}$ "
Depth: $4\frac{1}{2}$ "
Assembly Required: No
Door Opens: Reversible
Number of Shelves: 3
Adjustable Shelves: Yes
Recess mount requires rough opening of:
 14 " L x 3 " W (front to back) x 18 " H ($\pm 1/2$ ")
Storage Depth: 4 "

SIGNATURE HARDWARE LIFETIME WARRANTY

See website for warranty information



All dimensions and specifications are nominal and may vary. Use actual products for accuracy in critical situations.

REVISED 08/28/2019